

FIRE HYDRANT CLASSIC

with incorporated bend

DN 100 - PN16

07.201



Product description

- Fire hydrant series CLASSIC with incorporates bend prepared for water supply in firefighting, supply of potable water and filtered neutral liquids
- Service temperature from 0°C (excluding frost) to 70°C
- Maximum allowable operating pressure (PFA); Allowable maximum operating pressure PN20 (PMA); Allowable test pressure PN25 (PEA)

Standards

- Designed according to EN14384 and EN 1074-6
- Flange drilling to EN 1092-2

Tests

All fire hydrant are individually hydrostatically tested according to EN 1074-6 and EN 14384

Corrosion protection

- Epoxy coating inside and outside, approved for potable water, with a minimum thickness of 250 µm, approved epoxy coating fusion bonded according EN 14901-1 and GSK approved; the exterior above the ground line is coated with a second finish in enamel and polyurethane, in a red colour resistant to UV rays

Approvals

- Certified according to EN 14384: Certif certificate ESI-001/2023
- CE mark according to EN 14384: Performance Statement certificate 1328-CPR-0065
- ACS Potability Certificate 23 ACC NY 534
- GSK Epoxy Coating Certificate GSK-ID:1247 (RAL-GZ 662)

Others

- Fucoli-Somepal is registered with the ANPC under No. 197 (under Ordinance 773/2009)
- Fucoli-Somepal is vogal at CT 46/SC2/SG1-1 (hydrant)

Features

- For water supply in fire fighting and supply of drinking water and neutral liquids
- Simple installation and quick operation
- When installed and after loosening the fusible flange bolts, they allow the upper body to rotate 360°
- Equipped with storz plugs that include a depressurization mechanism that makes it possible to release the internal pressure
- Easy maintenance, with removable sealing system, without having to remove the hydrant from the pipeline
- In the event of an occasional impact that causes a break, sectioning of the frame occurs through the fracture of the fuse flange, allowing its repair under load using only the replacement kit
- Fire frame comes equipped with an integrated drainage system (dry column - Type C). When the column is closed, it automatically empties. Landmark drain time 6,4 minutes
- Fire frame supplied as standard with DN100 double flanged 90° duckfoot bend, on request it can be supplied with movable flanged uPVC socket 90° duckfoot bend, on request it can be supplied with flanged reduction bend of DN100/80, or flange/mouth bend for PVC pipe DN100/110 or DN100/90 with duckfoot
- Accessories: key for fire hydrants [ref.07.500], key for inviolable blank caps [ref. 07.500] and replacement kit [ref. 07.501]
- On request, the fire hydrant can be supplied in other colours; with red bonnet; stem in stainless steel AISI 316L or other; inviolable bank cap or seals in NBR.



Fucoli-Somepal
FUNDAÇÃO DE FERRO, S. A.

Visit our website at www.fucoli-somepal.pt

Head office: Estrada de Coselhas, 3000-125 Coimbra – Portugal | Tel.: (+351) 239 490100

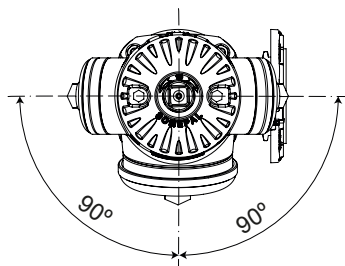
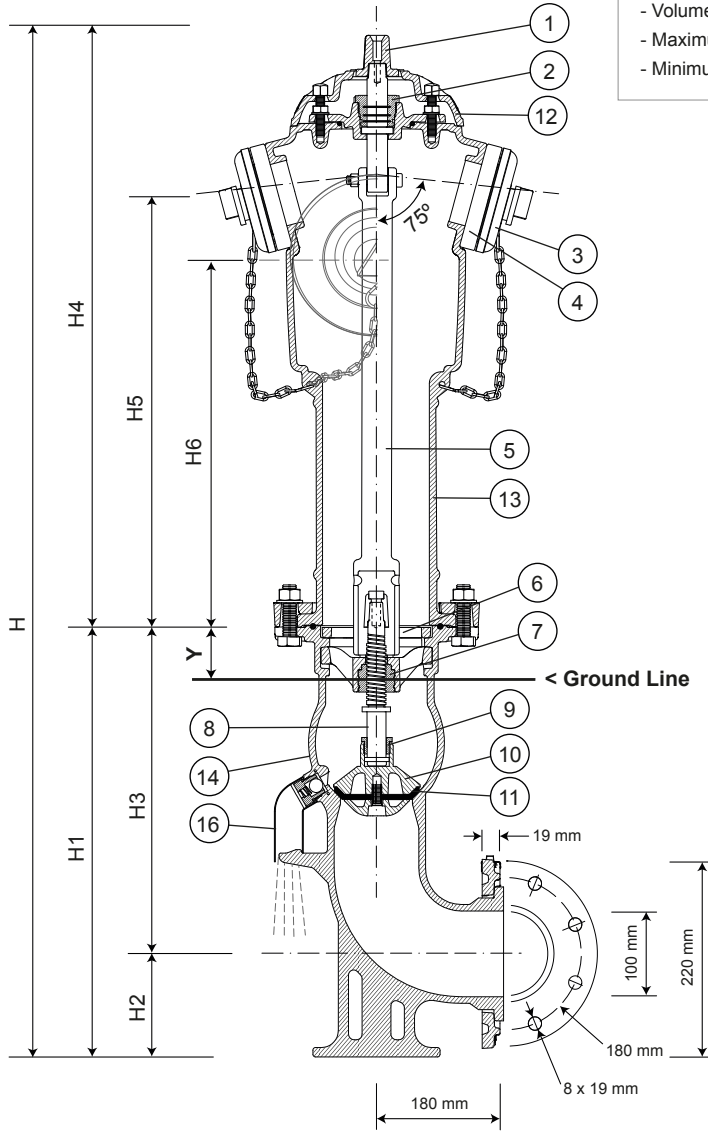
Branch office: Rua de Aveiro 50, 3050-420 Pampilhosa – Portugal | Tel.: (+351) 239 490100 | comercial@fucoli-somepal.pt

FIRE HYDRANT CLASSIC
with incorporated bend
DN 100 - PN16

07.201



Classic



Terms of use

- Allowable operating pressure (PFA) 16 bar
- Number of turns to open fully: 10 turns left
- Drain valve maximum flow time 6,4 min/m
- Volume of retained water 10 ml
- Maximum operating torque (MOT): 125Nm
- Minimum strength torque (mST): 250Nm



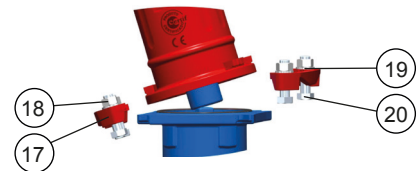
Anti-theft storz



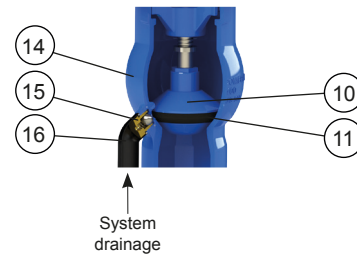
Inviolable storz



Personalized colour



In case of occasional impact, use only the replacement kit



HYDRAULIC CHARACTERISTICS
Minimum flow coefficient for
different connection types
and MI height

| storz | (Kv) |
|--------------|------|
| 52 (DN 50) | 69 |
| 75 (DN 65) | 112 |
| 110 (DN 100) | 164 |

FIRE HYDRANT CLASSIC

with incorporated bend

DN 100 - PN16

07.201



continued from previous page

Component list

| pos | components | material | standard |
|-----|----------------------|---------------------------|--------------|
| 1 | Stem cap | Ductile iron EN-GJS-500-7 | EN 1563 |
| 2 | Upper body gland | Brass | EN 12164 |
| 3 | Storz cap | Aluminium | - |
| 4 | Storz coupling | Aluminium | - |
| 5 | Upper stem rod | Ductile iron EN-GJS-500-7 | EN 1563 |
| 6 | Support | Ductile iron EN-GJS-500-7 | EN 1563 |
| 7 | Wedge nut | Brass | EN 12164 |
| 8 | Stem | Stainless steel AISI 420 | EN 10088 - 1 |
| 9 | Obturator fixed nut | Brass | EN 12164 |
| 10 | Obturator | Ductile iron EN-GJS-500-7 | EN 1563 |
| 11 | Obturator joint | Elastomer EPDM WA | EN 681 - 1 |
| 12 | Cover | Ductile iron EN-GJS-500-7 | EN 1563 |
| 13 | Body superior | Ductile iron EN-GJS-500-7 | EN 1563 |
| 14 | Body inferior | Ductile iron EN-GJS-500-7 | EN 1563 |
| 15 | Automatic ball drain | Brass | - |
| 16 | Drain pipe | PE | - |
| 17 | Flange fuse | Ductile iron EN-GJS-500-7 | EN 1563 |
| 18 | Nuts | Stainless steel A4 | EN 10088 - 1 |
| 19 | Washers | Stainless steel A2 | EN 10088 - 1 |
| 20 | Bolts | Stainless steel A2 | EN 10088 - 1 |

Reference and dimensions

| DN | code | Y mm | H mm | H1 mm | H2 mm | H3 mm | H4 mm | H5 mm | H6 mm | water outlets | | | turns to open | Kg approx. |
|-----|-------------|---------|---------|----------|----------|----------|----------|----------|----------|------------------|-------|---------|------------------|---------------|
| | | | | | | | | | | type | front | side | | |
| 100 | 11209710 | 60 | 1200 | 500 | 120 | 380 | 700 | 505 | 435 | Anti-theft storz | 110 | 75 52 | 10 | 53 |
| 100 | 11209720 | 60 | 1200 | 500 | 120 | 380 | 700 | 505 | 435 | Anti-theft storz | 110 | 75 75 | 10 | 53 |
| 100 | 11209700 | 60 | 1200 | 500 | 120 | 380 | 700 | 505 | 435 | Anti-theft storz | 75 | 52 52 | 10 | 53 |
| 100 | 11209710INV | 60 | 1200 | 500 | 120 | 380 | 700 | 505 | 435 | Inviolable storz | 110 | 75 52 | 10 | 53 |
| 100 | 11209720INV | 60 | 1200 | 500 | 120 | 380 | 700 | 505 | 435 | Inviolable storz | 75 | 52 52 | 10 | 53 |
| 100 | - | 60 | 1200 | 500 | 120 | 380 | 700 | 505 | 435 | Guillemin | 100 | 65 65 | 10 | 62 |