

ALL FLANGED TEE

Flanged fittings

DN 40 - 1000 PN10/16

11.2200



Product description

- All flanged tee for waste water

Standards

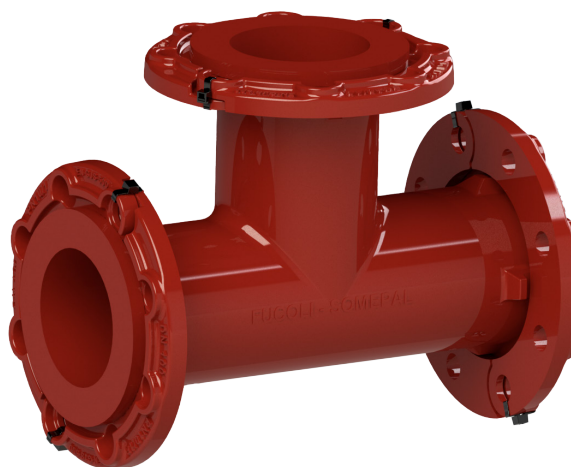
- Designed according to EN 545
- Flange drilling to EN 1092-2 PN10/16

Corrosion protection

- Epoxy powder coating RAL 3011
- Applied internal and external with a minimum coating thickness of 250 µm
- Fusion bonded epoxy coating according EN 14901 and GSK (RAL-GZ662) guidelines

Features

- Fitting for waste water
- Body and flange in ductile cast iron EN-GJS-500-7
- Fast and easy to install
- Accessory with movable flanges up to DN 600 (inclusive) and fixed flanges from DN 700
- The flanged fittings for sewerage applications from Fucoli-Somepal have CE mark in accordance with standard EN 598 annex ZA.



Fucoli Somepal
FUNDAÇÃO DE FERRO, S. A.

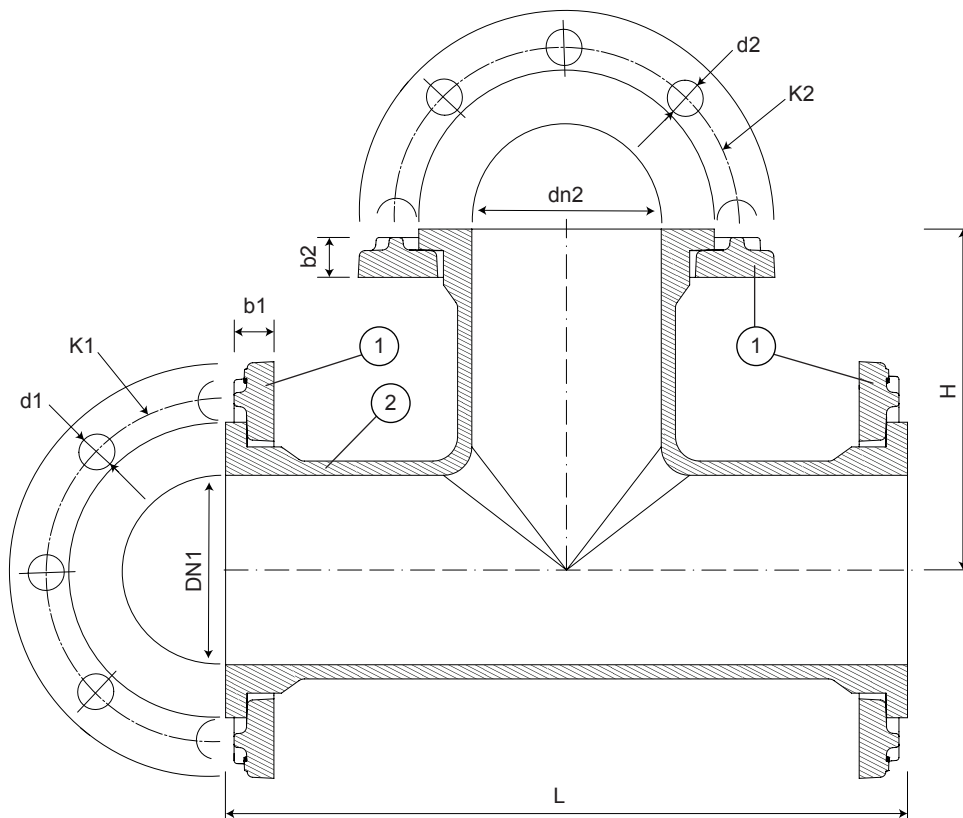
Visit our website at www.fucoli-somepal.pt

Head office: Estrada de Coselhas, 3000-125 Coimbra – Portugal | Tel.: (+351) 239 490100 | Fax: (+351) 239 490198

Branch office: Rua de Aveiro 50, 3050-420 Pampilhosa – Portugal | Tel.: (+351) 239 490100 | Fax: (+351) 231 949292 | comercial@fucoli-somepal.pt

ALL FLANGED TEE
Flanged fittings
DN 40 - 1000 PN10/16

11.2200



DN 40 to DN 600



DN 700 to DN 1000

Component list

pos.	components	material	standard
1	Flange	Ductile iron EN-GJS-500-7	EN 1563
2	Body	Ductile iron EN-GJS-500-7	EN 1563

Reference and dimensions

DN1 x dn2	PN	code	L mm	H mm	K1 mm	n° x d1 mm	b1 mm	K2 mm	n° x d2 mm	b2 mm	Flange movable / fixed	Kg approx.
40 x 40	10/16	10028001	255	130	110	4 x 19	21	110	4 x 19	21	movable	8
50 x 40	10/16	10028002	280	130	125	4 x 19	21	110	4 x 19	21	movable	10
50 x 50	10/16	10028003	280	140	125	4 x 19	21	125	4 x 19	21	movable	10
60 x 40	10/16	10028004	305	130	135	4 x 19	21	110	4 x 19	21	movable	11
60 x 50	10/16	10028005	305	150	135	4 x 19	21	125	4 x 19	21	movable	11
60 x 60	10/16	10028006	305	150	135	4 x 19	21	135	4 x 19	21	movable	11
65 x 40	10/16	10028007	305	130	145	4 x 19	21	110	4 x 19	21	movable	11
65 x 50	10/16	10028008	305	150	145	4 x 19	21	125	4 x 19	21	movable	12
65 x 60	10/16	10028009	305	150	145	4 x 19	21	135	4 x 19	21	movable	12
65 x 65	10/16	10028010	305	150	145	4 x 19	21	145	4 x 19	21	movable	12
80 x 40	10/16	10028011	310	135	160	8 x 19	21	110	4 x 19	21	movable	13
80 x 50	10/16	10028012	310	155	160	8 x 19	21	125	4 x 19	21	movable	13
80 x 60	10/16	10028013	310	155	160	8 x 19	21	135	4 x 19	21	movable	13
80 x 65	10/16	10028014	310	155	160	8 x 19	21	145	4 x 19	21	movable	14
80 x 80	10/16	10028015	330	165	160	8 x 19	21	160	8 x 19	21	movable	15
100 x 40	10/16	10028016	320	145	180	8 x 19	21	110	4 x 19	21	movable	15
100 x 50	10/16	10028017	320	165	180	8 x 19	21	125	4 x 19	21	movable	16
100 x 60	10/16	10028018	320	165	180	8 x 19	21	135	4 x 19	21	movable	16
100 x 65	10/16	10028019	320	165	180	8 x 19	21	145	4 x 19	21	movable	17
100 x 80	10/16	10028020	330	170	180	8 x 19	21	160	8 x 19	21	movable	18

continued on next page

ALL FLANGED TEE

Flanged fittings

DN 40 - 1000 PN10/16

11.2200



continued from previous page

Reference and dimensions

DN1 x dn2	PN	code	L mm	H mm	K1 mm	n° x d1 mm	b1 mm	K2 mm	n° x d2 mm	b2 mm	Flange movable / fixed	Kg approx.
100 x 100	10/16	10028021	360	180	180	8 x 19	21	180	8 x 19	21	movable	18
125 x 40	10/16	10028022	330	160	210	8 x 19	21	110	4 x 19	21	movable	17
125 x 50	10/16	10028023	330	180	210	8 x 19	21	125	4 x 19	21	movable	18
125 x 60	10/16	10028024	330	180	210	8 x 19	21	135	4 x 19	21	movable	19
125 x 65	10/16	10028025	330	180	210	8 x 19	21	145	4 x 19	21	movable	19
125 x 80	10/16	10028026	350	185	210	8 x 19	21	160	8 x 19	21	movable	19
125 x 100	10/16	10028027	370	195	210	8 x 19	21	180	8 x 19	21	movable	21
125 x 125	10/16	10028028	400	200	210	8 x 19	21	210	8 x 19	21	movable	23
150 x 40	10/16	10028029	340	170	240	8 x 23	21	110	4 x 19	21	movable	23
150 x 50	10/16	10028030	340	190	240	8 x 23	21	125	4 x 19	21	movable	23
150 x 60	10/16	10028031	340	190	240	8 x 23	21	135	4 x 19	21	movable	24
150 x 65	10/16	10028032	340	190	240	8 x 23	21	145	4 x 19	21	movable	24
150 x 80	10/16	10028033	360	200	240	8 x 23	21	160	8 x 19	21	movable	25
150 x 100	10/16	10028034	380	205	240	8 x 23	21	180	8 x 19	21	movable	26
150 x 125	10/16	10028035	410	215	240	8 x 23	21	210	8 x 19	21	movable	27
150 x 150	10/16	10028036	440	220	240	8 x 23	21	240	8 x 23	21	movable	30
175 x 80	10/16	10028240	480	215	270	8 x 23	21	160	8 x 19	21	movable	30
175 x 100	10/16	10028241	480	215	270	8 x 23	21	180	8 x 19	21	movable	31
175 x 125	10/16	10028242	480	240	270	8 x 23	21	210	8 x 19	21	movable	33
175 x 150	10/16	10028243	480	240	270	8 x 23	21	240	8 x 23	21	movable	35
175 x 175	10/16	10028244	480	240	270	8 x 23	21	270	8 x 23	21	movable	36
200 x 50	10/16	10028038	365	195	295	8 - 12 x 23	22	125	4 x 19	21	movable	30
200 x 60	10/16	10028039	365	215	295	8 - 12 x 23	22	135	4 x 19	21	movable	30
200 x 65	10/16	10028040	365	215	295	8 - 12 x 23	22	145	4 x 19	21	movable	31
200 x 80	10/16	10028041	380	225	295	8 - 12 x 23	22	160	8 x 19	21	movable	32
200 x 100	10/16	10028042	400	230	295	8 - 12 x 23	22	180	8 x 19	21	movable	34
200 x 125	10/16	10028043	435	240	295	8 - 12 x 23	22	210	8 x 19	21	movable	36
200 x 150	10/16	10028044	460	245	295	8 - 12 x 23	22	240	8 x 23	21	movable	41
200 x 175	10/16	10028245	520	260	295	8 - 12 x 23	22	270	8 x 23	21	movable	42
200 x 200	10/16	10028045	520	260	295	8 - 12 x 23	22	295	8 - 12 x 23	22	movable	44
250 x 50	10	10028048	385	260	350	12 x 23	26	125	4 x 19	21	movable	43
250 x 50	16	10028049	385	260	355	12 x 28	26	125	4 x 19	21	movable	43
250 x 60	10	10028050	385	260	350	12 x 23	26	135	4 x 19	21	movable	43
250 x 60	16	10028051	385	260	355	12 x 28	26	135	4 x 19	21	movable	43
250 x 65	10	10028052	385	260	350	12 x 23	26	145	4 x 19	21	movable	44
250 x 65	16	10028053	385	260	355	12 x 28	26	145	4 x 19	21	movable	44
250 x 80	10	10028054	405	265	350	12 x 23	26	160	8 x 19	21	movable	47
250 x 80	16	10028055	405	265	355	12 x 28	26	160	8 x 19	21	movable	47
250 x 100	10	10028056	425	270	350	12 x 23	26	180	8 x 19	21	movable	47
250 x 100	16	10028057	425	270	355	12 x 28	26	180	8 x 19	21	movable	48
250 x 125	10	10028058	485	280	350	12 x 23	26	210	8 x 19	21	movable	50
250 x 125	16	10028059	485	280	355	12 x 28	26	210	8 x 19	21	movable	50
250 x 150	10	10028060	485	280	350	12 x 23	26	240	8 x 23	21	movable	52
250 x 150	16	10028061	485	280	355	12 x 28	26	240	8 x 23	21	movable	52
250 x 200	10	10028062	540	290	350	12 x 23	26	295	8 - 12 x 23	22	movable	57
250 x 200	16	10028063	540	290	355	12 x 28	26	295	8 - 12 x 23	22	movable	57
250 x 250	10	10028500	600	300	350	12 x 23	26	350	12 x 23	26	movable	68
250 x 250	16	10028065	600	300	355	12 x 28	26	355	12 x 28	26	movable	68

continued on next page

ALL FLANGED TEE

Flanged fittings

DN 40 - 1000 PN10/16

11.2200



continued from previous page

Reference and dimensions

DN1 x dn2	PN	code	L mm	H mm	K1 mm	n° x d1 mm	b1 mm	K2 mm	n° x d2 mm	b2 mm	Flange movable / fixed	Kg approx.
300 x 50	10	10028068	405	290	400	12 x 23	32	125	4 x 19	21	movable	57
300 x 50	16	10028069	405	290	410	12 x 28	32	125	4 x 19	21	movable	57
300 x 60	10	10028070	405	290	400	12 x 23	32	135	4 x 19	21	movable	57
300 x 60	16	10028071	405	290	410	12 x 28	32	135	4 x 19	21	movable	57
300 x 65	10	10028072	405	290	400	12 x 23	32	145	4 x 19	21	movable	57
300 x 65	16	10028073	405	290	410	12 x 28	32	145	4 x 19	21	movable	57
300 x 80	10	10028074	425	295	400	12 x 23	32	160	8 x 19	21	movable	59
300 x 80	16	10028075	425	295	410	12 x 28	32	160	8 x 19	21	movable	59
300 x 100	10	10028076	450	300	400	12 x 23	32	180	8 x 19	21	movable	62
300 x 100	16	10028077	450	300	410	12 x 28	32	180	8 x 19	21	movable	62
300 x 125	10	10028078	505	310	400	12 x 23	32	210	8 x 19	21	movable	64
300 x 125	16	10028079	505	310	410	12 x 28	32	210	8 x 19	21	movable	64
300 x 150	10	10028080	505	310	400	12 x 23	32	240	8 x 23	21	movable	69
300 x 150	16	10028081	505	310	410	12 x 28	32	240	8 x 23	21	movable	69
300 x 200	10	10028082	565	320	400	12 x 23	32	295	8 - 12 x 23	22	movable	74
300 x 200	16	10028083	565	320	410	12 x 28	32	295	8 - 12 x 23	22	movable	74
300 x 250	10	10028084	620	330	400	12 x 23	32	350	12 x 23	26	movable	86
300 x 250	16	10028085	620	330	410	12 x 28	32	355	12 x 28	26	movable	86
300 x 300	10	10028086	680	340	400	12 x 23	32	400	12 x 23	32	movable	97
300 x 300	16	10028087	680	340	410	12 x 28	32	410	12 x 28	32	movable	97
350 x 80	10	10028096	445	325	460	16 x 23	36	160	8 x 19	21	movable	66
350 x 80	16	10028097	445	325	470	16 x 28	36	160	8 x 19	21	movable	69
350 x 100	10	10028098	470	330	460	16 x 23	36	180	8 x 19	21	movable	67
350 x 100	16	10028099	470	330	470	16 x 28	36	180	8 x 19	21	movable	70
350 x 125	10	10028100	530	340	460	16 x 23	36	210	8 x 19	21	movable	73
350 x 125	16	10028101	530	340	470	16 x 28	36	210	8 x 19	21	movable	76
350 x 150	10	10028102	530	340	460	16 x 23	36	240	8 x 23	21	movable	83
350 x 150	16	10028103	530	340	470	16 x 28	36	240	8 x 23	21	movable	86
350 x 200	10	10028104	585	350	460	16 x 23	36	295	8 - 12 x 23	22	movable	95
350 x 200	16	10028105	585	350	470	16 x 28	36	295	8 - 12 x 23	22	movable	96
350 x 250	10	10028106	645	360	460	16 x 23	36	350	12 x 23	26	movable	99
350 x 250	16	10028107	645	360	470	16 x 28	36	355	12 x 28	26	movable	102
350 x 300	10	10028108	760	380	460	16 x 23	36	400	12 x 23	32	movable	118
350 x 300	16	10028109	760	380	470	16 x 28	36	410	12 x 28	32	movable	121
350 x 350	10	10028110	760	380	460	16 x 23	36	460	16 x 23	36	movable	130
350 x 350	16	10028111	760	380	470	16 x 28	36	470	16 x 28	36	movable	133
400 x 80	10	10028120	470	335	515	16 x 28	38	160	8 x 19	21	movable	93
400 x 80	16	10028121	470	335	525	16 x 31	38	160	8 x 19	21	movable	99
400 x 100	10	10028122	490	360	515	16 x 28	38	180	8 x 19	21	movable	94
400 x 100	16	10028123	490	360	525	16 x 31	38	180	8 x 19	21	movable	100
400 x 125	10	10028124	550	370	515	16 x 28	38	210	8 x 19	21	movable	100
400 x 125	16	10028125	550	370	525	16 x 31	38	210	8 x 19	21	movable	106
400 x 150	10	10028126	550	370	515	16 x 28	38	240	8 x 23	21	movable	102
400 x 150	16	10028127	550	370	525	16 x 31	38	240	8 x 23	21	movable	109
400 x 200	10	10028128	610	380	515	16 x 28	38	295	8 - 12 x 23	22	movable	111
400 x 200	16	10028129	610	380	525	16 x 31	38	295	8 - 12 x 23	22	movable	117
400 x 250	10	10028130	665	390	515	16 x 28	38	350	12 x 23	26	movable	128
400 x 250	16	10028131	665	390	525	16 x 31	38	355	12 x 28	26	movable	133

continued on next page

ALL FLANGED TEE

Flanged fittings

DN 40 - 1000 PN10/16

11.2200



continued from previous page

DN1 x dn2	PN	code	L mm	H mm	K1 mm	n° x d1 mm	b1 mm	K2 mm	n° x d2 mm	b2 mm	Flange movable / fixed	Kg approx.
400 x 300	10	10028132	725	400	515	16 x 28	38	400	12 x 23	32	movable	135
400 x 300	16	10028133	725	400	525	16 x 31	38	410	12 x 28	32	movable	142
400 x 350	10	10028134	840	420	515	16 x 28	38	460	16 x 23	36	movable	161
400 x 350	16	10028135	840	420	525	16 x 31	38	470	16 x 28	36	movable	170
400 x 400	10	10028136	840	420	515	16 x 28	38	515	16 x 28	38	movable	178
400 x 400	16	10028137	840	420	525	16 x 31	38	525	16 x 31	38	movable	182
450 x 450	10	10028346	920	460	565	20 x 28	38	565	20 x 28	38	movable	204
450 x 450	16	10028347	920	460	585	20 x 31	38	585	20 x 31	38	movable	218
500 x 100	10	10028148	535	420	620	20 x 28	40	180	8 x 19	21	movable	113
500 x 100	16	10028149	535	420	650	20 x 34	40	180	8 x 19	21	movable	127
500 x 150	10	10028152	650	440	620	20 x 28	40	240	8 x 23	21	movable	137
500 x 150	16	10028153	650	440	650	20 x 34	40	240	8 x 23	21	movable	151
500 x 200	10	10028154	650	440	620	20 x 28	40	295	8 - 12 x 23	22	movable	141
500 x 200	16	10028155	650	440	650	20 x 34	40	295	8 - 12 x 23	22	movable	155
500 x 250	10	10028156	885	480	620	20 x 28	40	350	12 x 23	26	movable	184
500 x 250	16	10028157	885	480	650	20 x 34	40	355	12 x 28	26	movable	198
500 x 300	10	10028158	885	480	620	20 x 28	40	400	12 x 23	32	movable	190
500 x 300	16	10028159	885	480	650	20 x 34	40	410	12 x 28	32	movable	204
500 x 350	10	10028160	885	480	620	20 x 28	40	460	16 x 23	36	movable	224
500 x 350	16	10028166	885	480	650	20 x 34	40	470	16 x 28	36	movable	241
500 x 400	10	10028162	885	480	620	20 x 28	40	515	16 x 28	38	movable	224
500 x 400	16	10028163	885	480	650	20 x 34	40	525	16 x 31	38	movable	244
500 x 500	10	10028164	1000	500	620	20 x 28	40	620	20 x 28	40	movable	261
500 x 500	16	10028165	1000	500	650	20 x 34	40	650	20 x 34	40	movable	285
600 x 100	10	10028176	700	500	725	20 x 31	46	180	8 x 19	21	movable	224
600 x 100	16	10028177	700	500	770	20 x 37	46	180	8 x 19	21	movable	255
600 x 150	10	10028180	700	500	725	20 x 31	46	240	8 x 23	21	movable	228
600 x 150	16	10028181	700	500	770	20 x 37	46	240	8 x 23	21	movable	259
600 x 200	10	10028182	700	500	725	20 x 31	46	295	8 - 12 x 23	22	movable	232
600 x 200	16	10028183	700	500	770	20 x 37	46	295	8 - 12 x 23	22	movable	263
600 x 250	10	10028184	930	540	725	20 x 31	46	350	12 x 23	26	movable	271
600 x 250	16	10028185	930	540	770	20 x 37	46	355	12 x 28	26	movable	302
600 x 300	10	10028186	930	540	725	20 x 31	46	400	12 x 23	32	movable	267
600 x 300	16	10028187	930	540	770	20 x 37	46	410	12 x 28	32	movable	308
600 x 400	10	10028190	930	540	725	20 x 31	46	515	16 x 28	38	movable	295
600 x 400	16	10028191	930	540	770	20 x 37	46	525	16 x 31	38	movable	325
600 x 500	10	10028192	1165	580	725	20 x 31	46	620	20 x 28	40	movable	342
600 x 500	16	10028193	1165	580	770	20 x 37	46	650	20 x 34	40	movable	372
600 x 600	10	10028194	1165	580	725	20 x 31	46	725	20 x 31	46	movable	450
600 x 600	16	10028195	1165	580	770	20 x 37	46	770	20 x 37	46	movable	-
700 x 700	10	10145000	1200	600	840	24 x 31	32.5	840	24 x 31	32.5	fixed	707
700 x 700	16	10145005	1200	600	840	24 x 37	39.5	840	24 x 37	39.5	fixed	-
800 x 800	10	10145125	1350	675	950	24 x 34	35	950	24 x 34	35	fixed	860
800 x 800	16	10145130	1350	675	950	24 x 41	43	950	24 x 41	43	fixed	-
900 x 900	10	10145250	1500	750	1050	28 x 34	37.5	1050	28 x 34	37.5	fixed	1100
900 x 900	16	10145255	1500	750	1050	28 x 41	46.5	1050	28 x 41	46.5	fixed	-
1000 x 1000	10	10145375	1650	825	1160	28 x 37	40	1160	28 x 37	40	fixed	1513
1000 x 1000	16	10145380	1650	825	1170	28 x 44	50	1170	28 x 44	50	fixed	-



Fucoli Somepal
FUNDIÇÃO DE FERRO, S. A.

Visit our website at www.fucoli-somepal.pt

Head office: Estrada de Coselhas, 3000-125 Coimbra – Portugal | Tel.: (+351) 239 490100 | Fax: (+351) 239 490198

Branch office: Rua de Aveiro 50, 3050-420 Pampilhosa – Portugal | Tel.: (+351) 239 490100 | Fax: (+351) 231 949292 | comercial@fucoli-somepal.pt



100% MADE IN EUROPE