

ALL SOCKET TEE FOR uPVC

Fittings for uPVC pipes

63 - 400 PN10/16/25

10.300



Product description

- All socket tee for uPVC pipes for drinking water and neutral liquids
- Service temperature from 0°C (excluding frost) to 70°C

Standards

- Designed according to EN 12842
- For uPVC pipes according EN ISO 1452-2

Corrosion protection

- Epoxy powder coating RAL 5005
- Applied internal and external with a minimum coating thickness of 250 µm
- Potable water approved epoxy coating fusion bonded according EN 14901 and GSK (RAL-GZ662) guidelines

Approvals

- ACS Potability Certificate 21 ACC NY 004

Features

- Fitting approved for drinking water for uPVC pipes connection
- Body in ductile cast iron (EN-GJS-500-7)
- Fast and easy to install
- Socket ends with drinking water approved EPDM double lip seal ring to ensure a perfect sealing
- Maximum working pressure 25 bar, the maximum working and test pressure must be in accordance with the pipe standard
- This fitting does not guarantee the pipe blocking, they must be anchored by other means
- On request possibility of sealing ring in NBR.



Fucoli Somepal
FUNDAÇÃO DE FERRO, S. A.

Visit our website at www.fucoli-somepal.pt

Head office: Estrada de Coselhas, 3000-125 Coimbra – Portugal | Tel.: (+351) 239 490100 | Fax: (+351) 239 490198

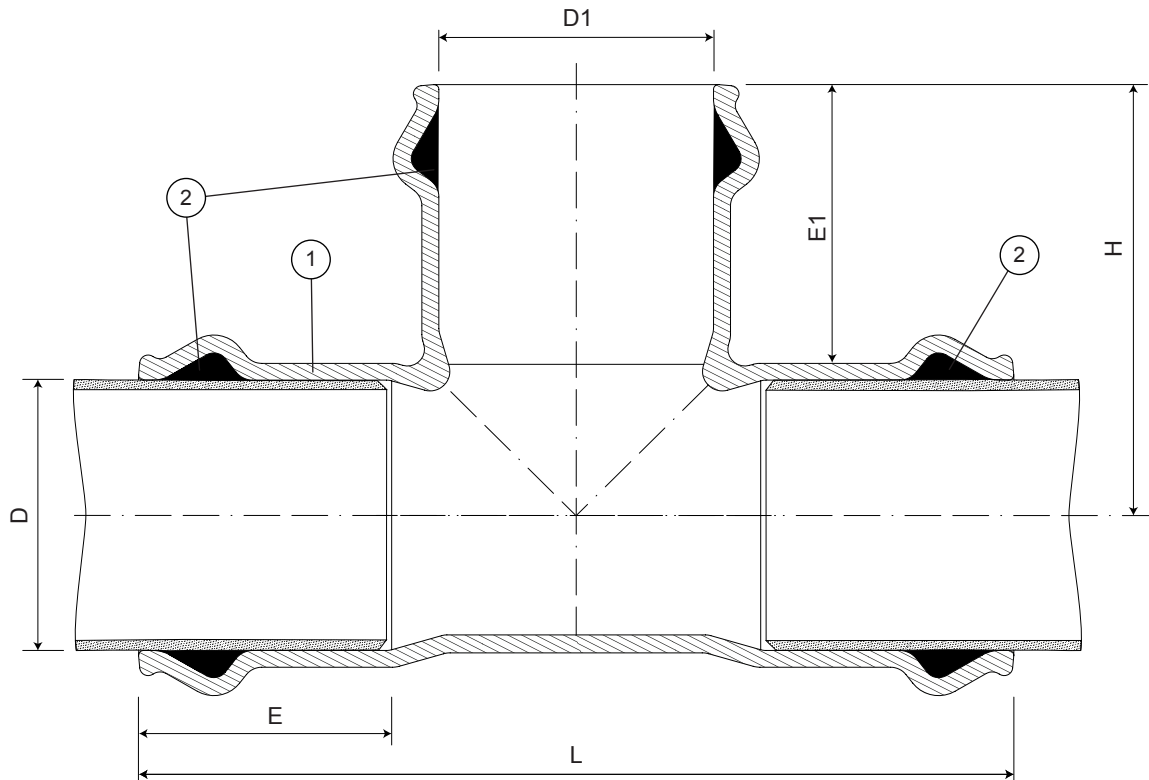
Branch office: Rua de Aveiro 50, 3050-420 Pampilhosa – Portugal | Tel.: (+351) 239 490100 | Fax: (+351) 231 949292 | comercial@fucoli-somepal.pt

ALL SOCKET TEE FOR uPVC

Fittings for uPVC pipes

63 - 400 PN10/16/25

10.300



Component list

pos.	components	material	standard
1	Body	Ductile iron EN-GJS-500-7	EN 1563
2	Sealing ring	Elastomer EPDM	EN 681 - 1

Reference and dimensions

D x D1 ext. PE/PVC	code	L mm	H mm	E mm	E1 mm	Kg approx.
63 x 63	1045100001	260	127	88	88	5
75 x 63	1045101001	268	134	90	88	6
75 x 75	1045101101	280	140	90	90	6
90 x 63	1045102001	292	142	97	88	7
90 x 75	1045102101	302	148	97	90	7
90 x 90	1045102201	316	164	97	97	8
110 x 63	1045103001	315	150	105	88	8
110 x 75	1045103101	327	156	105	90	9
110 x 90	1045103201	340	156	105	97	9
110 x 110	1045103301	360	180	105	105	10
125 x 63	1045103701	334	169	108	88	9
125 x 75	1045103901	345	162	108	90	10
125 x 90	1045104101	360	174	108	97	12
125 x 110	1045104301	377	179	108	105	12
125 x 125	1045104601	404	202	108	108	12
140 x 63	1045104701	342	169	110	88	10
140 x 75	1045104901	353	177	110	90	11
140 x 90	1045105101	368	181	110	97	11
140 x 110	1045105201	386	184	110	105	12
140 x 125	1045105301	410	206	110	108	14
140 x 140	1045105501	412	206	110	110	14

continued on next page

ALL SOCKET TEE FOR uPVC

Fittings for uPVC pipes

63 - 400 PN10/16/25

10.300



continued from previous page

D x D1 ext. PE/PVC	code	L mm	H mm	E mm	E1 mm	Kg approx.
160 x 63	1045105601	373	181	123	88	12
160 x 75	1045105701	384	188	123	90	13
160 x 90	1045105801	398	191	123	97	13
160 x 110	1045106001	416	197	123	105	14
160 x 125	1045106201	443	217	123	108	16
160 x 140	1045106401	443	217	123	110	16
160 x 160	1045106601	461	228	123	123	16
180 x 180	1045106900	437	219	128	128	23
200 x 63	1045107001	389	200	132	80	17
200 x 75	1045107101	395	204	132	90	18
200 x 90	1045107201	405	216	132	97	19
200 x 110	1045107301	422	220	132	105	19
200 x 125	1045107401	485	238	132	108	22
200 x 140	1045107501	485	238	132	110	22
200 x 160	1045107601	470	252	132	123	23
200 x 200	1045107701	520	255	132	132	26
250 x 63	1045108001	464	255	145	88	27
250 x 75	1045108101	475	230	145	90	27
250 x 90	1045108201	489	241	145	97	27
250 x 110	1045108301	507	234	145	105	27
250 x 125	1045108401	534	266	145	108	32
250 x 140	1045108501	534	266	145	110	33
250 x 160	1045108601	552	266	145	123	34
250 x 200	1045108701	597	268	145	132	35
250 x 250	1045108801	627	332	145	145	41
315 x 63	1045109001	520	258	160	88	41
315 x 75	1045109101	530	260	160	90	43
315 x 90	1045109201	543	262	160	97	43
315 x 110	1045109301	561	267	160	105	44
315 x 125	1045109401	588	285	160	108	47
315 x 140	1045109501	588	290	160	110	49
315 x 160	1045109601	606	299	160	123	50
315 x 200	1045109701	665	325	160	132	54
315 x 250	1045109801	715	350	160	145	61
315 x 315	1045109901	746	379	160	160	67
400 x 110	1045110301	653	328	173	105	76
400 x 140	1045110501	680	353	173	110	79
400 x 250	1045110801	807	405	173	145	97
400 x 315	1047013601	838	441	173	160	105
400 x 400	1045111001	960	489	173	173	130



Fucoli Somepal
FUNDAÇÃO DE FERRO, S. A.

Visit our website at www.fucoli-somepal.pt

Head office: Estrada de Coselhas, 3000-125 Coimbra – Portugal | Tel.: (+351) 239 490100 | Fax: (+351) 239 490198

Branch office: Rua de Aveiro 50, 3050-420 Pampilhosa – Portugal | Tel.: (+351) 239 490100 | Fax: (+351) 231 949292 | comercial@fucoli-somepal.pt

