

ROUND MANHOLE COVER SERIES FUCOLI WITH LOCKING SYSTEM D400

12.101



Product description

- Round manhole cover series FUCOLI with locking system
- Water based black painting

Installation location

- Class D400 - Carriageways of roads (including pedestrian streets), hard shoulders and parking areas for all types of road vehicles

Standards

- Designed according to EN 124-1/2

Features

- Ductile cast iron cover and frame (EN-GJS-500-7) with water based black painting
- Cover with non-slip raised pattern according to EN 124-1 designed to allow quick and easy installation
- Cover with a robust conception
- Elastic seating which assures the cover perfectly fits the frame and also gives stability and silent operating even in high traffic intensity
- Personalization of the cover with inscriptions and logo in high relief with minimal quantities.



100% MADE IN EUROPE



Fucoli Somepal
FUNDAÇÃO DE FERRO, S.A.

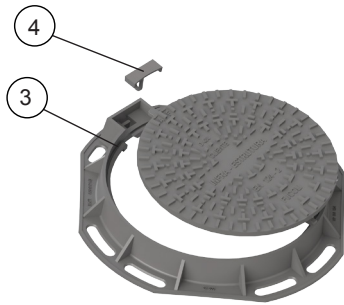
Visit our website at www.fucoli-somepal.pt

Head office: Estrada de Coselhas, 3000-125 Coimbra – Portugal | Tel.: (+351) 239 490100 | Fax: (+351) 239 490198

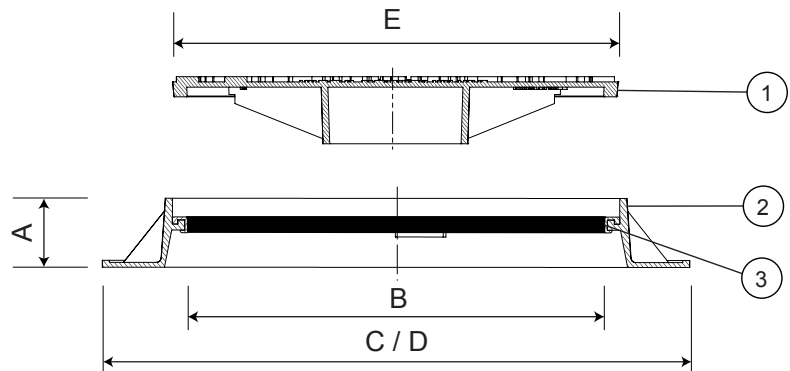
Branch office: Rua de Aveiro 50, 3050-420 Pampilhosa – Portugal | Tel.: (+351) 239 490100 | Fax: (+351) 231 949292 | comercial@fucoli-somepal.pt

ROUND MANHOLE COVER SERIES FUCOLI WITH LOCKING SYSTEM D400

12.101



Fucoli 600



Component list

pos.	components	material	standard
1	Cover	Ductile iron EN-GJS-500-7	EN 1563
2	Frame	Ductile iron EN-GJS-500-7	EN 1563
3	Elastic seating anti-noise	Polyethylene	-
4	Lock	Ductile iron EN-GJS-500-7	EN 1563

Reference and dimensions

Model - DN - Class	code	Frame				Cover	Weight	
		height mm	clear opening mm	∅ external mm	∅ ext. with stone-bolt mm	∅ exterior mm	Cover kg	Total kg
		A	B	C	D	E	approx.	approx.
Fucoli 600 - D400	24B1C14FNIBZZZZ00EC	100	600	855	855	650	34	66
Fucoli / EPA LZ 600 - D400	24B1C14FNIELGEPL10EC	100	600	855	855	650	34	66



Fucoli Somepal
FUNDIÇÃO DE FERRO, S.A.

Visit our website at www.fucoli-somepal.pt

Head office: Estrada de Coselhas, 3000-125 Coimbra – Portugal | Tel.: (+351) 239 490100 | Fax: (+351) 239 490198

Branch office: Rua de Aveiro 50, 3050-420 Pampilhosa – Portugal | Tel.: (+351) 239 490100 | Fax: (+351) 231 949292 | comercial@fucoli-somepal.pt



100% MADE IN EUROPE