

ALL FLANGED TEE

Flanged fittings

DN 40 - 1000 PN10/16/25

10.1200



Product description

- All flanged tee for drinking water and neutral liquids

Standards

- Designed according to EN 545
- Flange drilling to EN 1092-2 PN10/16/25

Corrosion protection

- Epoxy powder coating RAL 5005
- Applied internal and external with a minimum coating thickness of 250 µm
- Potable water approved epoxy coating fusion bonded according to EN 14901 and GSK (RAL-GZ662) guidelines

Approvals

- ACS Potability Certificate 22 ACC NY 023

Features

- Fitting approved for drinking water
- Body and flange in ductile cast iron EN-GJS-500-7
- Fast and easy to install
- Accessory with movable flanges up to DN 600 (inclusive) and fixed flanges from DN 700.



Fucoli Somepal
FUNDAÇÃO DE FERRO, S. A.

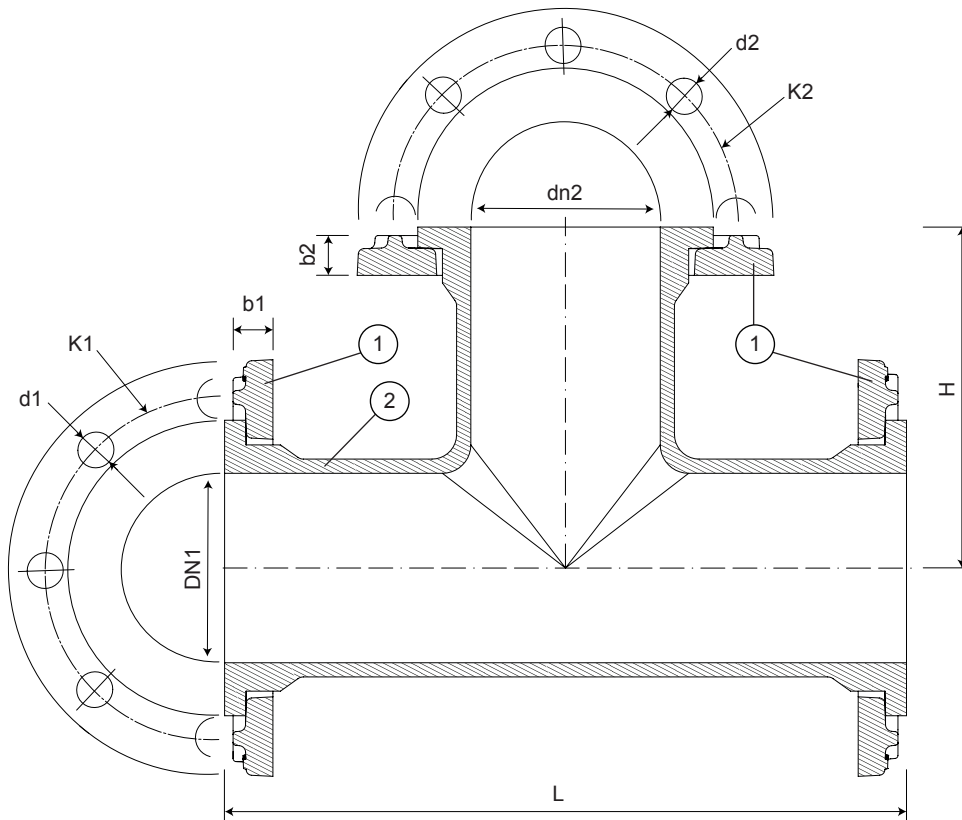
Visit our website at www.fucoli-somepal.pt

Head office: Estrada de Coselhas, 3000-125 Coimbra – Portugal | Tel.: (+351) 239 490100 | Fax: (+351) 239 490198

Branch office: Rua de Aveiro 50, 3050-420 Pampilhosa – Portugal | Tel.: (+351) 239 490100 | Fax: (+351) 231 949292 | comercial@fucoli-somepal.pt

ALL FLANGED TEE
Flanged fittings
DN 40 - 1000 PN10/16/25

10.1200



DN 40 to DN 600



DN 700 to DN 1000

Component list

pos.	components	material	standard
1	Flange	Ductile iron EN-GJS-500-7	EN 1563
2	Body	Ductile iron EN-GJS-500-7	EN 1563

Reference and dimensions

DN1 x dn2	PN	code	L mm	H mm	K1 mm	n° x d1 mm	b1 mm	K2 mm	n° x d2 mm	b2 mm	Flange movable / fixed	Kg approx.
40 x 40	10/16	10020019	255	130	110	4 x 19	21	110	4 x 19	21	movable	8
40 x 40	25	10023021	255	130	110	4 x 19	21	110	4 x 19	21	movable	8
50 x 40	10/16	10020015	280	130	125	4 x 19	21	110	4 x 19	21	movable	10
50 x 40	25	10023017	280	130	125	4 x 19	21	110	4 x 19	21	movable	10
50 x 50	10/16	10020020	280	140	125	4 x 19	21	125	4 x 19	21	movable	10
50 x 50	25	10023020	280	140	125	4 x 19	21	125	4 x 19	21	movable	10
60 x 40	10/16	10020016	305	130	135	4 x 19	21	110	4 x 19	21	movable	11
60 x 40	25	10023022	305	130	135	8 x 19	21	110	4 x 19	21	movable	11
60 x 50	10/16	10020035	305	150	135	4 x 19	21	125	4 x 19	21	movable	11
60 x 50	25	10023036	305	150	135	8 x 19	21	125	4 x 19	21	movable	11
60 x 60	10/16	10020030	305	150	135	4 x 19	21	135	4 x 19	21	movable	11
60 x 60	25	10023032	305	150	135	8 x 19	21	135	8 x 19	21	movable	11
65 x 40	10/16	10020014	305	130	145	4 x 19	21	110	4 x 19	21	movable	11
65 x 40	25	10023016	305	130	145	8 x 19	21	110	4 x 19	21	movable	11
65 x 50	10/16	10020036	305	150	145	4 x 19	21	125	4 x 19	21	movable	12
65 x 50	25	10023037	305	150	145	8 x 19	21	125	4 x 19	21	movable	12
65 x 60	10/16	10020038	305	150	145	4 x 19	21	135	4 x 19	21	movable	12
65 x 60	25	10023039	305	150	145	8 x 19	21	135	8 x 19	21	movable	12
65 x 65	10/16	10020040	305	150	145	4 x 19	21	145	4 x 19	21	movable	12
65 x 65	25	10023040	305	150	145	8 x 19	21	145	8 x 19	21	movable	12

continued on next page

ALL FLANGED TEE
Flanged fittings
DN 40 - 1000 PN10/16/25

10.1200



continued from previous page

Reference and dimensions

DN1 x dn2	PN	code	L mm	H mm	K1 mm	n° x d1 mm	b1 mm	K2 mm	n° x d2 mm	b2 mm	Flange movable / fixed	Kg approx.
80 x 40	10/16	10020017	310	135	160	8 x 19	21	110	4 x 19	21	movable	13
80 x 40	25	10023043	310	135	160	8 x 19	21	110	4 x 19	21	movable	13
80 x 50	10/16	10020044	310	155	160	8 x 19	21	125	4 x 19	21	movable	13
80 x 50	25	10023045	310	155	160	8 x 19	21	125	4 x 19	21	movable	13
80 x 60	10/16	10020046	310	155	160	8 x 19	21	135	4 x 19	21	movable	13
80 x 60	25	10023046	310	155	160	8 x 19	21	135	8 x 19	21	movable	13
80 x 65	10/16	10020048	310	155	160	8 x 19	21	145	4 x 19	21	movable	14
80 x 65	25	10023049	310	155	160	8 x 19	21	145	8 x 19	21	movable	14
80 x 80	10/16	10020050	330	165	160	8 x 19	21	160	8 x 19	21	movable	15
80 x 80	25	10023050	330	165	160	8 x 19	21	160	8 x 19	21	movable	15
100 x 40	10/16	10020018	320	145	180	8 x 19	21	110	4 x 19	21	movable	15
100 x 40	25	10023019	320	145	190	8 x 23	21	110	4 x 19	21	movable	16
100 x 50	10/16	10020052	320	165	180	8 x 19	21	125	4 x 19	21	movable	16
100 x 50	25	10023052	320	165	190	8 x 23	21	125	4 x 19	21	movable	16
100 x 60	10/16	10020054	320	165	180	8 x 19	21	135	4 x 19	21	movable	16
100 x 60	25	10020055	320	165	190	8 x 23	21	135	8 x 19	21	movable	17
100 x 65	10/16	10020056	320	165	180	8 x 19	21	145	4 x 19	21	movable	17
100 x 65	25	10023057	320	165	190	8 x 23	21	145	8 x 19	21	movable	17
100 x 80	10/16	10020058	330	170	180	8 x 19	21	160	8 x 19	21	movable	18
100 x 80	25	10023059	330	170	190	8 x 23	21	160	8 x 19	21	movable	18
100 x 100	10/16	10020060	360	180	180	8 x 19	21	180	8 x 19	21	movable	18
100 x 100	25	10023060	360	180	190	8 x 23	21	190	8 x 23	21	movable	21
125 x 40	10/16	10020059	330	160	210	8 x 19	21	110	4 x 19	21	movable	17
125 x 40	25	10023061	330	160	220	8 x 28	21	110	4 x 19	21	movable	18
125 x 50	10/16	10020061	330	180	210	8 x 19	21	125	4 x 19	21	movable	18
125 x 50	25	10023062	330	180	220	8 x 28	21	125	4 x 19	21	movable	19
125 x 60	10/16	10020062	330	180	210	8 x 19	21	135	4 x 19	21	movable	19
125 x 60	25	10023063	330	180	220	8 x 28	21	135	8 x 19	21	movable	21
125 x 65	10/16	10020064	330	180	210	8 x 19	21	145	4 x 19	21	movable	19
125 x 65	25	10023064	330	180	220	8 x 28	21	145	8 x 19	21	movable	21
125 x 80	10/16	10020066	350	185	210	8 x 19	21	160	8 x 19	21	movable	19
125 x 80	25	10023067	350	185	220	8 x 28	21	160	8 x 19	21	movable	21
125 x 100	10/16	10020068	370	195	210	8 x 19	21	180	8 x 19	21	movable	21
125 x 100	25	10023069	370	195	220	8 x 28	21	190	8 x 23	21	movable	23
125 x 125	10/16	10020070	400	200	210	8 x 19	21	210	8 x 19	21	movable	23
125 x 125	25	10023070	400	200	220	8 x 28	21	220	8 x 28	21	movable	25
150 x 40	10/16	10023070	340	170	240	8 x 23	21	110	4 x 19	21	movable	23
150 x 40	25	10023078	340	170	250	8 x 28	21	110	4 x 19	21	movable	23
150 x 50	10/16	10020078	340	190	240	8 x 23	21	125	4 x 19	21	movable	23
150 x 50	25	10023079	340	190	250	8 x 28	21	125	4 x 19	21	movable	24
150 x 60	10/16	10020080	340	190	240	8 x 23	21	135	4 x 19	21	movable	24
150 x 60	25	10023080	340	190	250	8 x 28	21	135	8 x 19	21	movable	24
150 x 65	10/16	10020082	340	190	240	8 x 23	21	145	4 x 19	21	movable	24
150 x 65	25	10023083	340	190	250	8 x 28	21	145	8 x 19	21	movable	24
150 x 80	10/16	10020084	360	200	240	8 x 23	21	160	8 x 19	21	movable	25
150 x 80	25	10023084	360	200	250	8 x 28	21	160	8 x 19	21	movable	26
150 x 100	10/16	10020086	380	205	240	8 x 23	21	180	8 x 19	21	movable	26
150 x 100	25	10023087	380	205	250	8 x 28	21	190	8 x 23	21	movable	29

continued on next page

ALL FLANGED TEE
Flanged fittings
DN 40 - 1000 PN10/16/25

10.1200



continued from previous page

Reference and dimensions

DN1 x dn2	PN	code	L mm	H mm	K1 mm	n° x d1 mm	b1 mm	K2 mm	n° x d2 mm	b2 mm	Flange movable / fixed	Kg approx.
150 x 125	10/16	10020088	410	215	240	8 x 23	21	210	8 x 19	21	movable	27
150 x 125	25	10023089	410	215	250	8 x 28	21	220	8 x 28	21	movable	31
150 x 150	10/16	10020090	440	220	240	8 x 23	21	240	8 x 23	21	movable	30
150 x 150	25	10023091	440	220	250	8 x 28	21	250	8 x 28	21	movable	32
175 x 80	10/16	10020093	480	215	270	8 x 23	21	160	8 x 19	21	movable	30
175 x 80	25	10023299	480	215	-	-	-	160	8 x 19	21	movable	32
175 x 100	10/16	10020095	480	215	270	8 x 23	21	180	8 x 19	21	movable	31
175 x 100	25	10023301	480	215	-	-	-	190	8 x 23	21	movable	34
175 x 125	10/16	10020097	480	240	270	8 x 23	21	210	8 x 19	21	movable	33
175 x 125	25	10023303	480	240	-	-	-	220	8 x 28	21	movable	36
175 x 150	10/16	10020099	480	240	270	8 x 23	21	240	8 x 23	21	movable	35
175 x 150	25	10023305	480	240	-	-	-	250	8 x 28	21	movable	37
175 x 175	10/16	10020101	480	240	270	8 x 23	21	270	8 x 23	21	movable	36
175 x 175	25	10023307	480	240	-	-	-	-	-	-	movable	39
200 x 50	10/16	10020092	365	195	295	8 - 12 x 23	22	125	4 x 19	21	movable	30
200 x 50	25	10023093	365	195	310	12 x 28	22	125	4 x 19	21	movable	30
200 x 60	10/16	10020094	365	215	295	8 - 12 x 23	22	135	4 x 19	21	movable	30
200 x 60	25	10023095	365	215	310	12 x 28	22	135	8 x 19	21	movable	30
200 x 65	10/16	10020096	365	215	295	8 - 12 x 23	22	145	4 x 19	21	movable	31
200 x 65	25	10023097	365	215	310	12 x 28	22	145	8 x 19	21	movable	31
200 x 80	10/16	10020098	380	225	295	8 - 12 x 23	22	160	8 x 19	21	movable	32
200 x 80	25	10023099	380	225	310	12 x 28	22	160	8 x 19	21	movable	34
200 x 100	10/16	10020100	400	230	295	8 - 12 x 23	22	180	8 x 19	21	movable	34
200 x 100	25	10023101	400	230	310	12 x 28	22	190	8 x 23	21	movable	37
200 x 125	10/16	10020102	435	240	295	8 - 12 x 23	22	210	8 x 19	21	movable	36
200 x 125	25	10023103	435	240	310	12 x 28	22	220	8 x 28	21	movable	38
200 x 150	10/16	10020104	460	245	295	8 - 12 x 23	22	240	8 x 23	21	movable	41
200 x 150	25	10023105	460	245	310	12 x 28	22	250	8 x 28	21	movable	42
200 x 175	10/16	10020105	520	260	295	8 - 12 x 23	22	270	8 x 23	21	movable	42
200 x 175	25	10023106	520	260	310	12 x 28	22	-	-	-	movable	45
200 x 200	10/16	10020106	520	260	295	8 - 12 x 23	22	295	8 - 12 x 23	22	movable	44
200 x 200	25	10023107	520	260	310	12 x 28	22	310	12 x 28	22	movable	47
250 x 50	10	10020112	385	260	350	12 x 23	26	125	4 x 19	21	movable	43
250 x 50	16	10020113	385	260	355	12 x 28	26	125	4 x 19	21	movable	43
250 x 50	25	10023113	385	260	370	12 x 31	26	125	4 x 19	21	movable	44
250 x 60	10	10020114	385	260	350	12 x 23	26	135	4 x 19	21	movable	43
250 x 60	16	10020115	385	260	355	12 x 28	26	135	4 x 19	21	movable	43
250 x 60	25	10023114	385	260	370	12 x 31	26	135	8 x 19	21	movable	45
250 x 65	10	10020116	385	260	350	12 x 23	26	145	4 x 19	21	movable	44
250 x 65	16	10020117	385	260	355	12 x 28	26	145	4 x 19	21	movable	44
250 x 65	25	10023117	385	260	370	12 x 31	26	145	8 x 19	21	movable	47
250 x 80	10	10020118	405	265	350	12 x 23	26	160	8 x 19	21	movable	47
250 x 80	16	10020119	405	265	355	12 x 28	26	160	8 x 19	21	movable	47
250 x 80	25	10023118	405	265	370	12 x 31	26	160	8 x 19	21	movable	49
250 x 100	10	10020120	425	270	350	12 x 23	26	180	8 x 19	21	movable	47
250 x 100	16	10020121	425	270	355	12 x 28	26	180	8 x 19	21	movable	48
250 x 100	25	10023122	425	270	370	12 x 31	26	190	8 x 23	21	movable	51
250 x 125	10	10020122	485	280	350	12 x 23	26	210	8 x 19	21	movable	50

continued on next page

ALL FLANGED TEE

Flanged fittings

DN 40 - 1000 PN10/16/25

10.1200



continued from previous page

Reference and dimensions

DN1 x dn2	PN	code	L mm	H mm	K1 mm	n° x d1 mm	b1 mm	K2 mm	n° x d2 mm	b2 mm	Flange movable / fixed	Kg approx.
250 x 125	16	10020123	485	280	355	12 x 28	26	210	8 x 19	21	movable	50
250 x 125	25	10023124	485	280	370	12 x 31	26	220	8 x 28	21	movable	54
250 x 150	10	10020124	485	280	350	12 x 23	26	240	8 x 23	21	movable	52
250 x 150	16	10020125	485	280	355	12 x 28	26	240	8 x 23	21	movable	52
250 x 150	25	10023126	485	280	370	12 x 31	26	250	8 x 28	21	movable	57
250 x 200	10	10020126	540	290	350	12 x 23	26	295	8 - 12 x 23	22	movable	57
250 x 200	16	10020127	540	290	355	12 x 28	26	295	8 - 12 x 23	22	movable	57
250 x 200	25	10023128	540	290	370	12 x 31	26	310	12 x 28	22	movable	61
250 x 250	10	10020128	600	300	350	12 x 23	26	350	12 x 23	26	movable	68
250 x 250	16	10020129	600	300	355	12 x 28	26	355	12 x 28	26	movable	68
250 x 250	25	10023130	600	300	370	12 x 31	26	370	12 x 31	26	movable	69
300 x 50	10	10020136	405	290	400	12 x 23	32	125	4 x 19	21	movable	57
300 x 50	16	10020137	405	290	410	12 x 28	32	125	4 x 19	21	movable	57
300 x 50	25	10023138	405	290	430	16 x 31	32	125	4 x 19	21	movable	61
300 x 60	10	10020138	405	290	400	12 x 23	32	135	4 x 19	21	movable	57
300 x 60	16	10020139	405	290	410	12 x 28	32	135	4 x 19	21	movable	57
300 x 60	25	10020132	405	290	430	16 x 31	32	135	8 x 19	21	movable	62
300 x 65	10	10020140	405	290	400	12 x 23	32	145	4 x 19	21	movable	57
300 x 65	16	10020141	405	290	410	12 x 28	32	145	4 x 19	21	movable	57
300 x 65	25	10023142	405	290	430	16 x 31	32	145	8 x 19	21	movable	62
300 x 80	10	10020142	425	295	400	12 x 23	32	160	8 x 19	21	movable	59
300 x 80	16	10020143	425	295	410	12 x 28	32	160	8 x 19	21	movable	59
300 x 80	25	10023144	425	295	430	16 x 31	32	160	8 x 19	21	movable	65
300 x 100	10	10020144	450	300	400	12 x 23	32	180	8 x 19	21	movable	62
300 x 100	16	10020145	450	300	410	12 x 28	32	180	8 x 19	21	movable	62
300 x 100	25	10020181	450	300	430	16 x 31	32	190	8 x 23	21	movable	67
300 x 125	10	10020146	505	310	400	12 x 23	32	210	8 x 19	21	movable	64
300 x 125	16	10020147	505	310	410	12 x 28	32	210	8 x 19	21	movable	64
300 x 125	25	10023148	505	310	430	16 x 31	32	220	8 x 28	21	movable	69
300 x 150	10	10020148	505	310	400	12 x 23	32	240	8 x 23	21	movable	69
300 x 150	16	10020149	505	310	410	12 x 28	32	240	8 x 23	21	movable	69
300 x 150	25	10023150	505	310	430	16 x 31	32	250	8 x 28	21	movable	74
300 x 200	10	10020150	565	320	400	12 x 23	32	295	8 - 12 x 23	22	movable	74
300 x 200	16	10020151	565	320	410	12 x 28	32	295	8 - 12 x 23	22	movable	74
300 x 200	25	10023152	565	320	430	16 x 31	32	310	12 x 28	22	movable	82
300 x 250	10	10020152	620	330	400	12 x 23	32	350	12 x 23	26	movable	86
300 x 250	16	10020153	620	330	410	12 x 28	32	355	12 x 28	26	movable	86
300 x 250	25	10023154	620	330	430	16 x 31	32	370	12 x 31	26	movable	92
300 x 300	10	10020154	680	340	400	12 x 23	32	400	12 x 23	32	movable	97
300 x 300	16	10020155	680	340	410	12 x 28	32	410	12 x 28	32	movable	97
300 x 300	25	10023156	680	340	430	16 x 31	32	430	16 x 31	32	movable	105
350 x 80	10	10020183	445	325	460	16 x 23	36	160	8 x 19	21	movable	66
350 x 80	16	10020185	445	325	470	16 x 28	36	160	8 x 19	21	movable	69
350 x 80	25	10023186	445	325	490	16 x 34	36	160	8 x 19	21	movable	74
350 x 100	10	10020158	470	330	460	16 x 23	36	180	8 x 19	21	movable	67
350 x 100	16	10020159	470	330	470	16 x 28	36	180	8 x 19	21	movable	70
350 x 100	25	10023161	470	330	490	16 x 34	36	190	8 x 23	21	movable	75
350 x 125	10	10020184	530	340	460	16 x 23	36	210	8 x 19	21	movable	73

continued on next page

ALL FLANGED TEE
Flanged fittings
DN 40 - 1000 PN10/16/25

10.1200



continued from previous page

Reference and dimensions

DN1 x dn2	PN	code	L mm	H mm	K1 mm	n° x d1 mm	b1 mm	K2 mm	n° x d2 mm	b2 mm	Flange movable / fixed	Kg approx.
350 x 125	16	10020189	530	340	470	16 x 28	36	210	8 x 19	21	movable	76
350 x 125	25	10023190	530	340	490	16 x 34	36	220	8 x 28	21	movable	81
350 x 150	10	10020160	530	340	460	16 x 23	36	240	8 x 23	21	movable	83
350 x 150	16	10020161	530	340	470	16 x 28	36	240	8 x 23	21	movable	86
350 x 150	25	10023162	530	340	490	16 x 34	36	250	8 x 28	21	movable	91
350 x 200	10	10020178	585	350	460	16 x 23	36	295	8 - 12 x 23	22	movable	95
350 x 200	16	10020179	585	350	470	16 x 28	36	295	8 - 12 x 23	22	movable	96
350 x 200	25	10023180	585	350	490	16 x 34	36	310	12 x 28	22	movable	103
350 x 250	10	10020194	645	360	460	16 x 23	36	350	12 x 23	26	movable	99
350 x 250	16	10020190	645	360	470	16 x 28	36	355	12 x 28	26	movable	102
350 x 250	25	10023191	645	360	490	16 x 34	36	370	12 x 31	26	movable	103
350 x 300	10	10020186	760	380	460	16 x 23	36	400	12 x 23	32	movable	118
350 x 300	16	10020180	760	380	470	16 x 28	36	410	12 x 28	32	movable	121
350 x 300	25	10023181	760	380	490	16 x 34	36	430	16 x 31	32	movable	130
350 x 350	10	10020156	760	380	460	16 x 23	36	460	16 x 23	36	movable	130
350 x 350	16	10020157	760	380	470	16 x 28	36	470	16 x 28	36	movable	133
350 x 350	25	10023159	760	380	490	16 x 34	36	490	16 x 34	36	movable	142
400 x 80	10	10020162	470	335	515	16 x 28	38	160	8 x 19	21	movable	93
400 x 80	16	10020163	470	335	525	16 x 31	38	160	8 x 19	21	movable	99
400 x 80	25	10023164	470	335	550	16 x 37	38	160	8 x 19	21	movable	110
400 x 100	10	10020164	490	360	515	16 x 28	38	180	8 x 19	21	movable	94
400 x 100	16	10020165	490	360	525	16 x 31	38	180	8 x 19	21	movable	100
400 x 100	25	10023166	490	360	550	16 x 37	38	190	8 x 23	21	movable	114
400 x 125	10	10020166	550	370	515	16 x 28	38	210	8 x 19	21	movable	100
400 x 125	16	10020167	550	370	525	16 x 31	38	210	8 x 19	21	movable	106
400 x 125	25	10023168	550	370	550	16 x 37	38	220	8 x 28	21	movable	117
400 x 150	10	10020168	550	370	515	16 x 28	38	240	8 x 23	21	movable	102
400 x 150	16	10020169	550	370	525	16 x 31	38	240	8 x 23	21	movable	109
400 x 150	25	10023170	550	370	550	16 x 37	38	250	8 x 28	21	movable	121
400 x 200	10	10020174	610	380	515	16 x 28	38	295	8 - 12 x 23	22	movable	111
400 x 200	16	10020175	610	380	525	16 x 31	38	295	8 - 12 x 23	22	movable	117
400 x 200	25	10023176	610	380	550	16 x 37	38	310	12 x 28	22	movable	129
400 x 250	10	10020170	665	390	515	16 x 28	38	350	12 x 23	26	movable	128
400 x 250	16	10020171	665	390	525	16 x 31	38	355	12 x 28	26	movable	133
400 x 250	25	10023173	665	390	550	16 x 37	38	370	12 x 31	26	movable	146
400 x 300	10	10020172	725	400	515	16 x 28	38	400	12 x 23	32	movable	135
400 x 300	16	10020173	725	400	525	16 x 31	38	410	12 x 28	32	movable	142
400 x 300	25	10023172	725	400	550	16 x 37	38	430	16 x 31	32	movable	160
400 x 350	10	10020188	840	420	515	16 x 28	38	460	16 x 23	36	movable	161
400 x 350	16	10020191	840	420	525	16 x 31	38	470	16 x 28	36	movable	170
400 x 350	25	10023192	840	420	550	16 x 37	38	490	16 x 34	36	movable	184
400 x 400	10	10020176	840	420	515	16 x 28	38	515	16 x 28	38	movable	178
400 x 400	16	10020177	840	420	525	16 x 31	38	525	16 x 31	38	movable	182
400 x 400	25	10023178	840	420	550	16 x 37	38	550	16 x 37	38	movable	191
450 x 450	10	10020216	920	460	565	20 x 28	38	565	20 x 28	38	movable	204
450 x 450	16	10020217	920	460	585	20 x 31	38	585	20 x 31	38	movable	218
450 x 450	25	10023208	920	460	600	20 x 37	38	600	20 x 37	38	movable	234
500 x 100	10	10020218	535	420	620	20 x 28	40	180	8 x 19	21	movable	113

continued on next page

ALL FLANGED TEE

Flanged fittings

DN 40 - 1000 PN10/16/25

10.1200



continued from previous page

Reference and dimensions

DN1 x dn2	PN	code	L mm	H mm	K1 mm	n° x d1 mm	b1 mm	K2 mm	n° x d2 mm	b2 mm	Flange movable / fixed	Kg approx.
500 x 100	16	10020219	535	420	650	20 x 34	40	180	8 x 19	21	movable	127
500 x 100	25	10023218	535	420	660	20 x 37	40	190	8 x 23	21	movable	138
500 x 150	10	10020222	650	440	620	20 x 28	40	240	8 x 23	21	movable	137
500 x 150	16	10020223	650	440	650	20 x 34	40	240	8 x 23	21	movable	151
500 x 150	25	10023224	650	440	660	20 x 37	40	250	8 x 28	21	movable	163
500 x 200	10	10020224	650	440	620	20 x 28	40	295	8 - 12 x 23	22	movable	141
500 x 200	16	10020225	650	440	650	20 x 34	40	295	8 - 12 x 23	22	movable	155
500 x 200	25	10023226	650	440	660	20 x 37	40	310	12 x 28	22	movable	167
500 x 250	10	10020226	885	480	620	20 x 28	40	350	12 x 23	26	movable	184
500 x 250	16	10020227	885	480	650	20 x 34	40	355	12 x 28	26	movable	198
500 x 250	25	10023228	885	480	660	20 x 37	40	370	12 x 31	26	movable	210
500 x 300	10	10020228	885	480	620	20 x 28	40	400	12 x 23	32	movable	190
500 x 300	16	10020229	885	480	650	20 x 34	40	410	12 x 28	32	movable	204
500 x 300	25	10023230	885	480	660	20 x 37	40	430	16 x 31	32	movable	216
500 x 350	10	10023239	885	480	620	20 x 28	40	400	12 x 23	32	movable	224
500 x 350	16	10023231	885	480	650	20 x 34	40	410	12 x 28	32	movable	241
500 x 350	25	10023232	885	480	660	20 x 37	40	430	16 x 31	32	movable	244
500 x 400	10	10020232	885	480	620	20 x 28	40	515	16 x 28	38	movable	224
500 x 400	16	10020233	885	480	650	20 x 34	40	525	16 x 31	38	movable	244
500 x 400	25	10023234	885	480	660	20 x 37	40	550	16 x 37	38	movable	247
500 x 500	10	10020234	1000	500	620	20 x 28	40	620	20 x 28	40	movable	261
500 x 500	16	10020235	1000	500	650	20 x 34	40	650	20 x 34	40	movable	285
500 x 500	25	10023236	1000	500	660	20 x 37	40	660	20 x 37	40	movable	296
600 x 100	10	10020246	700	500	725	20 x 31	46	180	8 x 19	21	movable	224
600 x 100	16	10020247	700	500	770	20 x 37	46	180	8 x 19	21	movable	255
600 x 100	25	10023248	700	500	770	20 x 41	46	190	8 x 23	21	movable	278
600 x 150	10	10020250	700	500	725	20 x 31	46	240	8 x 23	21	movable	228
600 x 150	16	10020251	700	500	770	20 x 37	46	240	8 x 23	21	movable	259
600 x 150	25	10023252	700	500	770	20 x 41	46	250	8 x 28	21	movable	282
600 x 200	10	10020252	700	500	725	20 x 31	46	295	8 - 12 x 23	22	movable	232
600 x 200	16	10020253	700	500	770	20 x 37	46	295	8 - 12 x 23	22	movable	263
600 x 200	25	10023254	700	500	770	20 x 41	46	310	12 x 28	22	movable	286
600 x 250	10	10020254	930	540	725	20 x 31	46	350	12 x 23	26	movable	271
600 x 250	16	10020255	930	540	770	20 x 37	46	355	12 x 28	26	movable	302
600 x 250	25	10023256	930	540	770	20 x 41	46	370	12 x 31	26	movable	325
600 x 300	10	10020256	930	540	725	20 x 31	46	400	12 x 23	32	movable	267
600 x 300	16	10020257	930	540	770	20 x 37	46	410	12 x 28	32	movable	308
600 x 300	25	10023258	930	540	770	20 x 41	46	430	16 x 31	32	movable	331
600 x 400	10	10020260	930	540	725	20 x 31	46	515	16 x 28	38	movable	295
600 x 400	16	10020261	930	540	770	20 x 37	46	525	16 x 31	38	movable	325
600 x 400	25	10023260	930	540	770	20 x 41	46	550	16 x 37	38	movable	351
600 x 500	10	10020262	1165	580	725	20 x 31	46	620	20 x 28	40	movable	342
600 x 500	16	10020263	1165	580	770	20 x 37	46	650	20 x 34	40	movable	372
600 x 500	25	10023264	1165	580	770	20 x 41	46	660	20 x 37	40	movable	398
600 x 600	10	10020264	1165	580	725	20 x 31	46	725	20 x 31	46	movable	450
600 x 600	16	10020265	1165	580	770	20 x 37	46	770	20 x 37	46	movable	-
600 x 600	25	10023266	1165	580	770	20 x 41	46	770	20 x 41	46	movable	-
700 x 700	10	10140000	1200	600	840	24 x 31	32.5	840	24 x 31	32.5	fixed	707

continued on next page

ALL FLANGED TEE
Flanged fittings
DN 40 - 1000 PN10/16/25

10.1200



continued from previous page

Reference and dimensions

DN1 x dn2	PN	code	L mm	H mm	K1 mm	n° x d1 mm	b1 mm	K2 mm	n° x d2 mm	b2 mm	Flange movable / fixed	Kg approx.
700 x 700	16	10140005	1200	600	840	24 x 37	39.5	840	24 x 37	39.5	fixed	-
700 x 700	25	10140007	1200	600	875	24 x 44	46.5	875	24 x 44	46.5	fixed	-
800 x 800	10	10140125	1350	675	950	24 x 34	35	950	24 x 34	35	fixed	860
800 x 800	16	10140130	1350	675	950	24 x 41	43	950	24 x 41	43	fixed	-
800 x 800	25	10140133	1350	675	990	24 x 50	51	990	24 x 50	51	fixed	-
900 x 900	10	10140250	1500	750	1050	28 x 34	37.5	1050	28 x 34	37.5	fixed	1100
900 x 900	16	10140255	1500	750	1050	28 x 41	46.5	1050	28 x 41	46.5	fixed	-
900 x 900	25	10140257	1500	750	1090	28 x 50	55.5	1090	28 x 50	55.5	fixed	-
1000 x 1000	10	10140375	1650	825	1160	28 x 37	40	1160	28 x 37	40	fixed	1513
1000 x 1000	16	10140380	1650	825	1170	28 x 44	50	1170	28 x 44	50	fixed	-
1000 x 1000	25	10140383	1650	825	1210	28 x 57	60	1210	28 x 57	60	fixed	-



Fucoli Somepal
 FUNDIÇÃO DE FERRO, S.A.

Visit our website at www.fucoli-somepal.pt

Head office: Estrada de Coselhas, 3000-125 Coimbra – Portugal | Tel.: (+351) 239 490100 | Fax: (+351) 239 490198

Branch office: Rua de Aveiro 50, 3050-420 Pampilhosa – Portugal | Tel.: (+351) 239 490100 | Fax: (+351) 231 949292 | comercial@fucoli-somepal.pt

