

FLANGED SPIGOT CONNECTION

11.2400

Flanged fittings

DN 40 - 1200 PN10/16



Product description

- Flanged spigot connection for waste water

Standards

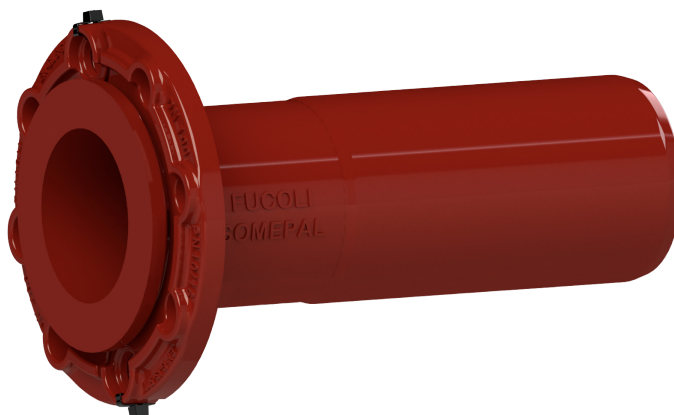
- Designed according to EN 545
- Flange drilling to EN 1092-2 PN10/16

Corrosion protection

- Epoxy powder coating RAL 3011
- Applied internal and external with a minimum coating thickness of 250 µm
- Fusion bonded epoxy coating according EN 14901 and GSK (RAL-GZ662) guidelines

Features

- Fitting for waste water
- Body and flange in ductile cast iron EN-GJS-500-7
- Fast and easy to install
- Accessory with movable flanges up to DN 600 (inclusive) and fixed flanges from DN 700
- The flanged fittings for sewerage applications from Fucoli-Somepal have CE mark in accordance with standard EN 598 annex ZA.



Fucoli Somepal
FUNDAÇÃO DE FERRO, S. A.

Visit our website at www.fucoli-somepal.pt

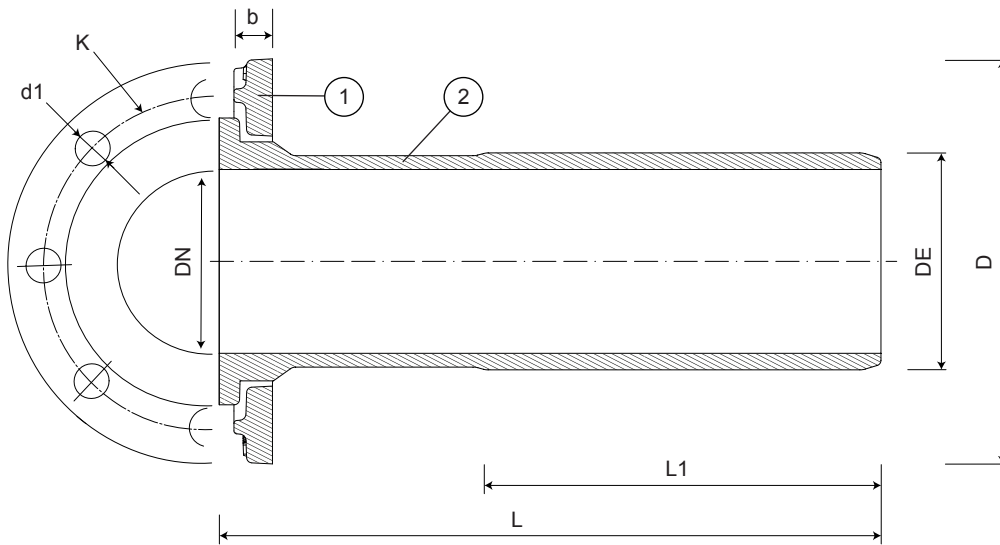
Head office: Estrada de Coselhas, 3000-125 Coimbra – Portugal | Tel.: (+351) 239 490100 | Fax: (+351) 239 490198

Branch office: Rua de Aveiro 50, 3050-420 Pampilhosa – Portugal | Tel.: (+351) 239 490100 | Fax: (+351) 231 949292 | comercial@fucoli-somepal.pt

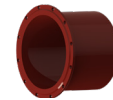
FLANGED SPIGOT CONNECTION

Flanged fittings
DN 40 - 1200 PN10/16

11.2400



DN 40 to DN 600



DN 700 to DN 1200

Component list

pos.	components	material	standard
1	Flange	Ductile iron EN-GJS-500-7	EN 1563
2	Body	Ductile iron EN-GJS-500-7	EN 1563

Reference and dimensions

DN	DE	PN	code	L mm	L1 mm	K mm	n° x d1 mm	b mm	D mm	Flange movable / fixed	Kg approx.
40	56	10/16	10092010	335	200	110	4 x 19	21	150	movable	5
50	66	10/16	10092020	340	200	125	4 x 19	21	165	movable	6
60	77	10/16	10092030	345	200	135	4 x 19	21	175	movable	6
65	82	10/16	10092040	345	200	145	4 x 19	21	185	movable	7
80	98	10/16	10092050	350	215	160	8 x 19	21	200	movable	8
100	118	10/16	10092060	360	215	180	8 x 19	21	220	movable	12
125	144	10/16	10092070	370	220	210	8 x 19	21	250	movable	13
150	170	10/16	10092080	380	225	240	8 x 23	21	285	movable	16
200	222	10/16	10092090	400	230	295	8 - 12 x 23	22	340	movable	24
250	274	10	10092100	420	240	350	12 x 23	26	400	movable	34
250	274	16	10092105	420	240	355	12 x 28	26	400	movable	34
300	326	10	10092110	440	250	400	12 x 23	32	455	movable	50
300	326	16	10092115	440	250	410	12 x 28	32	455	movable	50
350	378	10	10092120	460	260	460	16 x 23	36	505	movable	56
350	378	16	10092125	460	260	470	16 x 28	36	520	movable	58
400	429	10	10092130	480	270	515	16 x 28	38	565	movable	78
400	429	16	10092135	480	270	525	16 x 31	38	580	movable	80
450	480	10	10092140	500	280	565	20 x 28	38	615	movable	86
450	480	16	10092145	500	280	585	20 x 31	38	640	movable	91
500	532	10	10092150	520	290	620	20 x 28	40	670	movable	113
500	532	16	10092155	520	290	650	20 x 34	40	715	movable	122
600	635	10	10092160	560	310	725	20 x 31	46	780	movable	160
600	635	16	10092165	560	310	770	20 x 37	46	840	movable	165
700	738	10	10092170	600	330	840	24 x 31	32.5	895	fixed	250
700	738	16	10092175	600	330	840	24 x 37	39.5	910	fixed	260
800	842	10	10092180	600	330	950	24 x 34	35	1015	fixed	300
800	842	16	10092185	600	330	950	24 x 41	43	1025	fixed	315
900	945	10	10092190	600	330	1050	28 x 34	37.5	1115	fixed	330

continued on next page

FLANGED SPIGOT CONNECTION

Flanged fittings

DN 40 - 1200 PN10/16

11.2400



continued from previous page

DN	DE	PN	code	L mm	L1 mm	K mm	n° x d1 mm	b mm	D mm	Flange movable / fixed	Kg approx.
900	945	16	10092195	600	330	1050	28 x 41	46.5	1125	fixed	350
1000	1048	10	10092200	600	330	1160	28 x 37	40	1230	fixed	352
1000	1048	16	10092205	600	330	1170	28 x 44	50	1255	fixed	374
1200	1255	10	10092210	600	330	1380	32 x 41	45	1455	fixed	454
1200	1255	16	10092215	600	330	1390	32 x 50	57	1485	fixed	503



Fucoli Somepal
FUNDIÇÃO DE FERRO, S.A.

Visit our website at www.fucoli-somepal.pt

Head office: Estrada de Coselhas, 3000-125 Coimbra – Portugal | Tel.: (+351) 239 490100 | Fax: (+351) 239 490198

Branch office: Rua de Aveiro 50, 3050-420 Pampilhosa – Portugal | Tel.: (+351) 239 490100 | Fax: (+351) 231 949292 | comercial@fucoli-somepal.pt

