



Product description

- Fire hydrant series SOMEPAL with incorporates bend prepared for water supply in firefighting, supply of potable water and filtered neutral liquids
- Service temperature from 0°C (excluding frost) to 70°C
- Maximum allowable operating pressure (PFA); Allowable maximum operating pressure PN20 (PMA); Allowable test pressure PN25 (PEA)

Standards

- Designed according to EN14384 and EN 1074-6
- Flange drilling to EN 1092-2

Tests

All fire hydrant are individually hydrostatically tested according to EN 1074-6 and EN 14384

Corrosion protection

- Epoxy coating inside and outside, approved for potable water, with a minimum thickness of 250 µm, approved epoxy coating fusion bonded according EN 14901 and GSK (RAL-GZ662) guidelines; the exterior above the ground line is coated with a second finish in enamel and polyurethane, in a red color resistant to UV rays

Approvals

- Certified according to EN 14384: Certif certificate ESI-001/2023
- CE mark according to EN 14384: Performance Statement certificate 1328-CPR-0065
- ACS Potability Certificate 23 ACC NY 534

Others

- Fucoli-Somepal is registered with the ANPC under No. 197 (under Ordinance 773/2009)
- Fucoli-Somepal is vogal at CT 46/SC2/SG1-1 (hydrant)

Features

- For water supply in fire fighting and supply of drinking water and neutral liquids
- Simple installation and quick operation
- When installed and after loosening the fusible flange bolts, they allow the upper body to rotate 360°
- Equipped with storz plugs that include a depressurization mechanism that makes it possible to release the internal pressure
- Easy maintenance, with removable sealing system, without having to remove the hydrant from the pipeline
- In the event of an occasional impact that causes a break, sectioning of the frame occurs through the fracture of the fuse flange, allowing its repair under load using only the replacement kit
- Fire frame comes equipped with an integrated drainage system (dry column - Type C). When the column is closed, it automatically empties. Landmark drain time 6,4 minutes
- Fire frame supplied as standard with DN100 double flanged 90° duckfoot bend, on request it can be supplied with movable flanged uPVC socket 90° duckfoot bend, on request it can be supplied with flanged reduction bend of DN100/80, or flange/mouth bend for PVC pipe DN100/110 or DN100/90 with duckfoot
- Accessories: key for fire hydrants [ref.07.500], key for inviolable blank caps [ref. 07.500] and replacement kit [ref. 07.501]
- On request, the fire hydrant can be supplied in other colors; with red bonnet; stem in stainless steel AISI 316L or other; inviolable bank cap or seals in NBR.



Fucoli Somepal
FUNDAÇÃO DE FERRO, S. A.

Visit our website at www.fucoli-somepal.pt

Head office: Estrada de Coselhas, 3000-125 Coimbra – Portugal | Tel.: (+351) 239 490100 | Fax: (+351) 239 490198

Branch office: Rua de Aveiro 50, 3050-420 Pampilhosa – Portugal | Tel.: (+351) 239 490100 | Fax: (+351) 231 949292 | comercial@fucoli-somepal.pt

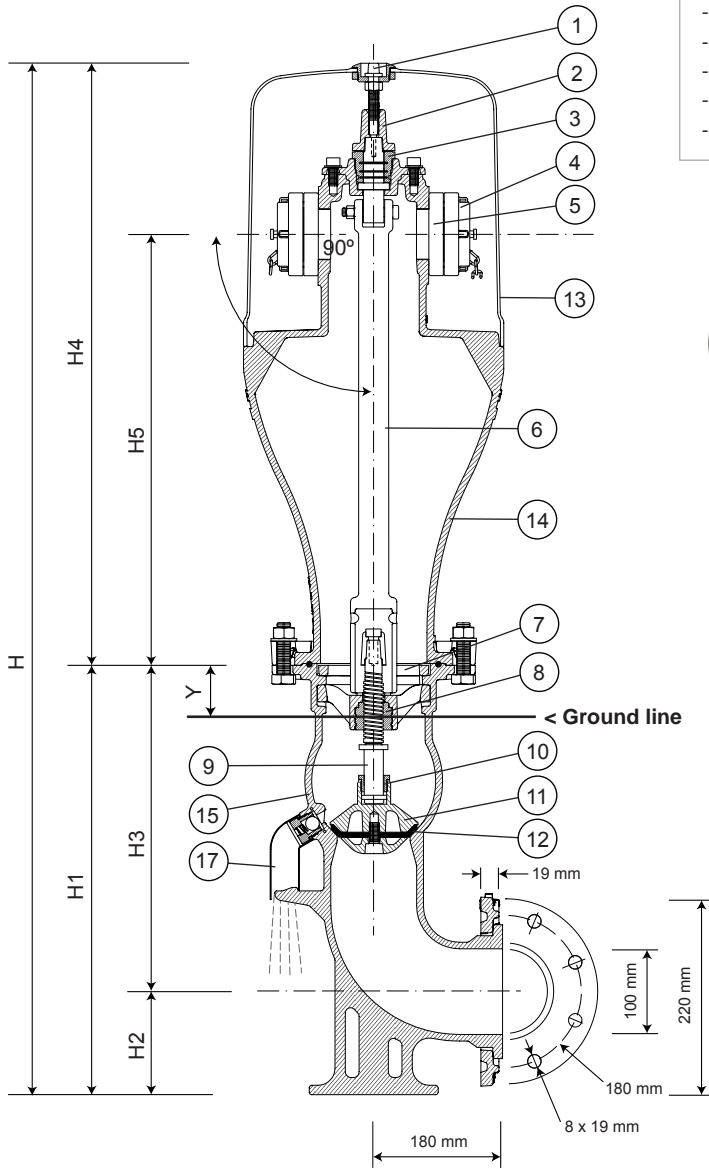
FIRE HYDRANT SOMEPAL
with incorporated bend
 DN 100 - PN16

07.101



Terms of use

- Allowable operating pressure (PFA) 16 bar
- Number of turns to open fully: 10 turns left
- Drain valve maximum flow time 6,4 min/m
- Volume of retained water 10 ml
- Maximum operating torque (MOT): 125Nm
- Minimum strength torque (mST): 250Nm



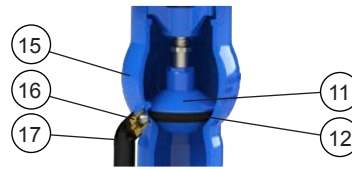
Storz blank caps



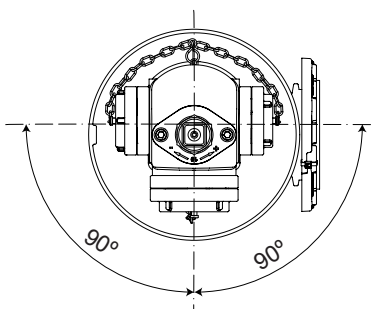
White bonnet, optionally, could be supplied with outlet jackets in red or personalized



In case of occasional impact, use only the replacement kit



System drainage



HIDRAULIC CHARACTERISTICS
 Minimum flow coefficient for
 different connection types
 and MI height

storz	(Kv)
52 (DN 50)	69
75 (DN 65)	112
110 (DN 100)	164

continued on next page

FIRE HYDRANT SOMEPAL
with incorporated bend
 DN 100 - PN16

07.101



continued from previous page

Component list

pos.	components	material	standard
1	Bonnet washer	Brass	EN 12164
2	Stem cap	Ductile iron EN-GJS-500-7	EN 1563
3	Upper body gland	Brass	EN 12164
4	Storz cap	Aluminum	-
5	Storz coupling	Aluminum	-
6	Upper stem rod	Ductile iron EN-GJS-500-7	EN 1563
7	Suport	Ductile iron EN-GJS-500-7	EN 1563
8	Wedge nut	Brass	EN 12164
9	Stem	Stainless steel AISI 420	EN 10088 - 1
10	Obturator fixed nut	Brass	EN 12164
11	Obturator	Ductile iron EN-GJS-500-7	EN 1563
12	Obturator joint	Elastomer EPDM WA	EN 681 - 1
13	Cover	Glass fiber	-
14	Body superior	Ductile iron EN-GJS-500-7	EN 1563
15	Body inferior	Ductile iron EN-GJS-500-7	EN 1563
16	Automatic ball drain	Brass	-
17	Drain pipe	PE	-
18	Flange fuse	Ductile iron EN-GJS-500-7	EN 1563
19	Nuts	Stainless steel A4	EN 10088 - 1
20	Washers	Stainless steel A2	EN 10088 - 1
21	Bolts	Stainless steel A2	EN 10088 - 1

Reference and dimensions

DN	code	Y mm	H mm	H1 mm	H2 mm	H3 mm	H4 mm	H5 mm	water outlets			turns to open	Kg approx.
									type	front	side		
100	11209610*	60	1200	500	120	380	700	500	Storz	110	75 52	10	59
100	11209605*	60	1200	500	120	380	700	500	Storz	110	75 75	10	59
100	11209615*	60	1200	500	120	380	700	500	Storz	75	52 52	10	59
100	-	60	1200	500	120	380	700	500	Barcelona	100	70 70	10	59
100	-	60	1200	500	120	380	700	500	Barcelona	70	45 45	10	59
100	112096101	60	1200	500	120	380	700	500	UNI	-	70 70	10	59

* With red bonnet, add "VM" to the fire hydrant Somepal code



Fucoli Somepal
 FUNDAÇÃO DE FERRO, S. A.

Visit our website at www.fucoli-somepal.pt

Head office: Estrada de Coselhas, 3000-125 Coimbra – Portugal | Tel.: (+351) 239 490100 | Fax: (+351) 239 490198

Branch office: Rua de Aveiro 50, 3050-420 Pampilhosa – Portugal | Tel.: (+351) 239 490100 | Fax: (+351) 231 949292 | comercial@fucoli-somepal.pt



100% MADE IN EUROPE