

DOUBE SOCKET TEE FOR uPVC WITH THREADED BRANCH

11.1500

Fittings for uPVC pipes
63 - 400 PN16



Product description

- Double socket tee for uPVC pipes with threaded branch for waste water
- Service temperature from 0°C (excluding frost) to 70°C

Standards

- Designed according to EN 12842
- For uPVC pipes according EN ISO 1452-2

Corrosion protection

- Epoxy powder coating RAL 3011
- Applied internal and external with a minimum coating thickness of 250 µm
- Fusion bonded epoxy coating according EN 14901 and GSK (RAL-GZ662) guidelines

Features

- Fitting for waste water uPVC pipes connection
- Body in ductile cast iron (EN-GJS-500-7)
- Fast and easy to install
- Socket ends with NBR double lip seal ring to ensure a perfect sealing
- Maximum working pressure 16 bar, the maximum working and test pressure must be in accordance with the pipe standard
- This fitting does not guarantee the pipe blocking, they must be anchored by other means.



100% MADE IN EUROPE



Fucoli Somepal
FUNDAÇÃO DE FERRO, S.A.

Visit our website at www.fucoli-somepal.pt

Head office: Estrada de Coselhas, 3000-125 Coimbra – Portugal | Tel.: (+351) 239 490100 | Fax: (+351) 239 490198

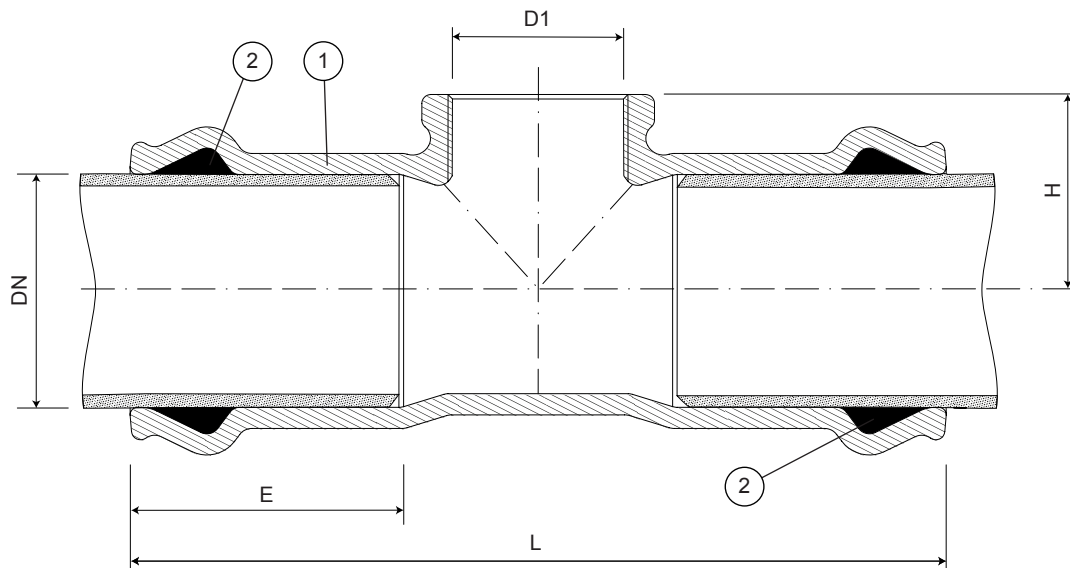
Branch office: Rua de Aveiro 50, 3050-420 Pampilhosa – Portugal | Tel.: (+351) 239 490100 | Fax: (+351) 231 949292 | comercial@fucoli-somepal.pt

DOUBE SOCKET TEE FOR uPVC WITH THREADED BRANCH

Fittings for uPVC pipes

63 - 400 PN16

11.1500



Component list

pos.	components	material	standard
1	Body	Ductile iron EN-GJS-500-7	EN 1563
2	Sealing ring	Elastomer NBR	EN 681 - 1

Reference and dimensions

ø D ext. PE/uPVC	D1 (BSP)	code	L mm	H mm	E mm	Kg approx.
63	G 1 1/2"	1045600301	258	59	88	4
63	G 2"	1046606201	258	59	88	4
75	G 1 1/2"	1045600201	270	64	90	4
75	G 2"	1045630501	270	64	90	4
90	G 1 1/2"	1045600101	291	81	97	6
90	G 2"	1045630701	291	81	97	6
90	G 2 1/2"	1045630801	306	81	97	6
110	G 1 1/2"	1045600501	315	90	105	7
110	G 2"	1045640701	315	90	105	7
110	G 2 1/2"	1045640801	330	90	105	8
125	G 1 1/2"	1045600401	332	97	108	8
125	G 2"	1045650701	332	97	108	8
140	G 1 1/2"	1045641201	340	104	110	10
140	G 2"	1045641001	340	104	110	10
160	G 1 1/2"	1045642201	370	113	123	12
160	G 2"	1045642001	370	113	123	12
200	G 1 1/2"	1045645201	410	145	132	16
200	G 2"	1045600701	410	145	132	17
250	G 1 1/2"	1045643201	462	166	145	24
250	G 2"	1045643001	462	166	145	24
315	G 2"	1045644001	516	195	160	38
400	G 1 1/2"	10456445002	562	245	173	60
400	G 2"	10456445001	562	245	173	60



Fucoli Somepal
FUNDAÇÃO DE FERRO, S. N.

Visit our website at www.fucoli-somepal.pt

Head office: Estrada de Coselhas, 3000-125 Coimbra – Portugal | Tel.: (+351) 239 490100 | Fax: (+351) 239 490198

Branch office: Rua de Aveiro 50, 3050-420 Pampilhosa – Portugal | Tel.: (+351) 239 490100 | Fax: (+351) 231 949292 | comercial@fucoli-somepal.pt



100% MADE IN EUROPE