

RECESSED ROUND MANHOLE COVER

SERIES FUCOLI

B125, C250 and D400

12.500



Product description

- Recessed round manhole cover series FUCOLI
- Water based black painting

Installation location

- Class B125 - Footways, pedestrian areas and comparable areas, car parks or car parking decks
- Class C250 - For gully tops, installed in the area of kerbside channels of roads which when measured from the kerb edge, extends a maximum of 0,5 m into the carriageway and a maximum of 0,2 m into the pedestrian area
- Class D400 - Carriageways of roads (including pedestrian streets), hard shoulders and parking areas for all types of road vehicles

Standards

- Designed according to EN 124-1/2

Features

- Ductile cast iron cover and frame (EN-GJS-500-7) with water based black painting
- With hydraulic sealing to prevent the odours
- Allow a block paving infill, in this way dissimulate the manhole cover presence fitting it with the involving space
- Model used in historical and pedestrian areas.



Fucoli Somepal
FUNDAÇÃO DE FERRO, S. A.

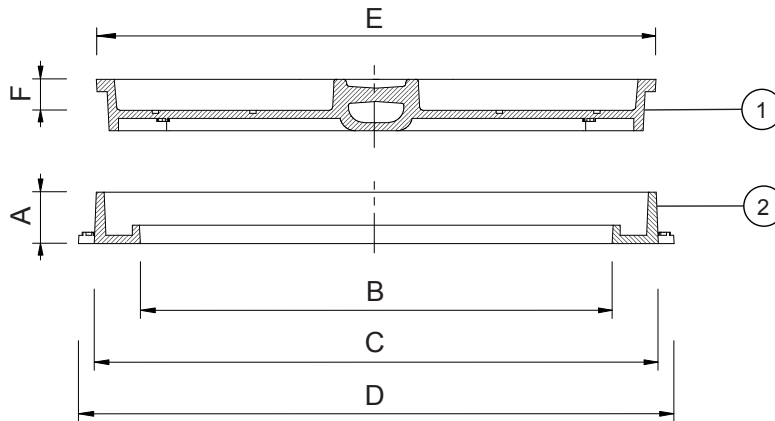
Visit our website at www.fucoli-somepal.pt

Head office: Estrada de Coselhas, 3000-125 Coimbra – Portugal | Tel.: (+351) 239 490100 | Fax: (+351) 239 490198

Branch office: Rua de Aveiro 50, 3050-420 Pampilhosa – Portugal | Tel.: (+351) 239 490100 | Fax: (+351) 231 949292 | comercial@fucoli-somepal.pt

RECESSED ROUND MANHOLE COVER
SERIES FUCOLI
B125, C250 and D400

12.500



Component list

pos.	components	material	standard
1	Cover	Ductile iron EN-GJS-500-7	EN 1563
2	Frame	Ductile iron EN-GJS-500-7	EN 1563

Reference and dimensions

Model - DN - Class	code	Frame				Cover		hydraulic sealing Y / N	Weight	
		height mm	clear opening mm	Ø external mm	Ø ext. with stone-bolt mm	Ø external mm	recessed height mm		Cover kg	Total kg
		A	B	C	D	E	F		approx.	approx.
Fucoli 500 - C250	24B3BY3FNDAZZZZ00AA	50	460	580	580	545	30	Y	21	32
Fucoli 600 - B125	24B4CI2FNFAZZZZ00AA	75	600	720	720	686	50	Y	27	45
Fucoli 600 - D400	24B4CI4FNFAZZZZ00AA	75	600	720	720	686	50	Y	43	61



Fucoli Somepal
 FUNDAÇÃO DE FERRO, S.A.

Visit our website at www.fucoli-somepal.pt

Head office: Estrada de Coselhas, 3000-125 Coimbra – Portugal | Tel.: (+351) 239 490100 | Fax: (+351) 239 490198

Branch office: Rua de Aveiro 50, 3050-420 Pampilhosa – Portugal | Tel.: (+351) 239 490100 | Fax: (+351) 231 949292 | comercial@fucoli-somepal.pt

