

# **DISMANTLING JOINT**

with steel zinc plated bolts  
**DN 40 - 1200 PN10/16/25/40**

08.600



## **Product description**

- Dismantling joint with steel zinc plated bolts for drinking water and neutral liquids
- Service temperature from 0°C (excluding frost) to 70°C

## **Standards**

- Flange drilling to EN 1092-2 PN10/16/25/40

## **Tests**

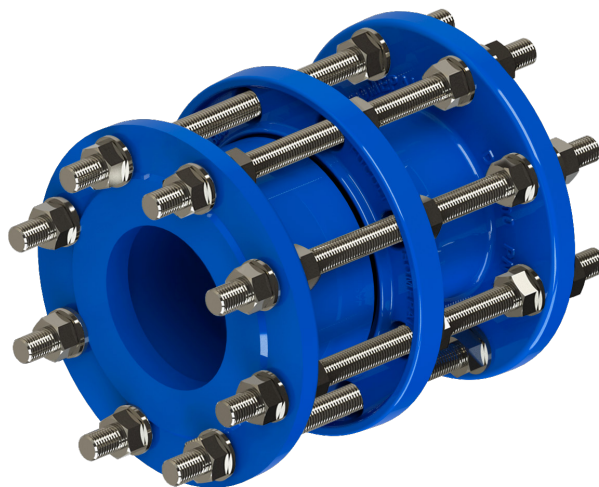
- Tested according to EN 12266-1

## **Corrosion protection**

- Epoxy powder coating RAL 5005
- Applied internal and external with a minimum coating thickness of 250 µm
- Potable water approved epoxy coating fusion bonded according EN 14901 and GSK (RAL-GZ662) guidelines

## **Features**

- Dismantling joint for drinking water
- Facilitates installation and disassembly of flanged pipework and fittings, or equipment with flanges, such as valves, meters and pumps
- Allows for 50mm axis/longitudinal adjustments across the entire range
- Appropriate for pipe force transmission
- It consists of two main flanged parts, which slide between them, and a loose flange that compresses the sealing
- EPDM sealing gaskets drinking water approved
- Equipped with continuous threaded bolts, no additional screws are required for joint assembly
- On request possibility of NBR sealing.



**Fucoli Somepal**  
FUNDAÇÃO DE FERRO, S.A.

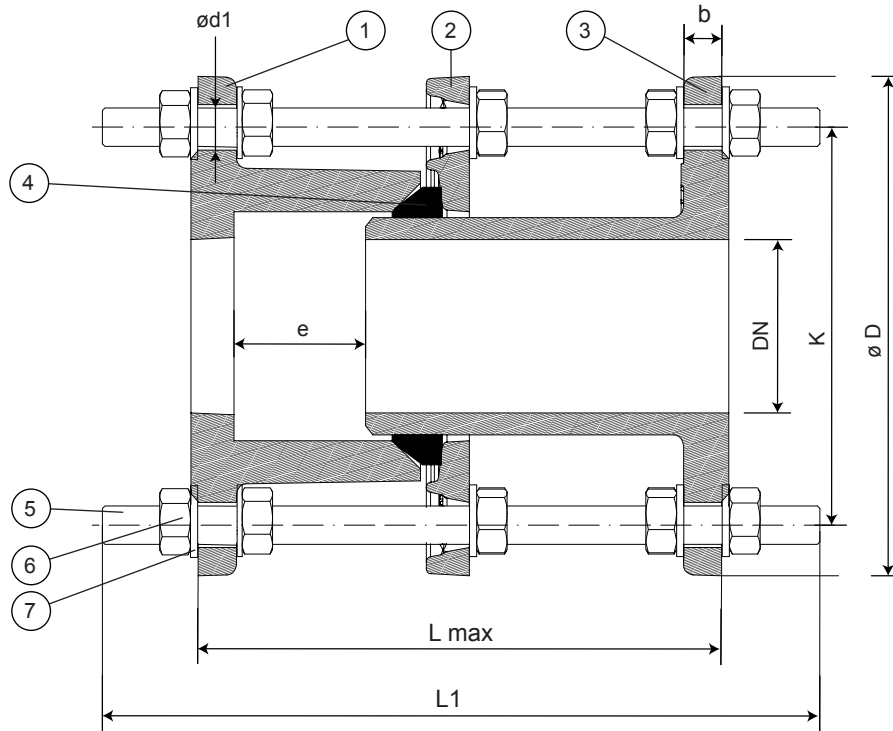
Visit our website at [www.fucoli-somepal.pt](http://www.fucoli-somepal.pt)

**Head office:** Estrada de Coselhas, 3000-125 Coimbra – Portugal | Tel.: (+351) 239 490100 | Fax: (+351) 239 490198

**Branch office:** Rua de Aveiro 50, 3050-420 Pampilhosa – Portugal | Tel.: (+351) 239 490100 | Fax: (+351) 231 949292 | [comercial@fucoli-somepal.pt](mailto:comercial@fucoli-somepal.pt)

**DISMANTLING JOINT**  
with steel zinc plated bolts  
**DN 40 - 1200 PN10/16/25/40**

08.600



**Component list**

pos.	components	material	norma	pos.	components	material	norma
1	External flange	Ductile iron EN-GJS-500-7	EN 1563	4	Sealing	Elastomer EPDM	EN 681 - 1
2	Loose flange	Ductile iron EN-GJS-500-7	EN 1563	5	Threaded bolts	Steel zinc plated cl 8.8	ISO 898-1
3	Inside flange	Ductile iron EN-GJS-500-7	EN 1563	6	Nuts	Steel zinc plated cl 8	ISO 898-2
				7	Washers	Steel zinc plated	ISO 898-2

**Reference and dimensions**

DN	PN	code	L max	e	$\varnothing D$	K	n° x d1	b	Kg	threaded bolts	L1
mm			mm	mm	mm	mm	mm	mm	approx.		mm
40	10/16	10101001	205	50	150	110	4 x 19	19	9	4 x M16	300
40	25	10101061	205	50	150	110	4 x 19	19	9	4 x M16	320
40	40	10101101	205	50	150	110	4 x 19	19	9	4 x M16	320
50	10/16	10101002	205	50	165	125	4 x 19	19	10	4 x M16	300
50	25	10101062	205	50	165	125	4 x 19	19	10	4 x M16	320
50	40	10101102	205	50	165	125	4 x 19	19	10	4 x M16	320
60	10/16	10101003	205	50	175	135	4 x 19	19	11	4 x M16	300
60	25	10101063	205	50	175	135	8 x 19	19	11	8 x M16	320
60	40	10101103	205	50	175	135	8 x 19	19	11	8 x M16	320
65	10/16	10101004	205	50	185	145	4 x 19	19	12	4 x M16	300
65	25	10101064	205	50	185	145	8 x 19	19	15	8 x M16	320
65	40	10101104	205	50	185	145	8 x 19	19	15	8 x M16	320
80	10/16	10101005	225	50	200	160	8 x 19	19	17	8 x M16	320
80	25	10101065	225	50	200	160	8 x 19	19	17	8 x M16	320
80	40	10101105	225	50	200	160	8 x 19	19	17	8 x M16	320
100	10/16	10101006	225	50	220	180	8 x 19	19	20	8 x M16	320
100	25	10101066	225	50	235	190	8 x 23	19	26	8 x M20	360
100	40	10101106	225	50	235	190	8 x 23	19	26	8 x M20	360
125	10/16	10101007	225	50	250	210	8 x 19	19	22	8 x M16	320

continued on next page

**DISMANTLING JOINT**  
with steel zinc plated bolts  
**DN 40 - 1200 PN10/16/25/40**

08.600



continued from previous page

DN	PN	code	L max	e	ø D	K	n° x d1	b	Kg	threaded bolts	L1
mm			mm	mm	mm	mm	mm	mm	approx.		mm
125	25	10101067	225	50	270	220	8 x 28	19	39	8 x M24	395
125	40	10101107	235	50	270	220	8 x 28	23.5	40	8 x M24	395
150	10/16	10101008	225	50	285	240	8 x 23	19	30	8 x M20	360
150	25	10101068	225	50	300	250	8 x 28	20	42	8 x M24	395
150	40	10101108	240	50	300	250	8 x 28	26	45	8 x M24	395
200	10	10101009	245	50	340	295	8 x 23	20	41	8 x M20	360
200	16	10101039	245	50	340	295	12 x 23	20	46	12 x M20	380
200	25	10101069	245	50	360	310	12 x 28	22	61	12 x M24	395
200	40	10101098	265	50	375	320	12 x 31	30	82	12 x M27	430
250	10	10101010	245	50	400	350	12 x 23	22	56	12 x M20	360
250	16	10101040	245	50	400	355	12 x 28	22	62	12 x M24	395
250	25	10101070	250	50	425	370	12 x 31	24.5	85	12 x M27	395
250	40	10101099	270	50	450	385	12 x 34	39.5	117	12 x M30	395
300	10	10101011	245	50	455	400	12 x 23	24.5	66	12 x M20	360
300	16	10101041	245	50	455	410	12 x 28	24.5	77	12 x M24	395
300	25	10101071	250	50	485	430	16 x 31	27.5	110	16 x M27	430
300	40	10101100	275	50	515	450	16 x 34	39.5	198	16 x M30	480
350	10	10101012	255	50	505	460	16 x 23	24.5	92	16 x M20	380
350	16	10101042	255	50	520	470	16 x 28	26.5	100	16 x M24	430
350	25	10101081	265	50	555	490	16 x 28	30	160	16 x M30	430
350	40	10101109	295	50	580	510	16 x 37	44	214	16 x M33	480
400	10	10101013	255	50	565	515	16 x 28	24.5	109	16 x M24	430
400	16	10101043	255	50	580	525	16 x 31	28	129	16 x M27	430
400	25	10101072	270	50	620	550	16 x 37	32	198	16 x M33	500
400	40	10101110	305	50	660	585	16 x 41	48	288	16 x M36	550
450	10	10101014	275	50	615	565	20 x 28	25.5	136	16 x M27	430
450	16	10101044	275	50	640	585	20 x 31	30	170	20 x M27	430
450	25	10101073	295	50	670	600	20 x 37	34.5	278	20 x M33	500
450	40	10101111	325	50	685	610	20 x 41	49	381	20 x M36	550
500	10	10101015	285	50	670	620	20 x 28	26.5	152	20 x M24	430
500	16	10101045	285	50	715	650	20 x 34	31.5	219	20 x M30	480
500	25	10101074	305	50	730	660	20 x 37	36.5	266	20 x M33	500
500	40	10101123	335	50	755	670	20 x 44	52	395	20 x M39	570
600	10	10101016	285	50	780	725	20 x 31	30	192	20 x M27	430
600	16	10101046	285	50	840	770	20 x 37	36	299	20 x M33	500
600	25	10101075	310	50	845	770	20 x 41	42	356	20 x M36	550
600	40	10101112	340	50	890	795	20 x 50	58	564	20 x M45	610
700	10	10101017	285	50	895	840	24 x 31	32.5	255	24 x M27	430
700	16	10101047	285	50	910	840	24 x 37	39.5	367	24 x M33	500
700	25	10101076	315	50	960	875	24 x 44	46.5	577	24 x M39	570
700	40	10101113	345	50	995	900	24 x 50	-	758	24 x M45	640
800	10	10101018	315	50	1015	950	24 x 34	35	340	24 x M30	480
800	16	10101048	315	50	1025	950	24 x 41	43	477	24 x M36	550
800	25	10101077	350	50	1085	990	24 x 50	51	692	24 x M45	610
800	40	10101114	420	50	1140	1030	24 x 58	-	1093	24 x M52	750
900	10	10101019	350	50	1115	1050	28 x 34	37.5	427	28 x M30	480

continued on next page

**DISMANTLING JOINT**  
with steel zinc plated bolts  
**DN 40 - 1200 PN10/16/25/40**

08.600



continued from previous page

DN	PN	code	L max	e	ø D	K	n° x d1	b	Kg	threaded bolts	L1
mm			mm	mm	mm	mm	mm	mm	approx.		mm
900	16	10101049	350	50	1125	1050	28 x 41	46.5	547	28 x M36	550
900	25	10101078	385	50	1185	1090	28 x 50	55.5	888	28 x M45	640
900	40	10101115	425	50	1250	1140	28 x 58	-	1325	28 x M52	750
1000	10	10101020	360	50	1230	1160	28 x 37	40	529	28 x M33	540
1000	16	10101050	360	50	1255	1170	28 x 44	50	732	28 x M39	600
1000	25	10101079	400	50	1320	1210	28 x 57	60	1196	28 x M52	680
1000	40	10101116	435	50	1360	1250	28 x 58	-	1488	28 x M52	780
1200	10	10101021	450	50	1455	1380	32 x 41	45	890	32 x M36	670
1200	16	10101051	450	50	1485	1390	32 x 50	57	1196	32 x M45	710



**Fucoli Somepal**  
FUNDAÇÃO DE FERRO, S.A.

Visit our website at [www.fucoli-somepal.pt](http://www.fucoli-somepal.pt)

Head office: Estrada de Coselhas, 3000-125 Coimbra – Portugal | Tel.: (+351) 239 490100 | Fax: (+351) 239 490198

Branch office: Rua de Aveiro 50, 3050-420 Pampilhosa – Portugal | Tel.: (+351) 239 490100 | Fax: (+351) 231 949292 | [comercial@fucoli-somepal.pt](mailto:comercial@fucoli-somepal.pt)

