

DOUBE SOCKET 45° BEND FOR uPVC

Fittings for uPVC pipes

63 - 400 PN10/16/25

10.101



Product description

- Double socket 45° bend for uPVC pipes for drinking water and neutral liquids
- Service temperature from 0°C (excluding frost) to 70°C

Standards

- Designed according to EN 12842
- For uPVC pipes according EN ISO 1452-2

Corrosion protection

- Epoxy powder coating RAL 5005
- Applied internal and external with a minimum coating thickness of 250 µm
- Potable water approved epoxy coating fusion bonded according EN 14901 and GSK (RAL-GZ662) guidelines

Approvals

- ACS Potability Certificate 21 ACC NY 004

Features

- Fitting approved for drinking water for uPVC pipes connection
- Body in ductile cast iron (EN-GJS-500-7)
- Fast and easy to install
- Socket ends with drinking water approved EPDM double lip seal ring to ensure a perfect sealing
- Maximum working pressure 25 bar, the maximum working and test pressure must be in accordance with the pipe standard
- This fitting does not guarantee the pipe blocking, they must be anchored by other means
- On request possibility of sealing ring in NBR.



Fucoli Somepal
FUNDAÇÃO DE FERRO, S. A.

Visit our website at www.fucoli-somepal.pt

Head office: Estrada de Coselhas, 3000-125 Coimbra – Portugal | Tel.: (+351) 239 490100 | Fax: (+351) 239 490198

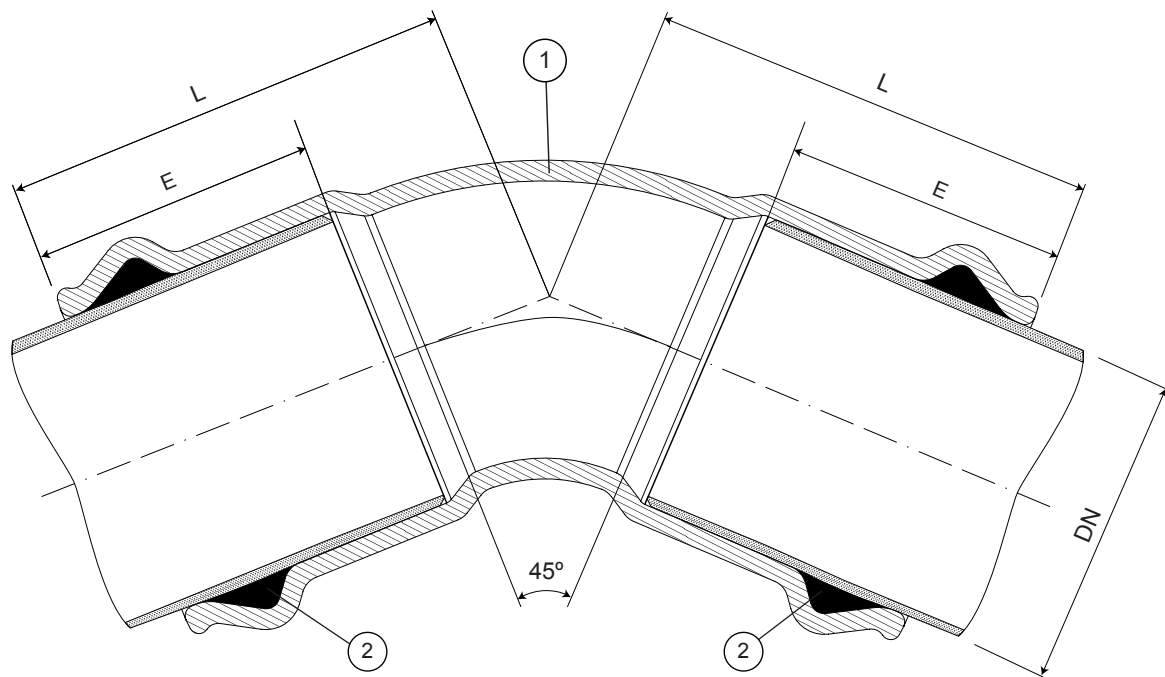
Branch office: Rua de Aveiro 50, 3050-420 Pampilhosa – Portugal | Tel.: (+351) 239 490100 | Fax: (+351) 231 949292 | comercial@fucoli-somepal.pt

DOUBE SOCKET 45° BEND FOR uPVC

Fittings for uPVC pipes

63 - 400 PN10/16/25

10.101



Component list

pos.	components	material	standard
1	Body	Ductile iron EN-GJS-500-7	EN 1563
2	Sealing ring	Elastomer EPDM	EN 681 - 1

Reference and dimensions

$\varnothing D$ ext. PE/uPVC	code	L mm	E mm	Kg approx.
63	1041910001	130	88	3
75	1041911001	137	90	4
90	1041912001	147	97	5
110	1041913001	165	105	8
125	1041914001	172	108	8
140	1041915001	183	110	10
160	1041916001	205	123	12
180	1041916501	215	128	16
200	1041917001	225	132	19
225	1041917501	246	135	23
250	1041918001	263	145	27
315	1041919001	308	160	39
400	1041919501	350	173	60



Fucoli Somepal
FUNDIÇÃO DE FERRO, S.A.

Visit our website at www.fucoli-somepal.pt

Head office: Estrada de Coselhas, 3000-125 Coimbra – Portugal | Tel.: (+351) 239 490100 | Fax: (+351) 239 490198

Branch office: Rua de Aveiro 50, 3050-420 Pampilhosa – Portugal | Tel.: (+351) 239 490100 | Fax: (+351) 231 949292 | comercial@fucoli-somepal.pt



100% MADE IN EUROPE