

DOUBLE FLANGED 90° DUCKFOOT BEND

01.1004

Flanged fittings

DN 40 - 600 PN10/16/25



Product description

- Double flanged 90° duckfoot bend for drinking water and neutral liquids

Standards

- Designed according to EN 545
- Flange drilling to EN 1092-2 PN10/16/25

Corrosion protection

- Epoxy powder coating RAL 5005
- Applied internal and external with a minimum coating thickness of 250 µm
- Potable water approved epoxy coating fusion bonded according to EN 14901 and GSK (RAL-GZ662) guidelines

Approvals

- ACS Potability Certificate 22 ACC NY 023

Features

- Fitting approved for drinking water
- Body and flange in ductile cast iron EN-GJS-500-7
- Fast and easy to install.



Fucoli Somepal
FUNDAÇÃO DE FERRO, S. A.

Visit our website at www.fucoli-somepal.pt

Head office: Estrada de Coselhas, 3000-125 Coimbra – Portugal | Tel.: (+351) 239 490100 | Fax: (+351) 239 490198

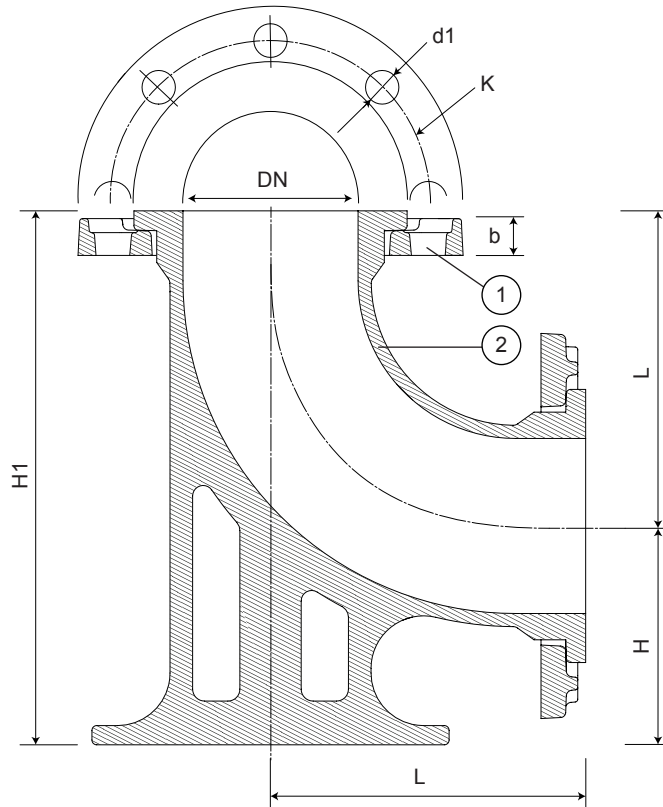
Branch office: Rua de Aveiro 50, 3050-420 Pampilhosa – Portugal | Tel.: (+351) 239 490100 | Fax: (+351) 231 949292 | comercial@fucoli-somepal.pt

DOUBLE FLANGED 90° DUCKFOOT BEND

Flanged fittings

DN 40 - 600 PN10/16/25

01.1004



Component list

pos.	components	material	standard
1	Flange	Ductile iron EN-GJS-500-7	EN 1563
2	Body	Ductile iron EN-GJS-500-7	EN 1563

Reference and dimensions

DN	PN	code	L mm	H mm	H1 mm	K mm	n° x d1 mm	b mm	Kg approx.
40	10/16	10001015	140	87	227	110	4 x 19	21	8
40	25	10001515	140	87	227	110	4 x 19	21	8
50	10/16	10001025	150	95	245	125	4 x 19	21	9
50	25	10001525	150	95	245	125	4 x 19	21	9
60	10/16	10001035	165	100	265	135	4 x 19	21	12
60	25	10001535	165	100	265	135	8 x 19	21	12
65	10/16	10001045	165	100	265	145	4 x 19	21	12
65	25	10001545	165	100	265	145	8 x 19	21	12
80	10/16	10001055	165	110	275	160	8 x 19	21	13
80	25	10001555	165	110	275	160	8 x 19	21	13
100	10/16	10001065	180	125	305	180	8 x 19	21	16
100	25	10001565	180	125	305	190	8 x 23	21	16
125	10/16	10001076	200	140	340	210	8 x 19	21	20
125	25	10001575	200	140	340	220	8 x 28	21	21
150	10/16	10001079	220	160	380	240	8 x 23	21	26
150	25	10001585	220	160	380	250	8 x 28	21	27
200	10/16	10001087	260	190	450	295	8 - 12 x 23	22	38
200	25	10001595	260	190	450	310	12 x 28	22	40
250	10	10001092	350	225	575	350	12 x 23	26	65
250	16	10001093	350	225	575	355	12 x 28	26	65
250	25	10001605	350	225	575	370	12 x 31	26	68
300	10	10001097	400	255	655	400	12 x 23	32	94
300	16	10001100	400	255	655	410	12 x 28	32	94

continued on next page

All the drawing, technical data, dimensions and weights are not binding. Subject to change. The components may be replaced by equivalent or higher materials without prior notice.

Ed.8 Rev. 4 2/3

DOUBLE FLANGED 90° DUCKFOOT BEND

Flanged fittings

DN 40 - 600 PN10/16/25

01.1004



continued from previous page

DN	PN	code	L mm	H mm	H1 mm	K mm	n° x d1 mm	b mm	Kg approx.
300	25	10001615	400	255	655	430	16 x 31	32	99
350	10	10001105	450	290	740	460	16 x 23	36	134
350	16	10001110	450	290	740	470	16 x 28	36	137
350	25	10001625	450	290	740	490	16 x 34	36	140
400	10	10001125	500	320	820	515	16 x 28	38	181
400	16	10001128	500	320	820	525	16 x 31	38	181
400	25	10001635	500	320	820	550	16 x 37	38	198
500	10	10001135	600	385	985	620	20 x 28	40	253
500	16	10001140	600	385	985	650	20 x 34	40	271
500	25	10001655	600	385	985	660	20 x 37	40	283
600	10	10001145	700	450	1150	725	20 x 31	46	344
600	16	10001148	700	450	1150	770	20 x 37	46	364
600	25	10001665	700	450	1150	770	20 x 41	46	380



Fucoli Somepal
FUNDAÇÃO DE FERRO, S. A.

Visit our website at www.fucoli-somepal.pt

Head office: Estrada de Coselhas, 3000-125 Coimbra – Portugal | Tel.: (+351) 239 490100 | Fax: (+351) 239 490198

Branch office: Rua de Aveiro 50, 3050-420 Pampilhosa – Portugal | Tel.: (+351) 239 490100 | Fax: (+351) 231 949292 | comercial@fucoli-somepal.pt

