

# FLANGE ADAPTOR FOR DUCTILE CAST IRON DN 50 - 600 PN10/16

09.300



## Product description

- Flange adaptor for ductile cast iron pipes for drinking water and neutral liquids
- Service temperature from 0°C (excluding frost) to 70°C

## Standards

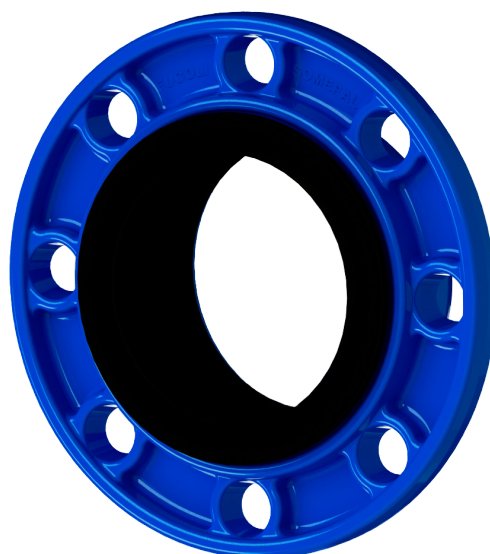
- Designed according to EN 545
- Flange drilling to EN 1092-2 (ISO 7005-2) PN 10/16

## Corrosion protection

- Epoxy powder coating RAL 5005
- Applied internal and external with a minimum coating thickness of 250 µm
- Potable water approved epoxy coating fusion bonded according EN 14901 and GSK (RAL-GZ662) guidelines

## Features

- Flange adaptor for drinking water
- Body in ductile cast iron (EN-GJS-500-7)
- Sealing ring with drinking water approved EPDM
- Simple and fast instalation
- Flanged fitting connecting any flanged component
- Allow a maximum deflection angles 3.5°
- Double flange drilling PN 10/16 for DN 50 to DN 350
- Maximum working pressure 16 bar, the max. pressure of service according to pipe standard
- This accessory does not guarantee the locking of the tubes, they must be anchored by other means
- Accessories: kit flange in steel zinc plated [ref. 15.500] or kit flange in stainless steel [ref. 15.510]
- On request possibility of sealing ring in NBR.



100% MADE IN EUROPE



**Fucoli Somepal**  
FUNDAÇÃO DE FERRO, S.A.

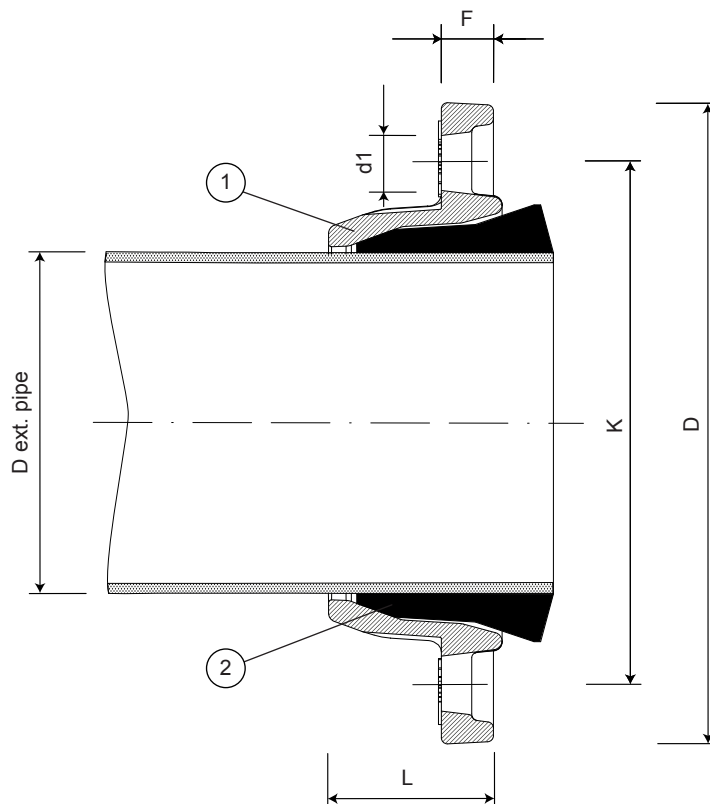
Visit our website at [www.fucoli-somepal.pt](http://www.fucoli-somepal.pt)

**Head office:** Estrada de Coselhas, 3000-125 Coimbra – Portugal | Tel.: (+351) 239 490100 | Fax: (+351) 239 490198

**Branch office:** Rua de Aveiro 50, 3050-420 Pampilhosa – Portugal | Tel.: (+351) 239 490100 | Fax: (+351) 231 949292 | [comercial@fucoli-somepal.pt](mailto:comercial@fucoli-somepal.pt)

# FLANGE ADAPTOR FOR DUCTILE CAST IRON DN 50 - 600 PN10/16

09.300



## Component list

pos.	components	material	standard
1	Flange	Ductile iron EN-GJS-500-7	EN 1563
2	Sealing ring	Elastomer EPDM	EN 681 - 1

## Reference and dimensions

DN	D ext.	PN	code	D mm	L mm	F mm	K mm	n° x d1 mm	Kg approx.
50	66	10/16	10135010	165	45	21	125	4 x 19	2
60/65	77	10/16	10135020	185	48	21	135/145	4 x 19	3
65	82	10/16	10135030	185	48	21	145	4 x 19	3
80	98	10/16	10135040	200	56	21	160	8 x 19	3
100	118	10/16	10135050	220	60	21	180	8 x 19	4
125	144	10/16	10135060	250	65	21	210	8 x 19	5
150	170	10/16	10135070	285	70	22	240	8 x 23	6
200	222	10/16	10135080	340	89	22	295	8-12 x 23	9
250	274	10/16	10135090	400	101	22	350/355	12 x 23/28	12
300	326	10/16	10135100	455	104	24.5	400/410	12 x 23/28	15
350	378	10/16	10135110	520	114	29	460/470	16 x 23/28	22
400	429	10	10135120	565	124	29	515	16 x 28	24
400	429	16	10135125	580	124	29	525	16 x 31	31
450	480	10	10135130	615	131	30	565	20 x 28	29
450	480	16	10135135	640	131	30	585	20 x 31	32
500	532	10	10135140	670	136	31	620	20 x 28	31
500	532	16	10135145	715	136	31	650	20 x 34	38
600	200	10	10135150	780	141	35	725	20 x 31	46
600	200	16	10135155	840	141	35	770	20 x 37	60



**Fucoli Somepal**  
FUNDAÇÃO DE FERRO, S.A.

Visit our website at [www.fucoli-somepal.pt](http://www.fucoli-somepal.pt)

Head office: Estrada de Coselhas, 3000-125 Coimbra – Portugal | Tel.: (+351) 239 490100 | Fax: (+351) 239 490198

Branch office: Rua de Aveiro 50, 3050-420 Pampilhosa – Portugal | Tel.: (+351) 239 490100 | Fax: (+351) 231 949292 | [comercial@fucoli-somepal.pt](mailto:comercial@fucoli-somepal.pt)



100% MADE IN EUROPE