

# SOFT SEALING GATE VALVE WITH PE PIPES SPIGOT ENDS 3000

## PE100 PN16 SDR11 pipe end

### DN 40 - 300 PN16

16.301



#### Product description

- Soft sealing gate valve with PE spigot ends series 3000 with gas sealed
- Service temperature from - 10°C to 40°C

#### Standards

- Designed according to EN 13774 & EN 1171
- PE 100 PN16 SDR11 pipe according to EN 12201-2

#### Tests

All valves are individually hydrostatically tested according to EN 13774 and EN 12266:

- Seal 1.1 x PN (in bar); Body: 1.5 x PN (in bar). Operation torque test

#### Corrosion protection

- Epoxy powder coating RAL 5005
- Applied internal and external with a minimum coating thickness of 250 µm
- Fusion bonded epoxy coating according DIN 3476-1, EN 14901 and GSK approved

#### Approvals

- KIWA Certificate PED 00044/H
- GSK Epoxy Coating Certificate GSK-ID:1247 (RAL-GZ 662)

#### Features

- Isolation valve with gas sealed and full bore
- Low operating torque
- The valves from DN 250 to DN 300 are equipped with an axial bearing to ensure reduced operating torque
- Stainless steel stem with rolled threads produced by cold rolling process, which keeps the steel structure and increase its mechanical resistance
- Stem sealing system with 4 O-rings in NBR
- O-ring stem sealing exchangeable under pressure
- Wedge fully vulcanized with NBR, gas approved
- Top of the wedge conceived with “soft stop” system, which acts as an end stop for the fully open valve
- Wedge with brass nut fixed in the wedge core preventing vibration and ensure a long life span
- Wedge and body designed with “monorail” system
- Round NBR bonnet gasket fixed in a recess, surrounding the bolts, ensuring a perfect seal
- Body/bonnet bolts in stainless steel A2 encased and sealed ensuring full corrosion protection
- PE100 PN16 SDR11 pipe end that allow a perfect butt fusion and electrofusion with the PE pipeline
- The PE pipe is pressed onto the grooved valve end body and blocked with a cast iron sleeve and sealed with plastic shrink hose
- Accessories: handwheel [ref.05.100], stem cap [ref. 05.200], extension spindle [ref. 05.300] and surface box [ref. 05.500].



RAI GUTZEICHEN  
SCHWEISZ KENNZEICHEN  
VON ARMATUREN UND FORMSTÜCKEN



**Fucoli Somepal**  
FUNDAÇÃO DE FERRO, S. A.

Visit our website at [www.fucoli-somepal.pt](http://www.fucoli-somepal.pt)

Head office: Estrada de Coselhas, 3000-125 Coimbra – Portugal | Tel.: (+351) 239 490100 | Fax: (+351) 239 490198

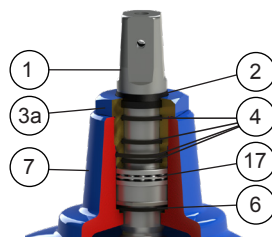
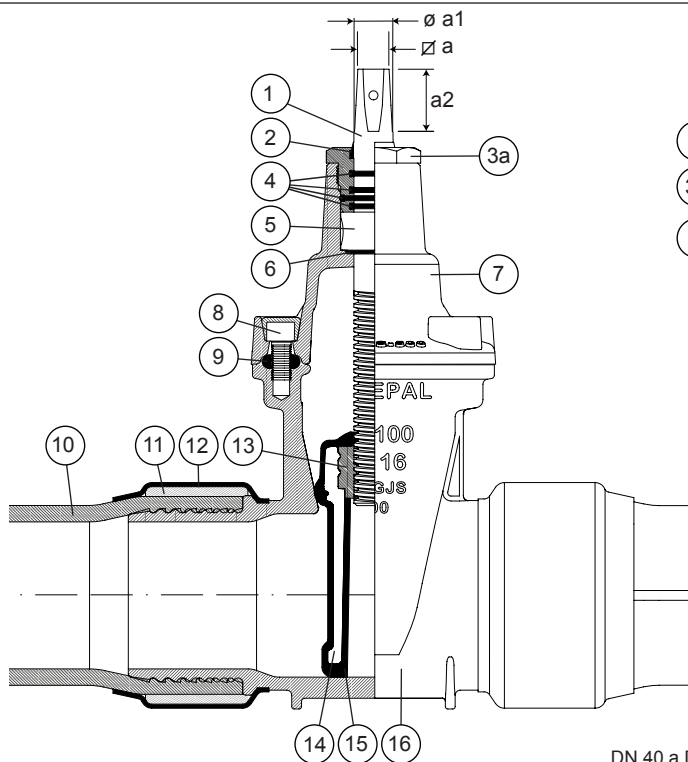
Branch office: Rua de Aveiro 50, 3050-420 Pampilhosa – Portugal | Tel.: (+351) 239 490100 | Fax: (+351) 231 949292 | [comercial@fucoli-somepal.pt](mailto:comercial@fucoli-somepal.pt)

# SOFT SEALING GATE VALVE WITH PE PIPES SPIGOT ENDS 3000

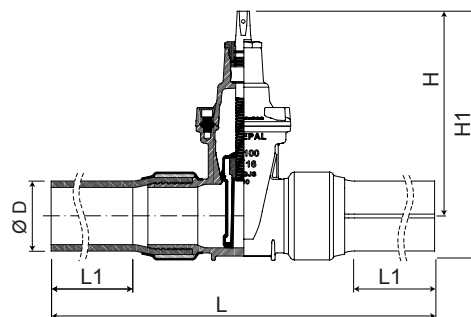
## PE100 PN16 SDR11 pipe end

### DN 40 - 300 PN16

16.301



DN 250 a DN 300



DN 40 a DN 200

#### Component list

pos.	components	material	standard
1	Stem	Stainless steel AISI 316L	EN 10088 - 1
2	Clearing joint	Elastomer	-
3a	Gland	Brass	EN 12164
4	O-rings	Elastomer NBR	EN 682
5	Stem washer	Brass	EN 12164
6	O-ring	Elastomer NBR	EN 682
7	Bonnet	Ductile iron EN-GJS-500-7	EN 1563
8	Bolts	Stainless steel A2	EN 10088 - 1
9	Bonnet gasket	Elastomer NBR	EN 549
10	Pipe	PE100 PN16 SDR11	EN 12201 - 2

pos.	components	material	standard
11	Sleeve	Ductile iron EN-GJS-500-7	EN 1563
12	Shrink hose	Plastic	-
13	Wedge nut	Brass	EN 12164
14	Wedge	Ductile iron EN-GJS-500-7	EN 1563
15	Wedge covering	Elastomer NBR	EN 549
16	Body	Ductile iron EN-GJS-500-7	EN 1563
17	Bearing	Steel	ISO 20516
18	Gland bush	POM	-

#### Reference and dimensions

DN	$\varnothing D$ ext. PE	code	L mm	L1 mm	H mm	H1 mm	$\varnothing a$ mm	$\varnothing a1$ mm	a2 mm	turns to open	Kg approx.
50	63	10753412	680	190	235	276	14.1	20	29	13	9
65	75	10753420	700	190	250	298	17.1	22	34	13	11
80	90	10753425	800	230	290	350	17.1	22	34	16	17
100	110	10753427	800	230	325	395	19.1	24	38	20	23
125	140	10753435	845	240	362	451	19.1	26	38	25	34
150	160	10753442	900	250	425	527	19.1	28	38	30	40
200	200	10753452	1050	285	505	628	24.1	32	42	34	69
250	250	10753465	1100	285	595	744	27.1	36	47	42	94
300	315	10753475	1300	330	670	850	27.1	36	47	50	198



**Fucoli Somepal**  
FUNDAÇÃO DE FERRO, S.A.

Visit our website at [www.fucoli-somepal.pt](http://www.fucoli-somepal.pt)

Head office: Estrada de Coselhas, 3000-125 Coimbra – Portugal | Tel.: (+351) 239 490100 | Fax: (+351) 239 490198

Branch office: Rua de Aveiro 50, 3050-420 Pampilhosa – Portugal | Tel.: (+351) 239 490100 | Fax: (+351) 231 949292 | [comercial@fucoli-somepal.pt](mailto:comercial@fucoli-somepal.pt)



100% MADE IN EUROPE