

DOUBLE FLANGED 90° BEND

Flanged fittings

DN 40 - 1000 PN10/16/25

10.1000



Product description

- Double flanged 90° bend for drinking water and neutral liquids

Standards

- Designed according to EN 545
- Flange drilling to EN 1092-2 PN10/16/25

Corrosion protection

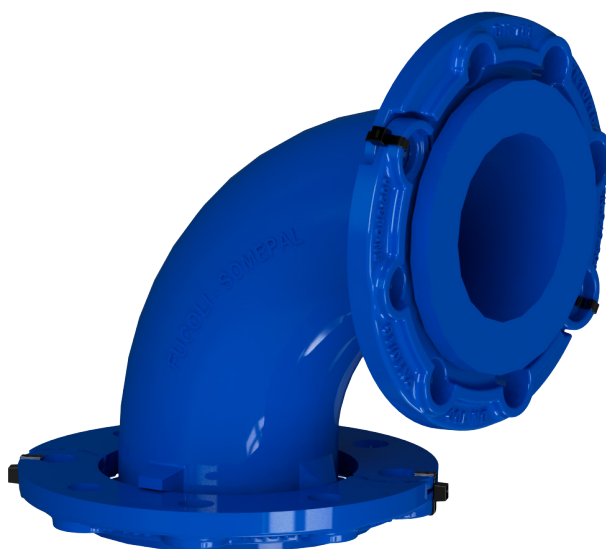
- Epoxy powder coating RAL 5005
- Applied internal and external with a minimum coating thickness of 250 µm
- Potable water approved epoxy coating fusion bonded according to EN 14901 and GSK (RAL-GZ662) guidelines

Approvals

- ACS Potability Certificate 22 ACC NY 023

Features

- Fitting approved for drinking water
- Body and flange in ductile cast iron EN-GJS-500-7
- Fast and easy to install
- Accessory with movable flanges up to DN 600 (inclusive) and fixed flanges from DN 700.



Fucoli Somepal
FUNDAÇÃO DE FERRO, S. A.

Visit our website at www.fucoli-somepal.pt

Head office: Estrada de Coselhas, 3000-125 Coimbra – Portugal | Tel.: (+351) 239 490100 | Fax: (+351) 239 490198

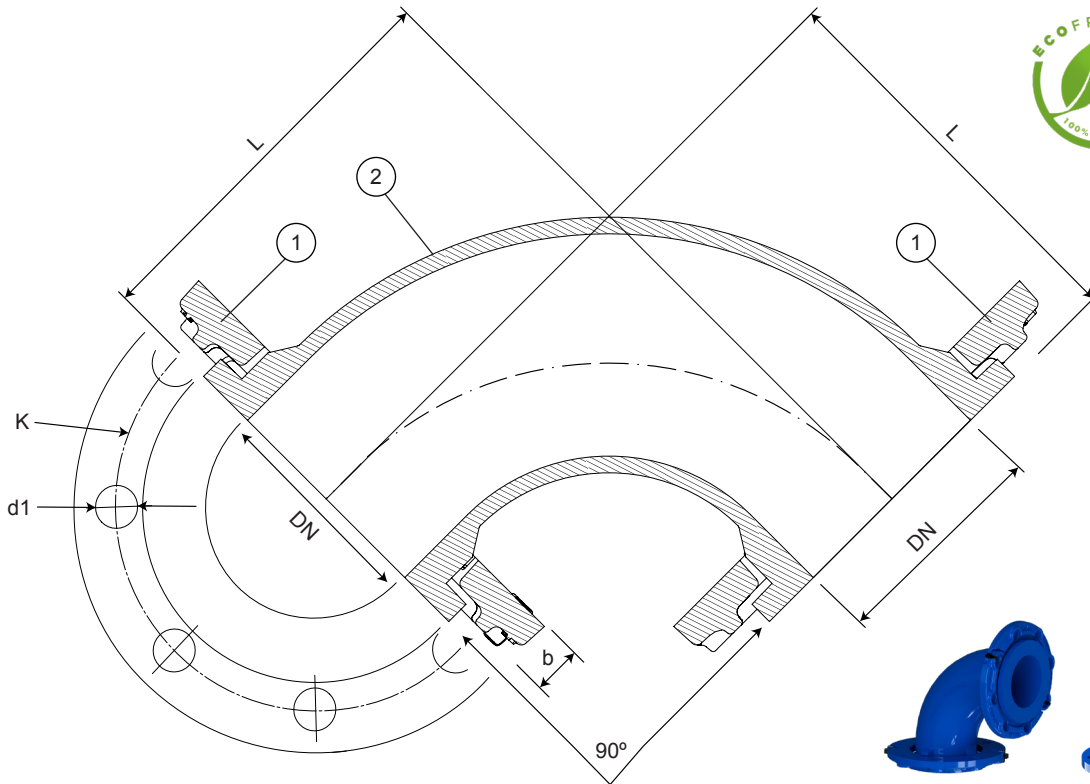
Branch office: Rua de Aveiro 50, 3050-420 Pampilhosa – Portugal | Tel.: (+351) 239 490100 | Fax: (+351) 231 949292 | comercial@fucoli-somepal.pt

DOUBLE FLANGED 90° BEND

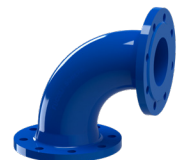
Flanged fittings

DN 40 - 1000 PN10/16/25

10.1000



DN 40 to DN 600



DN 700 to DN 1000

Component list

pos.	components	material	standard
1	Flange	Ductile iron EN-GJS-500-7	EN 1563
2	Body	Ductile iron EN-GJS-500-7	EN 1563

Reference and dimensions

DN	PN	code	L mm	K mm	n° x d1 mm	b mm	Flange movable / fixed	Kg approx.
40	10/16/25	10001019	140	110	4 x 19	21	movable	6
40	25	10006019	140	110	4 x 19	21	movable	6
50	10/16	10001020	150	125	4 x 19	21	movable	7
50	25	10006020	150	125	4 x 19	21	movable	7
60	10/16	10001030	165	135	4 x 19	21	movable	8
60	25	10001032	165	135	8 x 19	21	movable	8
65	10/16	10001040	165	145	4 x 19	21	movable	9
65	25	10006040	165	145	8 x 19	21	movable	9
80	10/16	10001050	165	160	8 x 19	21	movable	10
80	25	10006050	165	160	8 x 19	21	movable	10
100	10/16	10001060	180	180	8 x 19	21	movable	12
100	25	10001061	180	190	8 x 23	21	movable	13
125	10/16	10001070	200	210	8 x 19	21	movable	16
125	25	10006070	200	220	8 x 28	21	movable	17
150	10/16	10001075	220	240	8 x 23	21	movable	20
150	25	10006075	220	250	8 x 28	21	movable	22
200	10/16	10001085	260	295	8 - 12 x 23	22	movable	29
200	25	10006085	260	310	12 x 28	22	movable	30
250	10	10001090	350	350	12 x 23	26	movable	48
250	16	10001091	350	355	12 x 28	26	movable	48
250	25	10006090	350	370	12 x 31	26	movable	48

continued on next page

All the drawing, technical data, dimensions and weights are not binding. Subject to change. The components may be replaced by equivalent or higher materials without prior notice.

Ed.8 Rev.1 2/3

DOUBLE FLANGED 90° BEND

Flanged fittings

DN 40 - 1000 PN10/16/25

10.1000



continued from previous page

DN	PN	code	L mm	K mm	n° x d1 mm	b mm	Flange movable / fixed	Kg approx.
300	10	10001095	400	400	12 x 23	32	movable	72
300	16	10001096	400	410	12 x 28	32	movable	72
300	25	10006096	400	430	16 x 31	32	movable	76
350	10	10001098	450	460	16 x 23	36	movable	101
350	16	10001099	450	470	16 x 28	36	movable	101
350	25	10006099	450	490	16 x 34	36	movable	110
400	10	10001120	500	515	16 x 28	38	movable	126
400	16	10001121	500	525	16 x 31	38	movable	130
400	25	10006120	500	550	16 x 37	38	movable	143
450	10	10001130	550	565	20 x 28	38	movable	156
450	16	10001131	550	585	20 x 31	38	movable	165
450	25	10006130	550	600	20 x 37	38	movable	176
500	10	10001170	600	620	20 x 28	40	movable	193
500	16	10001171	600	650	20 x 34	40	movable	215
500	25	10006171	600	660	20 x 37	40	movable	227
600	10	10001180	700	725	20 x 31	46	movable	325
600	16	10001181	700	770	20 x 37	46	movable	345
600	25	10006181	700	770	20 x 41	46	movable	362
700	10	10112150	800	840	24 x 31	32.5	fixed	544
700	16	10112152	800	840	24 x 37	39.5	fixed	-
700	25	10112154	800	875	24 x 44	46.5	fixed	-
800	10	10112160	900	950	24 x 34	35	fixed	716
800	16	10112162	900	950	24 x 41	43	fixed	805
800	25	10112164	900	990	24 x 50	51	fixed	830
900	10	10112170	1000	1050	28 x 34	37.5	fixed	865
900	16	10112172	1000	1050	28 x 41	46.5	fixed	-
900	25	10112174	1000	1090	28 x 50	55.5	fixed	-
1000	10	10112180	1100	1160	28 x 37	40	fixed	1100
1000	16	10112182	1100	1170	28 x 44	50	fixed	-
1000	25	10112184	1100	1210	28 x 57	60	fixed	-



Fucoli Somepal
FUNDAÇÃO DE FERRO, S. A.

Visit our website at www.fucoli-somepal.pt

Head office: Estrada de Coselhas, 3000-125 Coimbra – Portugal | Tel.: (+351) 239 490100 | Fax: (+351) 239 490198

Branch office: Rua de Aveiro 50, 3050-420 Pampilhosa – Portugal | Tel.: (+351) 239 490100 | Fax: (+351) 231 949292 | comercial@fucoli-somepal.pt

