

DOUBLE SOCKET TEE FOR uPVC WITH FLANGED BRANCH

10.400

Fittings for uPVC pipes 63 - 400 PN10/16/25



Product description

- Double socket tee for uPVC pipes with flanged branch for drinking water and neutral liquids
- Service temperature from 0°C (excluding frost) to 70°C

Standards

- Designed according to EN 12842
- For uPVC pipes according EN ISO 1452-2
- Flange drilling to EN 1092-2 PN10/16/25

Corrosion protection

- Epoxy powder coating RAL 5005
- Applied internal and external with a minimum coating thickness of 250 µm
- Potable water approved epoxy coating fusion bonded according EN 14901 and GSK (RAL-GZ662) guidelines

Approvals

- ACS Potability Certificate 21 ACC NY 004

Features

- Fitting approved for drinking water for uPVC pipes connection
- Body in ductile cast iron (EN-GJS-500-7)
- Fast and easy to install
- Socket ends with drinking water approved EPDM double lip seal ring to ensure a perfect sealing
- Maximum working pressure 25 bar, the maximum working and test pressure must be in accordance with the pipe standard
- This fitting does not guarantee the pipe blocking, they must be anchored by other means
- On request possibility of sealing ring in NBR.



Fucoli Somepal
FUNDAÇÃO DE FERRO, S. A.

Visit our website at www.fucoli-somepal.pt

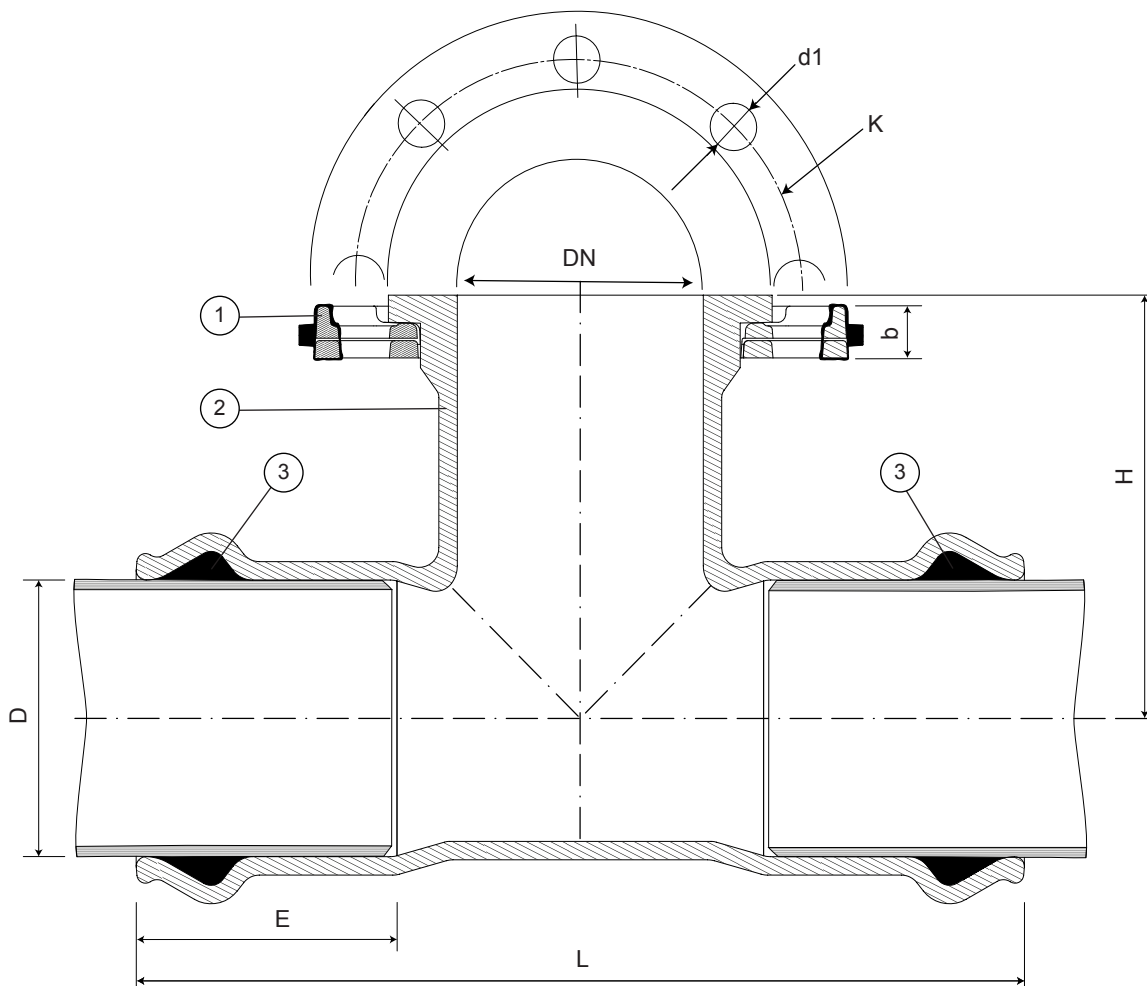
Head office: Estrada de Coselhas, 3000-125 Coimbra – Portugal | Tel.: (+351) 239 490100 | Fax: (+351) 239 490198

Branch office: Rua de Aveiro 50, 3050-420 Pampilhosa – Portugal | Tel.: (+351) 239 490100 | Fax: (+351) 231 949292 | comercial@fucoli-somepal.pt

DOUBLE SOCKET TEE FOR uPVC WITH FLANGED BRANCH

Fittings for uPVC pipes
63 - 400 PN10/16/25

10.400



Component list

pos.	components	material	norma
1	Flange	Ductile iron EN-GJS-500-7	EN 1563
2	Body	Ductile iron EN-GJS-500-7	EN 1563
3	Sealing ring	Elastomer EPDM	EN 681 - 1

Reference and dimensions

D x DN ext. PE/uPVC	PN	code	L mm	H mm	E mm	K mm	n° x d1 mm	b mm	Flange movable / fixed	Kg approx.
63 x 50	10/16	10021006	254	140	88	125	4 x 19	21	movable	6
63 x 50	25	10022006	254	140	88	125	4 x 19	21	movable	6
63 x 60	10/16	10021011	263	135	88	135	4 x 19	21	movable	7
63 x 60	25	10022011	263	135	88	135	8 x 19	21	movable	7
63 x 65	10/16	10021012	263	135	88	145	4 x 19	21	movable	7
63 x 65	25	10022013	263	135	88	145	8 x 19	21	movable	7
75 x 50	10/16	10021020	265	140	90	125	4 x 19	21	movable	6
75 x 50	25	10022020	265	140	90	125	4 x 19	21	movable	6
75 x 60	10/16	10021021	280	140	90	135	4 x 19	21	movable	7
75 x 60	25	10022021	280	140	90	135	8 x 19	21	movable	7
75 x 65	10/16	10021022	280	140	90	145	4 x 19	21	movable	8
75 x 65	25	10022022	280	140	90	145	8 x 19	21	movable	8
90 x 50	10/16	10021030	286	160	97	125	4 x 19	21	movable	8
90 x 50	25	10022024	286	160	97	125	4 x 19	21	movable	8
90 x 60	10/16	10021031	301	161	97	135	4 x 19	21	movable	8

continued on next page

DOUBLE SOCKET TEE FOR uPVC WITH FLANGED BRANCH

Fittings for uPVC pipes
63 - 400 PN10/16/25

10.400



continued from previous page

Reference and dimensions

D x DN ext. PE/uPVC	PN	code	L mm	H mm	E mm	K mm	n° x d1 mm	b mm	Flange movable / fixed	Kg approx.
90 x 60	25	10022026	301	161	97	135	8 x 19	21	movable	8
90 x 65	10/16	10021029	301	161	97	145	4 x 19	21	movable	9
90 x 65	25	10022028	301	161	97	145	8 x 19	21	movable	9
90 x 80	10/16	10021024	316	161	97	160	8 x 19	21	movable	9
90 x 80	25	10022029	316	161	97	160	8 x 19	21	movable	9
110 x 50	10/16	10021026	311	170	105	125	4 x 19	21	movable	10
110 x 50	25	10022030	311	170	105	125	4 x 19	21	movable	10
110 x 60	10/16	10021028	326	175	105	135	4 x 19	21	movable	10
110 x 60	25	10022031	326	175	105	135	8 x 19	21	movable	10
110 x 65	10/16	10021032	326	175	105	145	4 x 19	21	movable	11
110 x 65	25	10022032	326	175	105	145	8 x 19	21	movable	11
110 x 80	10/16	10021045	341	172	105	160	8 x 19	21	movable	12
110 x 80	25	10022034	341	172	105	160	8 x 19	21	movable	12
110 x 100	10/16	10021034	361	172	105	180	8 x 19	21	movable	12
110 x 100	25	10022036	361	172	105	190	8 x 23	21	movable	13
125 x 50	10/16	10021050	327	160	108	125	4 x 19	21	movable	10
125 x 50	25	10022043	327	160	108	125	4 x 19	21	movable	10
125 x 60	10/16	10021051	337	160	108	135	4 x 19	21	movable	11
125 x 60	25	10022045	337	160	108	135	8 x 19	21	movable	11
125 x 65	10/16	10021042	337	160	108	145	4 x 19	21	movable	12
125 x 65	25	10022050	337	160	108	145	8 x 19	21	movable	12
125 x 80	10/16	10021043	364	179	108	160	8 x 19	21	movable	13
125 x 80	25	10022051	364	179	108	160	8 x 19	21	movable	13
125 x 100	10/16	10021057	382	180	108	180	8 x 19	21	movable	14
125 x 100	25	10022057	382	180	108	190	8 x 23	21	movable	14
125 x 125	10/16	10021059	402	180	108	210	8 x 19	21	movable	15
125 x 125	25	10022059	402	180	108	220	8 x 28	21	movable	16
140 x 50	10/16	10021060	335	176	110	125	4 x 19	21	movable	12
140 x 50	25	10022060	335	176	110	125	4 x 19	21	movable	12
140 x 60	10/16	10021061	350	203	110	135	4 x 19	21	movable	14
140 x 60	25	10022061	350	203	110	135	8 x 19	21	movable	14
140 x 65	10/16	10021062	350	203	110	145	4 x 19	21	movable	14
140 x 65	25	10022062	350	203	110	145	8 x 19	21	movable	14
140 x 80	10/16	10021063	365	187	110	160	8 x 19	21	movable	15
140 x 80	25	10022063	365	187	110	160	8 x 19	21	movable	15
140 x 100	10/16	10021064	385	197	110	180	8 x 19	21	movable	15
140 x 100	25	10022064	385	197	110	190	8 x 23	21	movable	15
140 x 125	10/16	10021065	410	205	110	210	8 x 19	21	movable	18
140 x 125	25	10022065	410	205	110	220	8 x 28	21	movable	18
160 x 50	10/16	10021066	362	200	123	125	4 x 19	21	movable	15
160 x 50	25	10022066	362	200	123	125	4 x 19	21	movable	15
160 x 60	10/16	10021067	380	214	123	135	4 x 19	21	movable	15
160 x 60	25	10022067	380	214	123	135	8 x 19	21	movable	15
160 x 65	10/16	10021069	380	214	123	145	4 x 19	21	movable	15
160 x 65	25	10022069	380	214	123	145	8 x 19	21	movable	15
160 x 80	10/16	10021071	396	199	123	160	8 x 19	21	movable	17
160 x 80	25	10022071	396	199	123	160	8 x 19	21	movable	17
160 x 100	10/16	10021073	415	208	123	180	8 x 19	21	movable	18

continued on next page

DOUBLE SOCKET TEE FOR uPVC WITH FLANGED BRANCH

Fittings for uPVC pipes
63 - 400 PN10/16/25

10.400



continued from previous page

Reference and dimensions

D x DN ext. PE/uPVC	PN	code	L mm	H mm	E mm	K mm	n° x d1 mm	b mm	Flange movable / fixed	Kg approx.
160 x 100	25	10022073	415	208	123	190	8 x 23	21	movable	19
160 x 125	10/16	10021074	441	218	123	210	8 x 19	21	movable	21
160 x 125	25	10022074	441	218	123	220	8 x 28	21	movable	21
160 x 150	10/16	10021076	465	218	123	240	8 x 23	21	movable	23
160 x 150	25	10022076	465	218	123	250	8 x 28	21	movable	23
180 x 80	10/16	10021078	508	225	128	160	8 x 19	21	movable	23
180 x 80	25	10022079	508	225	128	160	8 x 19	21	movable	23
180 x 150	10/16	10021080	508	240	128	240	8 x 23	21	movable	27
180 x 150	25	10022081	508	240	128	250	8 x 28	21	movable	27
200 x 50	10/16	10021082	403	210	132	125	4 x 19	21	movable	18
200 x 50	25	10022082	403	210	132	125	4 x 19	21	movable	18
200 x 60	10/16	10021086	418	214	132	135	4 x 19	21	movable	19
200 x 60	25	10022084	418	214	132	135	8 x 19	21	movable	19
200 x 65	10/16	10021084	418	214	132	145	4 x 19	21	movable	19
200 x 65	25	10022086	418	214	132	145	8 x 19	21	movable	19
200 x 80	10/16	10021087	435	223	132	160	8 x 19	21	movable	22
200 x 80	25	10022087	435	223	132	160	8 x 19	21	movable	22
200 x 100	10/16	10021088	457	240	132	180	8 x 19	21	movable	24
200 x 100	25	10022088	457	240	132	190	8 x 23	21	movable	24
200 x 125	10/16	10021090	480	233	132	210	8 x 19	21	movable	26
200 x 125	25	10022090	480	233	132	220	8 x 28	21	movable	26
200 x 150	10/16	10021096	550	273	132	240	8 x 23	21	movable	32
200 x 150	25	10022096	550	273	132	250	8 x 28	21	movable	32
200 x 200	10/16	10021097	552	280	132	295	8 - 12 x 23	22	movable	35
200 x 200	25	10022097	552	280	132	310	12 x 28	22	movable	36
225 x 60	10/16	10021093	430	225	135	135	4 x 19	21	movable	23
225 x 60	25	-	430	225	135	135	8 x 19	21	movable	23
225 x 65	10/16	10021092	430	225	135	145	4 x 19	21	movable	23
225 x 65	25	-	430	225	135	145	8 x 19	21	movable	23
225 x 80	10/16	10021098	450	250	135	160	8 x 19	21	movable	25
225 x 80	25	-	450	250	135	160	8 x 19	21	movable	25
225 x 100	10/16	10021094	450	250	135	180	8 x 19	21	movable	28
225 x 100	25	-	450	250	135	190	8 x 23	21	movable	28
225 x 150	10/16	10021095	500	250	135	240	8 x 23	21	movable	32
225 x 150	25	-	500	250	135	250	8 x 28	21	movable	33
225 x 200	10/16	10021099	550	260	135	295	8 - 12 x 23	22	movable	36
225 x 200	25	-	550	260	135	310	12 x 28	22	movable	37
250 x 50	10/16	10021100	457	240	145	125	4 x 19	21	movable	28
250 x 50	25	10022100	457	240	145	125	4 x 19	21	movable	28
250 x 60	10/16	10021101	472	245	145	135	4 x 19	21	movable	29
250 x 60	25	10022101	472	245	145	135	8 x 19	21	movable	29
250 x 65	10/16	10021102	472	245	145	145	4 x 19	21	movable	29
250 x 65	25	10022102	472	245	145	145	8 x 19	21	movable	29
250 x 80	10/16	10021103	487	250	145	160	8 x 19	21	movable	30
250 x 80	25	10022103	487	250	145	160	8 x 19	21	movable	30
250 x 100	10/16	10021104	507	255	145	180	8 x 19	21	movable	31
250 x 100	25	10022104	507	255	145	190	8 x 23	21	movable	31
250 x 125	10/16	10021105	532	260	145	210	8 x 19	21	movable	35

continued on next page

DOUBLE SOCKET TEE FOR uPVC WITH FLANGED BRANCH

Fittings for uPVC pipes
63 - 400 PN10/16/25

10.400



continued from previous page

Reference and dimensions

D x DN ext. PE/uPVC	PN	code	L mm	H mm	E mm	K mm	n° x d1 mm	b mm	Flange movable / fixed	Kg approx.
250 x 125	25	10022105	532	260	145	220	8 x 28	21	movable	36
250 x 150	10/16	10021106	557	265	145	240	8 x 23	21	movable	40
250 x 150	25	10022106	557	265	145	250	8 x 28	21	movable	41
250 x 200	10/16	10021108	607	275	145	295	8 - 12 x 23	22	movable	44
250 x 200	25	10022108	607	275	145	310	12 x 28	22	movable	45
250 x 250	10	10021110	657	285	145	350	12 x 23	26	movable	52
250 x 250	16	10021111	657	285	145	355	12 x 28	26	movable	52
250 x 250	25	10022110	657	285	145	370	12 x 31	26	movable	53
280 x 60	10/16	10021112	-	-	-	135	4 x 19	21	movable	33
280 x 60	25	-	-	-	-	135	8 x 19	21	movable	33
280 x 80	10/16	10021113	500	285	150	160	8 x 19	21	movable	34
280 x 80	25	-	500	285	150	160	8 x 19	21	movable	34
315 x 50	10/16	10021116	512	285	160	125	4 x 19	21	movable	42
315 x 50	25	10022116	512	285	160	125	4 x 19	21	movable	42
315 x 60	10/16	10021118	527	295	160	135	4 x 19	21	movable	44
315 x 60	25	10022118	527	295	160	135	8 x 19	21	movable	44
315 x 65	10/16	10021120	527	295	160	145	4 x 19	21	movable	44
315 x 65	25	10022120	527	295	160	145	8 x 19	21	movable	44
315 x 80	10/16	10021122	542	305	160	160	8 x 19	21	movable	45
315 x 80	25	10022122	542	305	160	160	8 x 19	21	movable	45
315 x 100	10/16	10021124	562	309	160	180	8 x 19	21	movable	44
315 x 100	25	10022124	562	309	160	190	8 x 23	21	movable	44
315 x 125	10/16	10021126	587	309	160	210	8 x 19	21	movable	52
315 x 125	25	10022126	587	309	160	220	8 x 28	21	movable	53
315 x 150	10/16	10021128	612	309	160	240	8 x 23	21	movable	56
315 x 150	25	10022128	612	309	160	250	8 x 28	21	movable	57
315 x 200	10/16	10021130	662	292	160	295	8 - 12 x 23	22	movable	64
315 x 200	25	10022130	662	292	160	310	12 x 28	22	movable	65
315 x 250	10	10021132	712	305	160	350	12 x 23	26	movable	70
315 x 250	16	10021133	712	305	160	355	12 x 28	26	movable	70
315 x 250	25	10022132	712	305	160	370	12 x 31	26	movable	71
315 x 300	10	10021134	762	309	160	400	12 x 23	32	movable	70
315 x 300	16	10021135	762	309	160	410	12 x 28	32	movable	70
315 x 300	25	10022134	762	309	160	430	16 x 31	32	movable	73
400 x 50	10/16	10021146	753	320	173	125	4 x 19	21	movable	75
400 x 50	25	10022157	753	320	173	125	4 x 19	21	movable	75
400 x 60	10/16	10021147	753	330	173	135	4 x 19	21	movable	81
400 x 60	25	10022158	753	330	173	135	8 x 19	21	movable	81
400 x 65	10/16	10021148	753	330	173	145	4 x 19	21	movable	81
400 x 65	25	10022159	753	330	173	145	8 x 19	21	movable	81
400 x 80	10/16	10021149	753	341	173	160	8 x 19	21	movable	84
400 x 80	25	10022160	753	341	173	160	8 x 19	21	movable	84
400 x 100	10/16	10021150	753	356	173	180	8 x 19	21	movable	84
400 x 100	25	10022161	753	356	173	190	8 x 23	21	movable	84
400 x 125	10/16	10021151	753	360	173	210	8 x 19	21	movable	84
400 x 125	25	10022162	753	360	173	220	8 x 28	21	movable	84
400 x 150	10/16	10021152	753	360	173	240	8 x 23	21	movable	87
400 x 150	25	10022163	753	360	173	250	8 x 28	21	movable	88

continued on next page

DOUBLE SOCKET TEE FOR uPVC WITH FLANGED BRANCH

Fittings for uPVC pipes
63 - 400 PN10/16/25

10.400



continued from previous page

Reference and dimensions

D x DN ext. PE/uPVC	PN	code	L mm	H mm	E mm	K mm	n° x d1 mm	b mm	Flange movable / fixed	Kg approx.
400 x 200	10/16	10021153	753	365	173	295	8 - 12 x 23	22	movable	91
400 x 200	25	10022164	753	365	173	310	12 x 28	22	movable	92
400 x 250	10	10021154	803	375	173	350	12 x 23	26	movable	110
400 x 250	16	10021155	803	375	173	355	12 x 28	26	movable	110
400 x 250	25	10022165	803	375	173	370	12 x 31	26	movable	112
400 x 300	10	10021156	853	385	173	400	12 x 23	32	movable	118
400 x 300	16	10021157	853	385	173	410	12 x 28	32	movable	118
400 x 300	25	10022166	853	385	173	430	16 x 31	32	movable	120
400 x 400	10	10021160	953	394	173	515	16 x 28	38	movable	129
400 x 400	16	10021161	953	394	173	525	16 x 31	38	movable	132
400 x 400	25	10022168	953	394	173	550	16 x 37	38	movable	138



Fucoli Somepal
FUNDAÇÃO DE FERRO, S.A.

Visit our website at www.fucoli-somepal.pt

Head office: Estrada de Coselhas, 3000-125 Coimbra – Portugal | Tel.: (+351) 239 490100 | Fax: (+351) 239 490198

Branch office: Rua de Aveiro 50, 3050-420 Pampilhosa – Portugal | Tel.: (+351) 239 490100 | Fax: (+351) 231 949292 | comercial@fucoli-somepal.pt

