

RECESSED SQUARE MANHOLE COVER

SERIES FUCOLI

B125 and C250

12.505



Product description

- Recessed square manhole cover series FUCOLI
- Water based black painting

Installation location

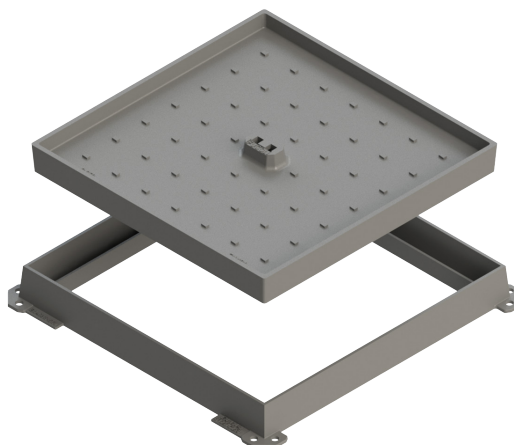
- Class B125 - Footways, pedestrian areas and comparable areas, car parks or car parking decks
- Class C250 - For gully tops, installed in the area of kerbside channels of roads which when measured from the kerb edge, extends a maximum of 0,5 m into the carriageway and a maximum of 0,2 m into the pedestrian area

Standards

- Designed according to EN 124-1/2

Features

- Ductile cast iron cover and frame (EN-GJS-500-7) with water based black painting
- With hydraulic sealing to prevent the odours
- Allow a block paving infill, in this way dissimulate the manhole cover presence fitting it with the involving space
- Model used in historical and pedestrian areas.



Fucoli Somepal
FUNDAÇÃO DE FERRO, S. A.

Visit our website at www.fucoli-somepal.pt

Head office: Estrada de Coselhas, 3000-125 Coimbra – Portugal | Tel.: (+351) 239 490100 | Fax: (+351) 239 490198

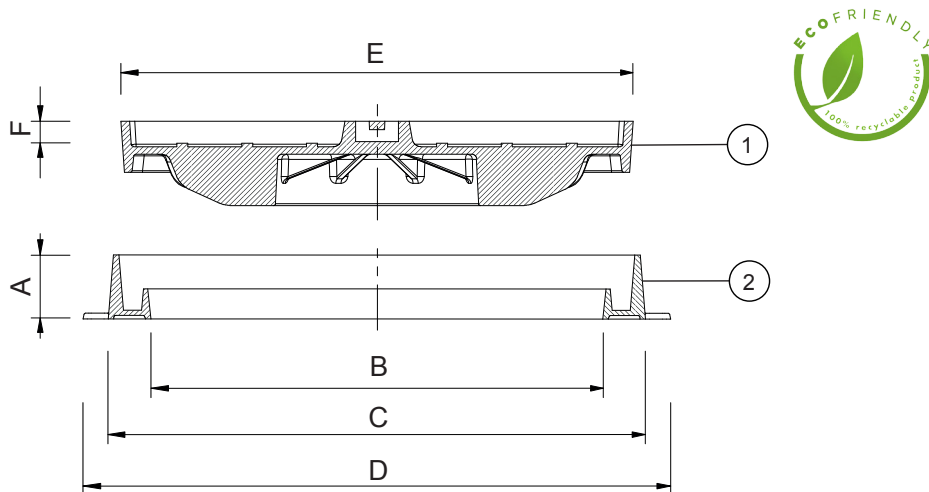
Branch office: Rua de Aveiro 50, 3050-420 Pampilhosa – Portugal | Tel.: (+351) 239 490100 | Fax: (+351) 231 949292 | comercial@fucoli-somepal.pt

RECESSED SQUARE MANHOLE COVER

SERIES FUCOLI

B125 and C250

12.505



Component list

pos.	components	material	standard
1	Cover	Ductile iron EN-GJS-500-7	EN 1563
2	Frame	Ductile iron EN-GJS-500-7	EN 1563

Reference and dimensions

Model - DN - Class	code	Frame				Cover		hydraulic sealing Y / N	Weight	
		height mm A	clear opening mm B	Ø external mm C	Ø ext. with stone-bolt mm D	Ø external mm E	recessed height mm F		Cover kg approx.	Total kg approx.
Fucoli 330 - B125	24C3BH2FNDAZZZZ00AA	56	253	328	355	308	35	S	7	14
Fucoli 400 - B125	24C2BO2FNEAZZZZ00AA	60	330	420	450	396	27	S	11	21
Fucoli 400 - C250	24C2BO3FNEAZZZZ00AA	60	330	420	450	396	27	S	17	28
Viana 500 - C250	24C4BY3FNGAZZZZ00AA	80	402	510	540	484	50	S	23	47
Fucoli 600 - B125	24C3CI2FNFAZZZZ00AA	75	530	630	689	600	30	S	28	49
Fucoli 600 - C250	24C3CI3FNFAZZZZ00AA	75	530	630	689	600	30	S	40	59
Fucoli 800 - B125	24C3DC2FNFAZZZZ00AA	75	745	832	852	800	35	S	53	88



Fucoli Somepal
FUNDIÇÃO DE FERRO, S.A.

Visit our website at www.fucoli-somepal.pt

Head office: Estrada de Coselhas, 3000-125 Coimbra – Portugal | Tel.: (+351) 239 490100 | Fax: (+351) 239 490198

Branch office: Rua de Aveiro 50, 3050-420 Pampilhosa – Portugal | Tel.: (+351) 239 490100 | Fax: (+351) 231 949292 | comercial@fucoli-somepal.pt



100% MADE IN EUROPE