

# SWING CHECK VALVE SUPRA

## metal seated with lever and counterweight

### DN 50 - 600 PN25/40

03.108



#### Product description

- Swing check valve metal seated with lever and counterweight series SUPRA for drinking water and neutral liquids
- Service temperature from 0°C (excluding frost) to 70°C

#### Standards

- Designed according to EN 1074 part 3
- Flange drilling to EN 1092-2 PN25/40
- Face-to-face according to EN 558 table 2 series 48

#### Tests

All valves are individually hydrostatically tested according to EN 1074-3:

- Seal 1.1 x PN (in bar); Body: 1.5 x PN (in bar).

#### Corrosion protection

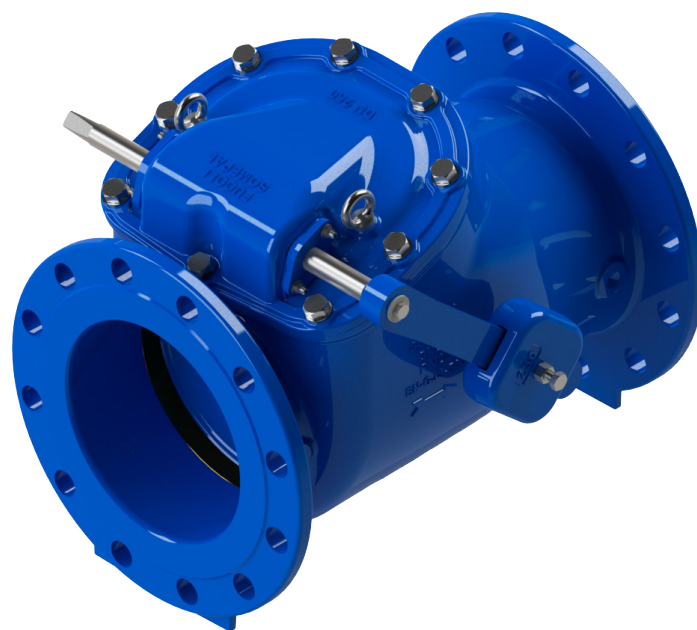
- Epoxy powder coating RAL 5005
- Applied internal and external with a minimum coating thickness of 250 µm
- Potable water approved epoxy coating, fusion bonded according to DIN 3476-1, EN 14901 and GSK approved

#### Approvals

- GSK Epoxy Coating Certificate GSK-ID:1247 (RAL-GZ 662)

#### Features

- Valve with automatic mechanical closing for installation in pumping systems preventing the return of the flow
- Compact design requires little space for assembly
- The valve should be installed on the horizontal or vertical position, the flow must coincide with the arrow direction engraved on the valve body
- Possibility of installing the lever to the left or right of the valve, making it easy to apply to walls or other obstacles
- Full complete passage without obstacles, avoiding head loss
- Effect of cavitation almost null, due to geometric configuration of the valve
- Easy to maintain, if necessary, components may be replaceable. Disassembly can be accomplished without withdrawing the valve from the pipeline by loosening the screws of the bonnet can remove entire sealing system
- Reliability and stability of the sealing system, designed with double arm support on the shaft and obturator design that allows to fit to the valve body seal
- Valve body supplied as standard with bronze seat
- Obturator in stainless steel AISI 420
- Round EPDM bonnet gasket fixed in a recess, surrounding the bolts, ensuring a perfect seal
- On request possibility to be supplied with obturator in stainless steel AISI 316L, by-pass and plug application to check and clean.



RAL GUTZEICHEN  
SCHWEISS KENNZEICHEN  
VON ARMATUREN UND FORMSTÜCKEN



**Fucoli Somepal**  
FUNDAÇÃO DE FERRO, S. A.

Visit our website at [www.fucoli-somepal.pt](http://www.fucoli-somepal.pt)

Head office: Estrada de Coselhas, 3000-125 Coimbra – Portugal | Tel.: (+351) 239 490100 | Fax: (+351) 239 490198

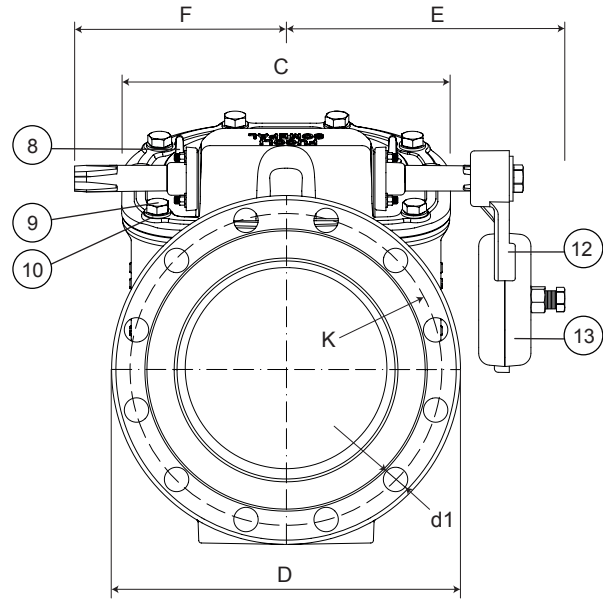
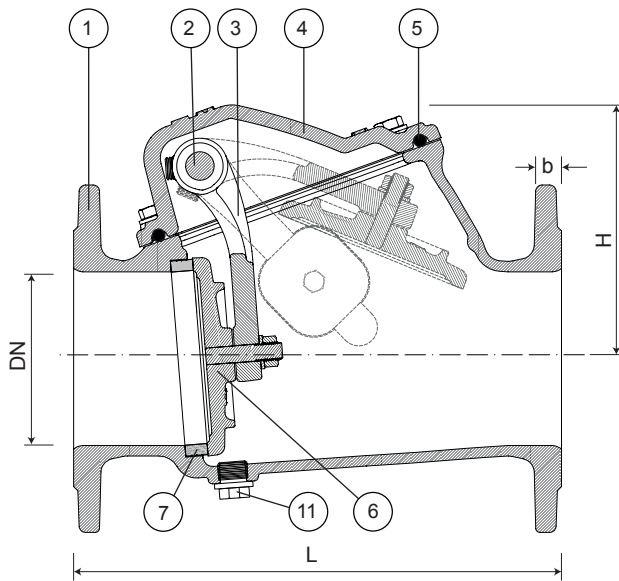
Branch office: Rua de Aveiro 50, 3050-420 Pampilhosa – Portugal | Tel.: (+351) 239 490100 | Fax: (+351) 231 949292 | [comercial@fucoli-somepal.pt](mailto:comercial@fucoli-somepal.pt)

Ed.8 Rev. 1  
08-2022

Being one of the main objectives of our company the development and satisfaction of our customers, we reserve the right to update, change or replace the specifications presented without prior notice.

**SWING CHECK VALVE SUPRA**  
**metal seated with lever and counterweight**  
**DN 50 - 600 PN25/40**

03.108



**Component list**

pos.	components	material	standard
1	Body	Ductile iron EN-GJS-500-7	EN 1563
2	Shaft	Stainless steel AISI 316L	EN 10088 - 1
3	Arm	Ductile iron EN-GJS-500-7	EN 1563
4	Bonnet	Ductile iron EN-GJS-500-7	EN 1563
5	Bonnet gasket	Elastomer EPDM	EN 681 - 1
6	Obturator	Stainless Steel AISI 420	EN 10088 - 1
7	Seat	Bronze CuSn <sub>7</sub> Zn <sub>4</sub> Pb <sub>7</sub>	EN 1982

pos.	components	material	standard
8	Lifting eyes (from DN 200)	Stainless steel A2	EN 10088 - 1
9	Bolts	Stainless steel A2	EN 10088 - 1
10	Washers	Stainless steel A2	EN 10088 - 1
11	Plug (option)	Stainless steel A4	EN 10088 - 1
12	Lever	Ductile iron EN-GJS-500-7	EN 1563
13	Counterweight	Ductile iron EN-GJS-500-7	EN 1563

**Reference and dimensions**

DN	PN	code	D mm	L mm	H mm	C mm	E mm	F mm	K mm	n° x d1 mm	b mm	Kg approx.
50	25	10792310	165	200	108	110	138	104	125	4 x 19	19	11
50	40	10792510	165	200	108	110	138	104	125	4 x 19	19	11
60	25	10792320	175	240	119	123	148	115	135	8 x 19	19	16
60	40	10792520	175	240	119	123	148	115	135	8 x 19	19	16
65	25	10792330	185	240	119	123	148	115	145	8 x 19	19	17
65	40	10792530	185	240	119	123	148	115	145	8 x 19	19	17
80	25	10792340	200	260	137	140	166	122	160	8 x 19	19	18
80	40	10792540	200	260	137	140	166	122	160	8 x 19	19	18
100	25	10792350	235	300	157	168	175	135	190	8 x 23	19	26
100	40	10792550	235	300	157	168	175	135	190	8 x 23	19	26
125	25	10792360	270	350	186	215	205	155	220	8 x 28	19	38
125	40	10792560	270	350	186	215	205	155	220	8 x 28	23.5	39
150	25	10792370	300	400	210	242	220	170	250	8 x 28	20	54
150	40	10792570	300	400	210	242	220	170	250	8 x 28	26	57
200	25	10792380	360	500	242	295	250	200	310	12 x 28	22	79
200	40	10792580	375	500	242	295	250	200	320	12 x 31	30	91
250	25	10792390	425	600	296	377	287	232	370	12 x 31	24.5	119
250	40	10792590	450	600	296	377	287	232	385	12 x 34	34	128
300	25	10792400	485	700	325	427	310	260	430	16 x 31	27.5	169
300	40	10792600	515	700	325	427	310	260	450	16 x 34	39.5	187
350	25	10792410	555	800	400	480	340	280	490	16 x 34	30	171
350	40	10792610	580	800	400	480	340	280	510	16 x 37	44	201
400	25	10792420	620	900	435	531	387	330	550	16 x 37	32	300
400	40	10792620	660	900	435	531	387	330	585	16 x 41	48	349

continued on next page

**SWING CHECK VALVE SUPRA**  
**metal seated with lever and counterweight**  
**DN 50 - 600 PN25/40**

03.108



continued from previous page

DN	PN	code	D mm	L mm	H mm	C mm	E mm	F mm	K mm	n° x d1 mm	b mm	Kg approx.
450	25	10792430	670	1000	460	585	394	337	600	20 x 37	34.5	420
450	40	10792630	685	1000	460	585	394	337	610	20 x 41	49	454
500	25	10792440	730	1100	485	640	422	365	660	20 x 37	36.5	450
500	40	10792640	755	1100	485	640	422	365	670	20 x 44	52	497
600	25	10792450	845	1300	585	750	477	420	770	20 x 41	42	724
600	40	10792650	890	1300	585	750	477	420	795	20 x 50	58	805



**Fucoli Somepal**  
 FUNDIÇÃO DE FERRO, S.A.

Visit our website at [www.fucoli-somepal.pt](http://www.fucoli-somepal.pt)

**Head office:** Estrada de Coselhas, 3000-125 Coimbra – Portugal | Tel.: (+351) 239 490100 | Fax: (+351) 239 490198

**Branch office:** Rua de Aveiro 50, 3050-420 Pampilhosa – Portugal | Tel.: (+351) 239 490100 | Fax: (+351) 231 949292 | [comercial@fucoli-somepal.pt](mailto:comercial@fucoli-somepal.pt)

