

SADDLE WITH SHUT-OFF BLADE ADAPTOR

for uPVC/PE pipes

DN 63 - DN 400 PN10

08.110



Product description

- Saddle with shut-off blade adaptor for uPVC/PE pipes for drinking water, neutral liquids and wastewater treatment
- Service temperature from 0°C (excluding frost) to 70°C

Standards

- Designed according to EN 12842
- For uPVC pipes according to ISO 1452-2
- For PE pipes according to EN 12201 and DIN 8074
- Internal parallel BSP thread (Type G) according to ISO 228-1 and ISO 1179-1

Corrosion protection

- Epoxy powder coating RAL 5005
- Applied internal and external with a minimum coating thickness of 250 µm
- Potable water approved epoxy coating fusion bonded according EN 14901 and GSK (RAL-GZ662) guidelines

Features

- Tapping saddle designed to allow the execution of branches in uPVC/PE with the pipes under pressure easily and without the need for maintenance
- Tapping saddle internal parallel 2" BSP thread gas type, designed with an adequate depth so that the installation of the branch is possible to carry out in a reliable, lasting way and without water loss
- Tapping saddle with robust design and long body that ensures its perfect fixation to the pipe and prevents it from shifting or turning after installation
- Shut-off blade adaptor with threaded outlet and with shut-off blade closing, for a tapping and drilling operation
- Glass reinforced POM cassette sealed with drinking water approved EPDM gasket for permanent seal once tapping is complete
- Internal surface of the tapping saddle fully coated with drinking water approved EPDM, surrounding the entire outside diameter of the pipe
- Gasket sealing system with 5 integrated O-rings in the area of the clamp branch which ensure a perfect sealing
- Bolts in stainless steel A2
- Accessories: shut-off in stainless steel with cast iron handle [code 10480466]
- On request possibility of bolts and washers in stainless steel A4, NBR sealing or other elastomer.



Fucoli Somepal
FUNDAÇÃO DE FERRO, S. A.

Visit our website at www.fucoli-somepal.pt

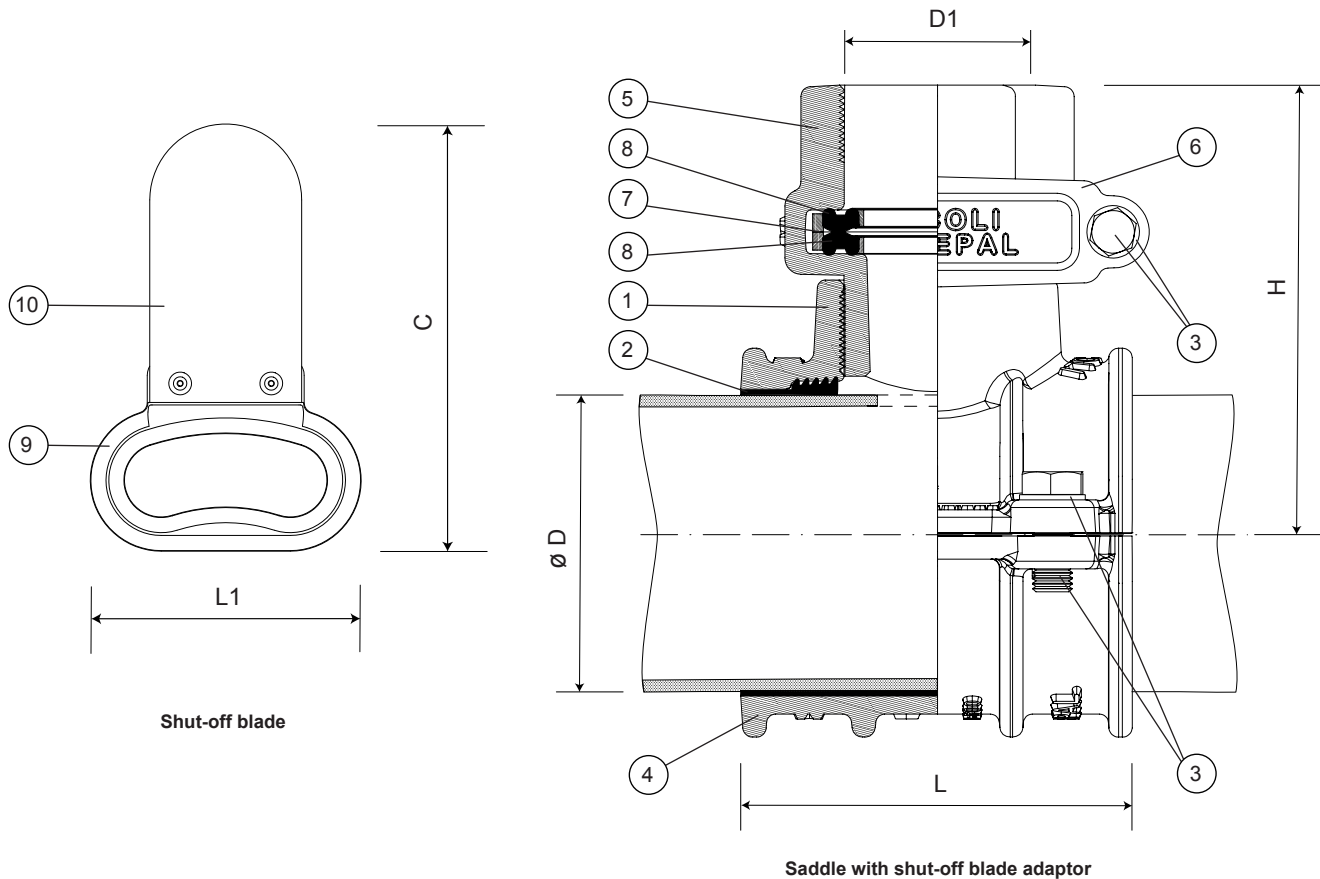
Head office: Estrada de Coselhas, 3000-125 Coimbra – Portugal | Tel.: (+351) 239 490100 | Fax: (+351) 239 490198

Branch office: Rua de Aveiro 50, 3050-420 Pampilhosa – Portugal | Tel.: (+351) 239 490100 | Fax: (+351) 231 949292 | comercial@fucoli-somepal.pt

SADDLE WITH SHUT-OFF BLADE ADAPTOR

for uPVC/PE pipes
DN 63 - DN 400 PN10

08.110



Component list

pos.	components	material	standard
1	Body superior	Ductile iron EN-GJS-500-7	EN 1563
2	Sealings	Elastomer EPDM	EN 681 - 1
3	Bolts and Washers	Stainless steel A2	EN 10088 - 1
4	Body inferior	Ductile iron EN-GJS-500-7	EN 1563
5	Adaptator body	Ductile iron EN-GJS-500-7	EN 1563
6	Adaptator cover	Ductile iron EN-GJS-500-7	EN 1563
7	Cassette	POM	-
8	Sealings	Elastomer EPDM	EN 681 - 1
9	Grip	Ductile iron EN-GJS-500-7	EN 1563
10	Blade	Stainless steel AISI 301	EN 10088 - 1

Reference and dimensions

Shut-off blade			
code	L1	C	Kg
	mm	mm	approx.
10480466	106.56	168.74	0.3

Saddle						
ext. PE/PVC	Ø D	D1	code	L	H	Kg
		(BSP)		mm	mm	approx.
	63	G ½"	10480607	100	126	4
	63	G ¾"	10480608	100	126	4
	63	G 1"	10480609	100	126	4
	63	G 1 ¼"	10480610	100	126	4
	63	G 1 ½"	10480611	100	126	4
	63	G 2"	10480612	100	126	4
	75	G ½"	10480614	120	133	5
	75	G ¾"	10480615	120	133	5
	75	G 1"	10480616	120	133	5
	75	G 1 ¼"	10480617	120	133	5
	75	G 1 ½"	10480618	120	133	5
	75	G 2"	10480619	120	133	5

continued on next page

SADDLE WITH SHUT-OFF BLADE ADAPTOR

for uPVC/PE pipes
DN 63 - DN 400 PN10

08.110



continued from previous page

ø D ext. PE/PVC	D1 (BSP)	code	L mm	H mm	Kg approx.
90	G 1/2"	10480621	120	141	5
90	G 3/4"	10480622	120	141	5
90	G 1"	10480623	120	141	5
90	G 1 1/4"	10480624	120	141	5
90	G 1 1/2"	10480625	120	141	5
90	G 2"	10480626	120	141	5
110	G 1/2"	10480628	140	152	6
110	G 3/4"	10480629	140	152	6
110	G 1"	10480630	140	152	6
110	G 1 1/4"	10480631	140	152	6
110	G 1 1/2"	10480632	140	152	6
110	G 2"	10480633	140	152	6
125	G 1/2"	10480635	160	158	8
125	G 3/4"	10480636	160	158	8
125	G 1"	10480637	160	158	8
125	G 1 1/4"	10480638	160	158	8
125	G 1 1/2"	10480639	160	158	8
125	G 2"	10480640	160	158	8
140	G 1/2"	10480642	160	165	8
140	G 3/4"	10480643	160	165	8
140	G 1"	10480644	160	165	8
140	G 1 1/4"	10480645	160	165	8
140	G 1 1/2"	10480646	160	165	8
140	G 2"	10480647	160	165	8
160	G 1/2"	10480649	170	177	9
160	G 3/4"	10480650	170	177	9
160	G 1"	10480651	170	177	9
160	G 1 1/4"	10480652	170	177	9
160	G 1 1/2"	10480653	170	177	9
160	G 2"	10480654	170	177	9
180	G 1/2"	10480700	170	187	10
180	G 3/4"	10480701	170	187	10
180	G 1"	10480702	170	187	10
180	G 1 1/4"	10480703	170	187	10
180	G 1 1/2"	10480704	170	187	10
180	G 2"	10480705	170	187	10

ø D ext. PE/PVC	D1 (BSP)	code	L mm	H mm	Kg approx.
200	G 1/2"	10480656	200	197	12
200	G 3/4"	10480657	200	197	12
200	G 1"	10480658	200	197	11
200	G 1 1/4"	10480659	200	197	11
200	G 1 1/2"	10480660	200	197	11
200	G 2"	10480661	200	197	12
225	G 1/2"	10480663	200	210	15
225	G 3/4"	10480664	200	210	15
225	G 1"	10480665	200	210	15
225	G 1 1/4"	10480666	200	210	15
225	G 1 1/2"	10480667	200	210	15
225	G 2"	10480668	200	210	15
250	G 1/2"	10480670	200	222	16
250	G 3/4"	10480671	200	222	16
250	G 1"	10480672	200	222	17
250	G 1 1/4"	10480673	200	222	16
250	G 1 1/2"	10480674	200	222	16
250	G 2"	10480675	200	222	16
280	G 1/2"	10480677	200	237	19
280	G 3/4"	10480678	200	237	19
280	G 1"	10480679	200	237	19
280	G 1 1/4"	10480680	200	237	18
280	G 1 1/2"	10480681	200	237	18
280	G 2"	10480682	200	237	17
315	G 1/2"	10480684	200	255	19
315	G 3/4"	10480685	200	255	19
315	G 1"	10480686	200	255	20
315	G 1 1/4"	10480687	200	255	19
315	G 1 1/2"	10480688	200	255	19
315	G 2"	10480689	200	255	19
400	G 1/2"	10480691	200	303	25
400	G 3/4"	10480692	200	303	25
400	G 1"	10480693	200	303	24
400	G 1 1/4"	10480694	200	303	24
400	G 1 1/2"	10480695	200	303	24
400	G 2"	10480696	200	303	23



Fucoli Somepal
FUNDAÇÃO DE FERRO, S. A.

Visit our website at www.fucoli-somepal.pt

Head office: Estrada de Coselhas, 3000-125 Coimbra – Portugal | Tel.: (+351) 239 490100 | Fax: (+351) 239 490198

Branch office: Rua de Aveiro 50, 3050-420 Pampilhosa – Portugal | Tel.: (+351) 239 490100 | Fax: (+351) 231 949292 | comercial@fucoli-somepal.pt



100% MADE IN EUROPE