

# SWING CHECK VALVE SUPRA

## metal seated

### DN 50 - 600 PN10/16

03.105



#### Product description

- Swing check valve metal seated series SUPRA for drinking water and neutral liquids
- Service temperature from 0°C (excluding frost) to 70°C

#### Standards

- Designed according to EN 1074 part 3
- Flange drilling to EN 1092-2 PN10/16
- Face-to-face according to EN 558 table 2 series 48

#### Tests

All valves are individually hydrostatically tested according to EN 1074-3:

- Seal 1.1 x PN (in bar); Body: 1.5 x PN (in bar).

#### Corrosion protection

- Epoxy powder coating RAL 5005
- Applied internal and external with a minimum coating thickness of 250 µm
- Potable water approved epoxy coating, fusion bonded according to DIN 3476-1, EN 14901 and GSK approved

#### Approvals

- GSK Epoxy Coating Certificate GSK-ID:1247 (RAL-GZ 662)

#### Features

- Valve with automatic mechanical closing for installation in pumping systems preventing the return of the flow
- Compact design requires little space for assembly
- The valve should be installed on the horizontal position, the flow must coincide with the arrow direction engraved on the valve body
- Full complete passage without obstacles, avoiding head loss
- Effect of cavitation almost null, due to geometric configuration of the valve
- Easy to maintain, if necessary, components may be replaceable. Disassembly can be accomplished without withdrawing the valve from the pipeline by loosening the screws of the bonnet can remove entire sealing system
- Reliability and stability of the sealing system, designed with double arm support on the shaft and obturator design that allows to fit to the valve body seal
- Valve body supplied as standard with bronze seat
- Obturator in stainless steel AISI 420
- Round EPDM bonnet gasket fixed in a recess, surrounding the bolts, ensuring a perfect seal
- On request possibility to be supplied with seat, obturator and shaft in stainless steel in AISI 316L, by-pass and plug application to check and clean.



RAL GUTZEICHEN  
"BREMSE KENNZEICHEN"  
VON ANHÄNGERN UND FORMSTÜCKEN



100% MADE IN EUROPE



**Fucoli Somepal**  
FUNDAÇÃO DE FERRO, S. A.

Visit our website at [www.fucoli-somepal.pt](http://www.fucoli-somepal.pt)

Head office: Estrada de Coselhas, 3000-125 Coimbra – Portugal | Tel.: (+351) 239 490100 | Fax: (+351) 239 490198

Branch office: Rua de Aveiro 50, 3050-420 Pampilhosa – Portugal | Tel.: (+351) 239 490100 | Fax: (+351) 231 949292 | [comercial@fucoli-somepal.pt](mailto:comercial@fucoli-somepal.pt)

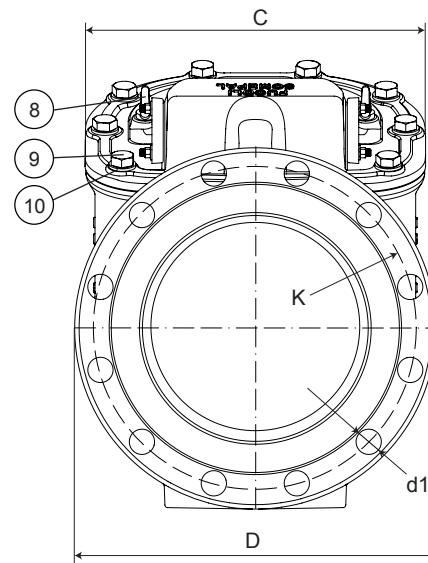
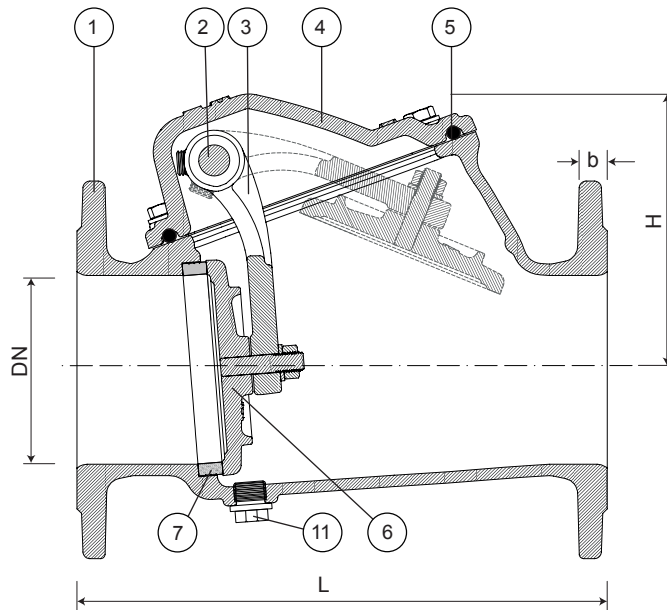
Ed.8 Rev. 1  
08-2022

Being one of the main objectives of our company the development and satisfaction of our customers, we reserve the right to update, change or replace the specifications presented without prior notice.

# SWING CHECK VALVE SUPRA

metal seated  
DN 50 - 600 PN10/16

03.105



## Component list

pos.	components	material	standard
1	Body	Ductile iron EN-GJS-500-7	EN 1563
2	Shaft	Stainless steel AISI 420	EN 10088 - 1
3	Arm	Ductile iron EN-GJS-500-7	EN 1563
4	Bonnet	Ductile iron EN-GJS-500-7	EN 1563
5	Bonnet gasket	Elastomer EPDM	EN 681 - 1
6	Obturator	Stainless Steel AISI 420	EN 10088 - 1

pos.	components	material	standard
7	Seat	Bronze CuSn <sub>7</sub> Zn <sub>4</sub> Pb <sub>7</sub>	EN 1982
8	Lifting eyes (from DN 200)	Stainless steel A2	EN 10088 - 1
9	Bolts	Stainless steel A2	EN 10088 - 1
10	Washers	Stainless steel A2	EN 10088 - 1
11	Plug (option)	Stainless steel A4	EN 10088 - 1

## Reference and dimensions

DN	PN	code	D mm	L mm	H mm	C mm	K mm	n° x d1 mm	b mm	Kg approx.
50	10/16	10752010	165	200	108	110	125	4 x 19	19	10
60	10/16	10752020	175	240	119	123	135	4 x 19	19	11
65	10/16	10752030	185	240	119	123	145	4 x 19	19	12
80	10/16	10752040	200	260	137	140	160	8 x 19	19	15
100	10/16	10752050	220	300	157	168	180	8 x 19	19	20
125	10/16	10752060	250	350	185	215	210	8 x 19	19	30
150	10/16	10752070	285	400	210	242	240	8 x 23	19	41
200	10	10752080	340	500	242	295	295	8 x 23	20	64
200	16	10752085	340	500	242	295	295	12 x 23	20	68
250	10	10752090	400	600	296	377	350	12 x 23	22	94
250	16	10752095	400	600	296	377	355	12 x 28	22	94
300	10	10752100	455	700	325	427	400	12 x 23	24.5	136
300	16	10752105	455	700	325	427	410	12 x 28	24.5	136
350	10	10752110	505	800	400	480	460	16 x 23	24.5	144
350	16	10752115	520	800	400	480	470	16 x 28	26.5	151
400	10	10752120	565	900	435	531	515	16 x 28	24.5	268
400	16	10752125	580	900	435	531	525	16 x 31	28	277
450	10	10752130	615	1000	460	585	565	20 x 28	25.5	377
450	16	10752135	640	1000	460	585	585	20 x 31	30	392
500	10	10752140	670	1100	485	640	620	20 x 28	26.5	404
500	16	10752145	715	1100	485	640	650	20 x 34	31.5	429
600	10	10752150	780	1300	585	750	725	20 x 31	30	602
600	16	10752155	840	1300	585	750	770	20 x 37	36	652



**Fucoli Somepal**  
FUNDAÇÃO DE FERRO, S.N.

Visit our website at [www.fucoli-somepal.pt](http://www.fucoli-somepal.pt)

Head office: Estrada de Coselhas, 3000-125 Coimbra – Portugal | Tel: (+351) 239 490100 | Fax: (+351) 239 490198

Branch office: Rua de Aveiro 50, 3050-420 Pampilhosa – Portugal | Tel: (+351) 239 490100 | Fax: (+351) 231 949292 | [comercial@fucoli-somepal.pt](mailto:comercial@fucoli-somepal.pt)



100% MADE IN EUROPE