

FLANGED METAL SEATED GATE VALVE S15 with handwheel DN 40 - 700 PN10/16/25/40

04.500



Product description

- Flanged metal sealing gate valve for drinking water and neutral liquids
- Service temperature from 0°C (excluding frost) to 70°C

Standards

- Designed according to EN 1074 part 1 & 2 and EN 1171
- Flange drilling to EN 1092-2 PN10/16/25/40
- Face-to-face according to EN 558 series 15

Tests

All valves are individually hydrostatically tested according to EN 1074-1/2 and EN 12266:

- Seal 1.1 x PN (in bar); Body: 1.5 x PN (in bar). Operation torque test

Corrosion protection

- Epoxy powder coating RAL 5005
- Applied internal and external with a minimum coating thickness of 250 µm
- Fusion bonded epoxy coating according DIN 3476-1, EN 14901 and GSK (RAL-GZ662) guidelines

Features

- Isolation valve and regulates the flow
- Full bore
- Robust conception, with inside stem and handwheel
- Stainless steel stem with rolled threads produced by cold rolling process, which keeps the steel structure and increase its mechanical resistance
- Body and wedge seat in bronze seated firmly and machined to obtain a perfect surface finish, ensuring a perfect seal
- Wedge with guides that provides a stable maneuver
- Stem sealing system with 2 O-rings in EPDM, with adjustable gland box
- On request possibility of stem and seats in stainless steel AISI 316L and by-passe;



Fucoli Somepal
FUNDAÇÃO DE FERRO, S. A.

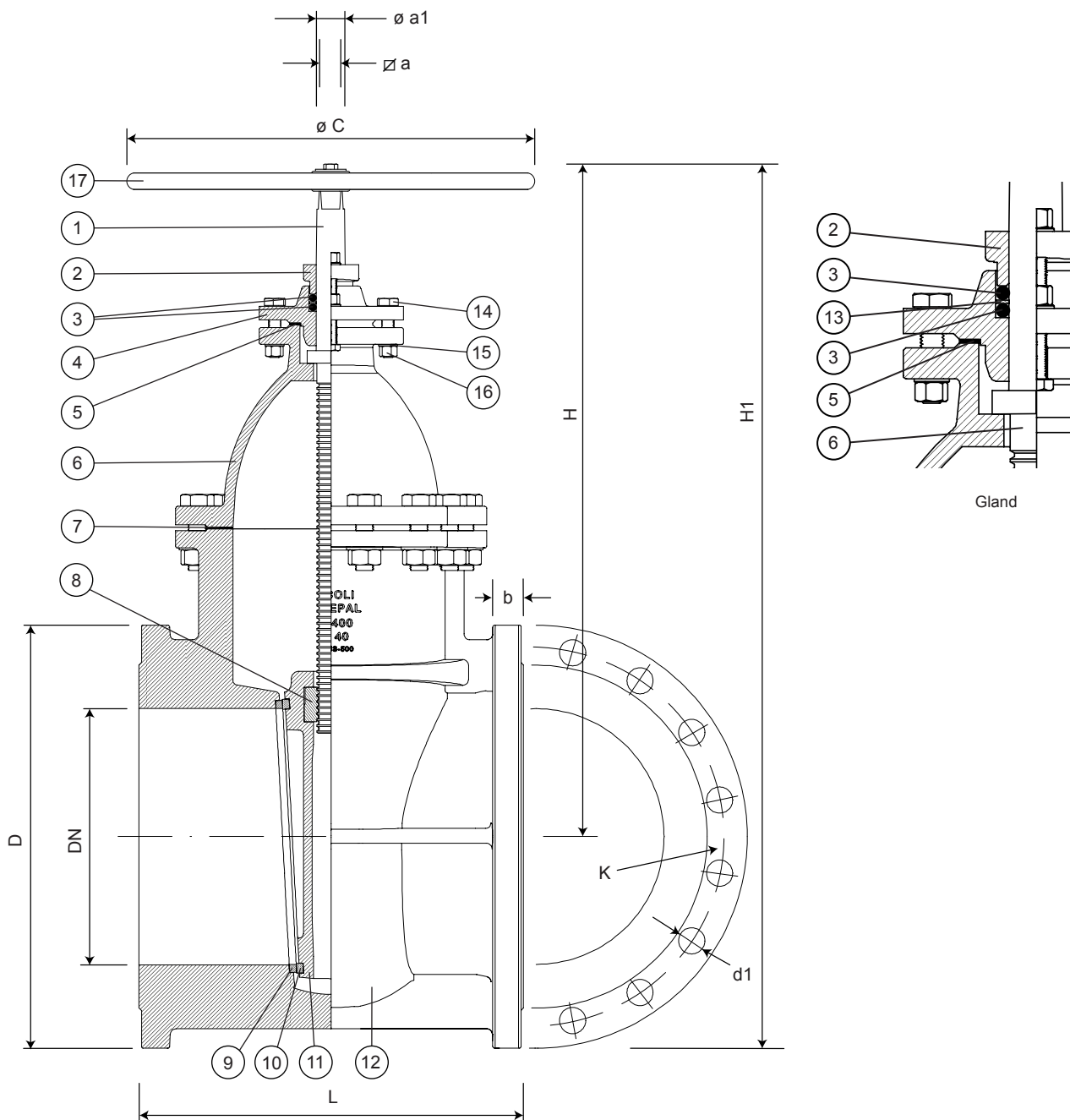
Visit our website at www.fucoli-somepal.pt

Head office: Estrada de Coselhas, 3000-125 Coimbra – Portugal | Tel.: (+351) 239 490100 | Fax: (+351) 239 490198

Branch office: Rua de Aveiro 50, 3050-420 Pampilhosa – Portugal | Tel.: (+351) 239 490100 | Fax: (+351) 231 949292 | comercial@fucoli-somepal.pt

FLANGED METAL SEATED GATE VALVE S15
with handwheel
DN 40 - 700 PN10/16/25/40

04.500



Component list

pos.	components	material	standard
1	Stem	Stainless steel AISI 420	EN 10088 - 1
2	Gland	Ductile iron EN-GJS-500-7	EN 1563
3	O-ring	Elastomer EPDM	EN 681 - 1
4	Gland box	Ductile iron EN-GJS-500-7	EN 1563
5	Sealing washer	Cardboard gasket	BS 7531
6	Bonnet	Ductile iron EN-GJS-500-7	EN 1563
7	Bonnet gasket	Cardboard gasket	BS 7531
8	Wedge nut	Bronze	EN 1982
9	Body seat	Bronze	EN 1982

pos.	components	material	standard
10	Wedge seat	Bronze	EN 1982
11	Wedge	Ductile iron EN-GJS-500-7	EN 1563
12	Body	Ductile iron EN-GJS-500-7	EN 1563
13	Separating washer	Stainless steel AISI 420	EN 10088 - 1
14	Bolts	Steel zinc plated cl 8.8	ISO 898 - 1
15	Washers	Steel zinc plated	ISO 898 - 2
16	Nuts	Steel zinc plated cl 8.8	ISO 898 - 2
17a	Handwheel (≤ DN 200)	Printed stell ST W24	DIN 10305 - 3
17b	Handwheel (> DN200)	Ductile iron EN-GJS-500-7	EN 1563

continued on next page

FLANGED SOFT SEALING GATE VALVE S15
with handwheel
DN 40 - 700 PN10/16/25/40

04.500



continued from previous page

Reference and dimensions

DN	PN	code	D mm	L mm	H mm	H1 mm	K mm	n° x d1 mm	b mm	∅ a mm	∅ a1 mm	∅ C mm	turns to open	Kg approx.
40	10/16	10720175	150	240	295	370	110	4 x 19	19	14.1	20	150	13	20
40	25	10720200	150	240	295	370	110	4 x 19	19	14.1	20	150	13	20
40	40	10720201	150	240	295	370	110	4 x 19	19	14.1	20	150	13	20
50	10/16	10720176	165	250	295	378	125	4 x 19	19	14.1	24	150	13	23
50	25	10720202	165	250	295	378	125	4 x 19	19	14.1	24	150	13	23
50	40	10720203	165	250	295	378	125	4 x 19	19	14.1	24	150	13	23
60	10/16	10720177	175	270	365	453	135	4 x 19	19	19.1	24	250	13	30
60	25	10720204	175	270	365	453	135	8 x 19	19	19.1	24	250	13	30
60	40	10720205	175	270	365	453	135	8 x 19	19	19.1	24	250	13	30
65	10/16	10720178	185	270	365	458	145	4 x 19	19	19.1	24	250	13	31
65	25	10720206	185	270	365	458	145	8 x 19	19	19.1	24	250	13	31
65	40	10720207	185	270	365	458	145	8 x 19	19	19.1	24	250	13	31
80	10/16	10720179	200	280	385	485	160	8 x 19	19	19.1	24	300	16	37
80	25	10720208	200	280	385	485	160	8 x 19	19	19.1	24	300	16	37
80	40	10720209	200	280	385	485	160	8 x 19	19	19.1	24	300	16	37
100	10/16	10720180	220	300	420	530	180	8 x 19	19	19.1	26	300	20	45
100	25	10720210	235	300	420	538	190	8 x 23	19	19.1	26	300	20	45
100	40	10720211	235	300	420	538	190	8 x 23	19	19.1	26	300	20	45
125	10/16	10720181	250	325	500	625	210	8 x 19	19	19.1	28	300	25	66
125	25	10720212	270	325	500	635	220	8 x 28	19	19.1	28	300	25	66
125	40	10720213	270	325	500	635	220	8 x 28	23.5	19.1	28	300	25	66
150	10/16	10720182	285	350	540	683	240	8 x 23	19	19.1	28	300	30	90
150	25	10720214	300	350	540	690	250	8 x 28	20	19.1	28	300	30	90
150	40	10720215	300	350	540	690	250	8 x 28	26	19.1	28	300	30	90
200	10	10720318	340	400	650	820	295	8 x 23	20	24.1	32	400	34	134
200	16	10720198	340	400	650	820	295	12 x 23	20	24.1	32	400	34	139
200	25	10720218	360	400	650	830	310	12 x 28	22	24.1	32	400	34	134
200	40	10720284	375	400	650	838	320	12 x 31	30	24.1	32	400	34	134
250	10	10720320	400	450	785	985	350	12 x 23	22	27.1	36	500	42	203
250	16	10720199	400	450	785	985	355	12 x 28	22	27.1	36	500	42	250
250	25	10720220	425	450	785	998	370	12 x 31	24.5	27.1	36	500	42	203
250	40	10720285	450	450	785	1010	385	12 x 34	34	27.1	36	500	42	203
300	10	10720183	455	500	850	1078	400	12 x 23	24.5	27.1	36	500	50	256
300	16	10720186	455	500	850	1078	410	12 x 28	24.5	27.1	36	500	50	256
300	25	10720222	485	500	850	1093	430	16 x 31	27.5	27.1	36	500	50	256
300	40	10720286	515	500	850	1108	450	16 x 34	39.5	27.1	36	500	50	282
350	10	10720196	505	550	970	1223	460	16 x 23	24.5	27.1	40	600	50	397
350	16	10720187	520	550	970	1230	470	16 x 28	26.5	27.1	40	600	50	397
350	25	10720224	555	550	970	1248	490	16 x 34	30	27.1	40	600	50	397
350	40	10720302	580	550	970	1260	510	16 x 37	44	27.1	40	600	50	464
400	10	10720326	565	600	1130	1412	515	16 x 28	24.5	32.1	45	800	50	525
400	16	10720188	580	600	1130	1420	525	16 x 31	28	32.1	45	800	50	525
400	25	10720226	620	600	1130	1440	550	16 x 37	32	32.1	45	800	50	525
400	40	10720304	660	600	1130	1460	585	16 x 41	48	32.1	45	800	50	650
450	10	10720328	615	650	1160	1468	565	20 x 28	25.5	32.1	45	800	57	-
450	16	10720189	640	650	1160	1480	585	20 x 31	30	32.1	45	800	57	-
450	25	10720228	670	650	1160	1485	600	20 x 37	34.5	32.1	45	800	57	-
450	40	10720306	685	650	1160	1503	610	20 x 41	49	32.1	45	800	57	-

continued on next page

FLANGED METAL SEATED GATE VALVE S15

with handwheel

DN 40 - 700 PN10/16/25/40

04.500



continued from previous page

Reference and dimensions

DN	PN	code	D mm	L mm	H mm	H1 mm	K mm	n° x d1 mm	b mm	∅ a mm	∅ a1 mm	∅ C mm	turns to open	Kg approx.
500	10	10720333	670	700	1240	1575	620	20 x 28	26.5	32.1	50	800	50	897
500	16	10720335	715	700	1240	1598	650	20 x 34	31.5	32.1	50	800	50	897
500	25	10720230	730	700	1240	1605	660	20 x 37	36.5	32.1	50	800	50	897
500	40	10720308	755	700	1240	1618	670	20 x 44	52	32.1	50	800	50	1025
600	10	10720337	780	800	1420	1810	725	20 x 31	30	41.1	55	1200	60	1309
600	16	10720191	840	800	1420	1840	770	20 x 37	36	41.1	55	1200	60	1309
600	25	10720232	845	800	1420	1843	770	20 x 41	42	41.1	55	1200	60	1309
600	40	10720310	890	800	1420	1865	795	20 x 50	58	41.1	55	1200	60	1455
700	10	10720339	895	900	1610	2058	840	24 x 31	32.5	41.1	55	1200	78	1680
700	16	10720192	910	900	1610	2065	840	24 x 37	39.5	41.1	55	1200	78	1680
700	25	10720234	960	900	1610	2090	875	24 x 44	46.5	41.1	55	1200	78	1680



Fucoli Somepal
FUNDIÇÃO DE FERRO, S.A.

Visit our website at www.fucoli-somepal.pt

Head office: Estrada de Coselhas, 3000-125 Coimbra – Portugal | Tel.: (+351) 239 490100 | Fax: (+351) 239 490198

Branch office: Rua de Aveiro 50, 3050-420 Pampilhosa – Portugal | Tel.: (+351) 239 490100 | Fax: (+351) 231 949292 | comercial@fucoli-somepal.pt

