

SERVICE VALVE ANGULAR EXTERNAL THREAD/CONNECTION FOR PE

SÉCULO XXI

DN 20 - 50 PN16

02.201



Product description

- Gate valve with one angularly end external thread and one end with tensile resistant socket joints for PE pipes series SÉCULO XXI for drinking water and neutral liquids
- Service temperature from 0°C (excluding frost) to 40°C

Standards

- Designed according to EN 1074 part 1 & 2 and EN 1171
- External parallel BSP thread (Type G) according to ISO 228-1 and ISO 1179-1
- Socket for PE pipes PE 80 and PE 100 according to EN 12201 up to PN 16

Tests

- All valves are individually hydrostatically tested according to EN 1074-1/2 and EN 12266:
- Seal 1.1 x PN (in bar); Body: 1.5 x PN (in bar). Operation torque test

Corrosion protection

- Epoxy powder coating RAL 5005
- Applied internal and external with a minimum coating thickness of 250 µm
- Potable water approved epoxy coating, fusion bonded according to DIN 3476-1, EN 14901 and GSK approved

Approvals

- Certified according to EN 1074-1/2: AENOR Certificate B18/000001
- ACS Potability Certificate 15 ACC NY 005
- GSK Epoxy Coating Certificate GSK-ID:1247 (RAL-GZ 662)

Features

- Isolation service valve for drinking water
- Full bore
- Low operating torque
- Brass stem washer provides stress fixation and low operating torque
- Stainless steel stem with rolled threads produced by cold rolling process, which keeps the steel structure and increase its mechanical resistance
- Stem sealing with POM bearing with 4 O-rings and a bottom joint in EPDM
- Brass wedge fully vulcanized with drinking water approved EPDM
- Round EPDM bonnet gasket fixed in a recess, ensuring a perfect seal
- Body/bonnet bolts in stainless steel A2 encased and sealed ensuring full corrosion protection
- Socket with EPDM double lip seal ring and POM tension ring ensuring a perfect sealing and PE pipe restraint
- Accessories: handwheel [ref.05.100], stem cap [ref. 05.200], extension spindle [ref. 05.300] and surface box [ref. 05.500]
- On request possibility of stem in stainless steel AISI 316L, NBR sealings and wedge nut in different brass grades.



Fucoli Somepal
FUNDAÇÃO DE FERRO, S. A.

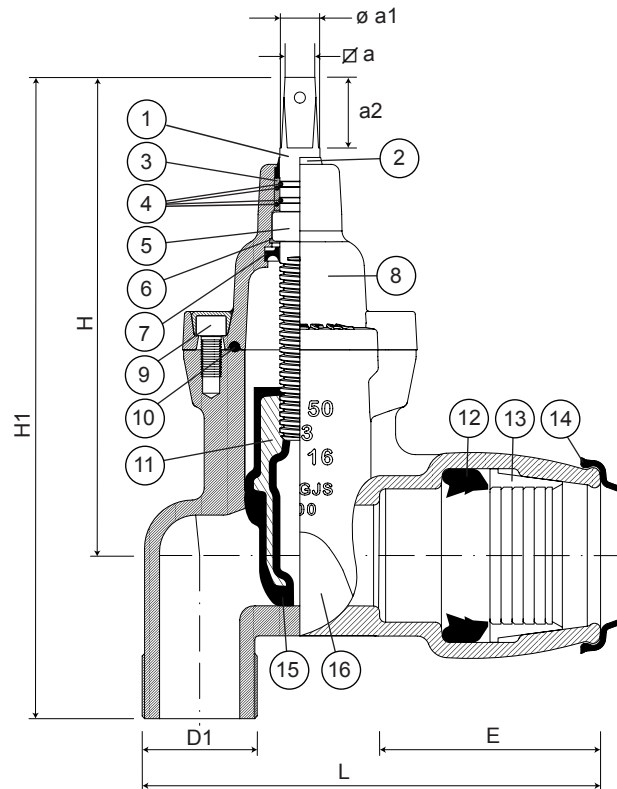
Visit our website at www.fucoli-somepal.pt

Head office: Estrada de Coselhas, 3000-125 Coimbra – Portugal | Tel.: (+351) 239 490100 | Fax: (+351) 239 490198

Branch office: Rua de Aveiro 50, 3050-420 Pampilhosa – Portugal | Tel.: (+351) 239 490100 | Fax: (+351) 231 949292 | comercial@fucoli-somepal.pt

SERVICE VALVE ANGULAR EXTERNAL THREAD/CONNECTION FOR PE SÉCULO XXI DN 20 - 50 PN16

02.201



Component list

pos.	components	material	standard	pos.	components	material	standard
1	Stem	Stainless steel AISI 420	EN 10088 - 1	9	Bolts	Stainless steel A2	EN 10088 - 1
2	Clearing joint	Elastomer		10	Bonnet gasket	Elastomer EPDM	EN 681 - 1
3	Bearing	POM		11	Wedge	Brass	EN 12164
4	O-rings	Elastomer EPDM	EN 681 - 1	12	Lip seal ring	Elastomer EPDM	EN 681 - 1
5	Stem washer	Brass	EN 12164	13	Tension ring	POM	
6	Retaining ring	Stainless steel A2	EN 10088 - 1	14	Protection cap	Elastomer EPDM	EN 681 - 1
7	Joint	Elastomer EPDM	EN 681 - 1	15	Wedge covering	Elastomer EPDM	EN 681 - 1
8	Bonnet	Ductile iron EN-GJS-500-7	EN 1563	16	Body	Ductile iron EN-GJS-500-7	EN 1563

Reference and dimensions

DN	\varnothing PE ext.	D1 (BSP)	code	L mm	E mm	H mm	H1 mm	$\varnothing a$ mm	$\varnothing a1$ mm	a2 mm	turns to open	Kg approx.
25	32	G 1 1/4"	10721152	145	68	177	228	13.1	18	35	7	3
32	40	G 2"	10721153	174	77	206	276	13.1	18	35	10	5
40	50	G 2"	10721154	199	96	206	276	13.1	18	35	10	6
50	63	G 2"	10721155	230	110	238	320	13.1	18	35	13	8



Fucoli Somepal
FUNDIÇÃO DE FERRO, S.A.

Visit our website at www.fucoli-somepal.pt

Head office: Estrada de Coselhas, 3000-125 Coimbra – Portugal | Tel.: (+351) 239 490100 | Fax: (+351) 239 490198

Branch office: Rua de Aveiro 50, 3050-420 Pampilhosa – Portugal | Tel.: (+351) 239 490100 | Fax: (+351) 231 949292 | comercial@fucoli-somepal.pt

