

# SERVICE VALVE INTERNAL THREAD SÉCULO XXI

## DN 20 - 50 PN16

02.100



### Product description

- Gate valve with internal BSP thread series SÉCULO XXI for drinking water and neutral liquids
- Service temperature from 0°C (excluding frost) to 70°C

### Standards

- Designed according to EN 1074 part 1 & 2 and EN 1171
- Face-to-face according to DIN 3202 – 4 (M2)
- Internal parallel BSP thread (Type G) according to ISO 228-1 and ISO 1179-1

### Tests

All valves are individually hydrostatically tested according to EN 1074-1/2 and EN 12266:

- Seal 1.1 x PN (in bar); Body: 1.5 x PN (in bar). Operation torque test

### Corrosion protection

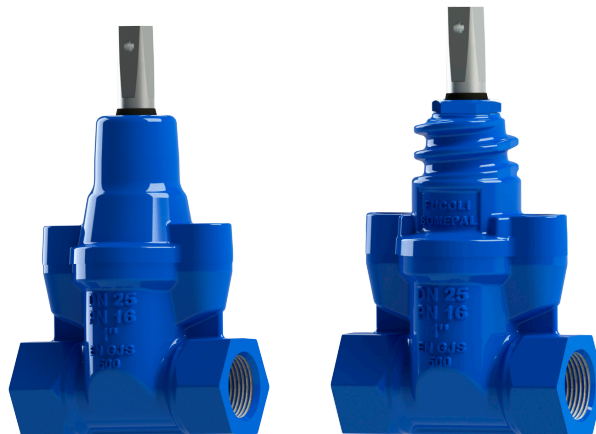
- Epoxy powder coating RAL 5005
- Applied internal and external with a minimum coating thickness of 250 µm
- Potable water approved epoxy coating, fusion bonded according DIN 3476-1, EN 14901 and GSK approved

### Approvals

- Certified according to EN 1074-1/2: KIWA Certificate K76981/01 and AENOR Certificate B18/000001
- ACS Potability Certificate 15 ACC NY 005
- GSK Epoxy Coating Certificate GSK-ID:1247 (RAL-GZ 662)

### Features

- Isolation service valve for drinking water
- Full bore
- Low operating torque
- Brass stem washer provides stress fixation and low operating torque
- Stainless steel stem with rolled threads produced by cold rolling process, which keeps the steel structure and increase its mechanical resistance
- Stem sealing with POM bearing with 4 O-rings and a bottom joint in EPDM
- Brass wedge fully vulcanized with drinking water approved EPDM
- Round EPDM bonnet gasket fixed in a recess ensuring a perfect seal
- Body/bonnet bolts in stainless steel A2 encased and sealed ensuring full corrosion protection
- Accessories: handwheel [ref.05.100], stem cap [ref. 05.200], extension spindle [ref. 05.300] and surface box [ref. 05.500]
- On request possibility of stem in stainless steel AISI 316L, NBR sealings and wedge nut in different brass grades.



**Fucoli Somepal**  
FUNDAÇÃO DE FERRO, S. A.

Visit our website at [www.fucoli-somepal.pt](http://www.fucoli-somepal.pt)

**Head office:** Estrada de Coselhas, 3000-125 Coimbra – Portugal | Tel.: (+351) 239 490100 | Fax: (+351) 239 490198

**Branch office:** Rua de Aveiro 50, 3050-420 Pampilhosa – Portugal | Tel.: (+351) 239 490100 | Fax: (+351) 231 949292 | [comercial@fucoli-somepal.pt](mailto:comercial@fucoli-somepal.pt)

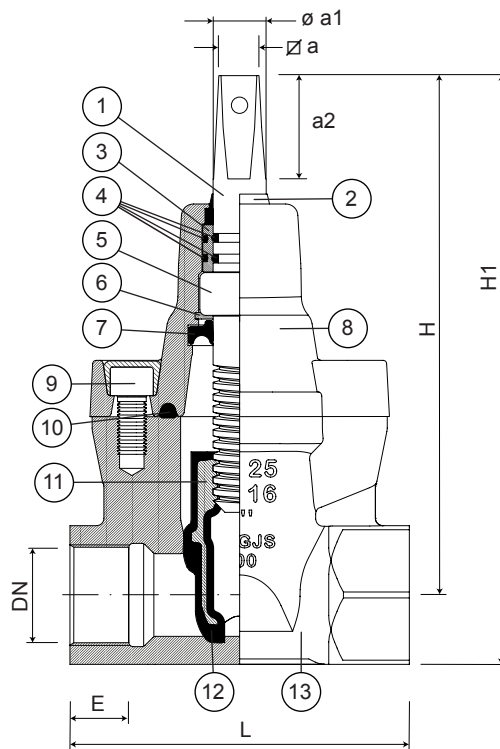
# SERVICE VALVE INTERNAL THREAD SÉCULO XXI

## DN 20 - 50 PN16

02.100



### Service valve internal thread Século XXI



### Component list

pos.	components	material	standard	pos.	components	material	standard
1	Stem	Stainless steel AISI 420	EN 10088 - 1	8	Bonnet	Ductile iron EN-GJS-500-7	EN 1563
2	Clearing joint	Elastomer	-	9	Bolts	Stainless steel A2	EN 10088 - 1
3	Bearing	POM	-	10	Bonnet gasket	Elastomer EPDM	EN 681 - 1
4	O-rings	Elastomer EPDM	EN 681 - 1	11	Wedge	Brass	EN 12164
5	Stem washer	Brass	EN 12164	12	Wedge covering	Elastomer EPDM	EN 681 - 1
6	Retaining ring	Stainless steel A2	EN 10088 - 1	13	Body	Ductile iron EN-GJS-500-7	EN 1563
7	Joint	Elastomer EPDM	EN 681 - 1				

### Reference and dimensions

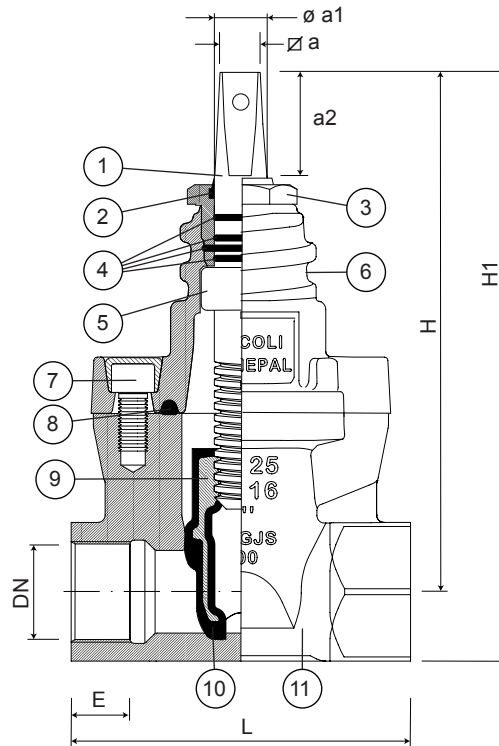
DN	D (BSP)	code	L mm	E mm	H mm	H1 mm	∅ a mm	∅ a1 mm	a2 mm	turns to open	Kg approx.
20	G 3/4"	10720129	100	13	177	201	13.1	18	35	7	3
25	G 1"	10720130	115	20	177	201	13.1	18	35	7	3
32	G 1 1/4"	10720131	130	25	206	236	13.1	18	35	10	4
40	G 1 1/2"	10720132	150	25	206	236	13.1	18	35	10	4
50	G 2"	10720134	180	30	238	276	13.1	18	35	13	6

continued on next page



continued from previous page

### Service valve internal thread and a threaded bonnet Sécuro XXI



### Component list

pos.	components	material	standard	pos.	components	material	standard
1	Stem	Stainless steel AISI 420	EN 10088 - 1	7	Bolts	Stainless steel A2	EN 10088 - 1
2	Clearing joint	Elastomer	-	8	Bonnet gasket	Elastomer EPDM	EN 681 - 1
3	Gland	Brass	EN12164	9	Wedge	Brass	EN 12164
4	O-rings	Elastomer EPDM	EN 681 - 1	10	Wedge covering	Elastomer EPDM	EN 681 - 1
5	Stem washer	Brass	EN 12164	11	Body	Ductile iron EN-GJS-500-7	EN 1563
6	Threaded bonnet	Ductile iron EN-GJS-500-7	EN 1563				

### Reference and dimensions

DN	D (BSP)	code	L mm	E mm	H mm	H1 mm	∅ a mm	∅ a1 mm	a2 mm	turns to open	Kg approx.
20	G ¾"	10720109	100	13	177	201	13.1	18	35	7	3
25	G 1"	10720110	115	20	177	201	13.1	18	35	7	3
32	G 1 ¼"	10720111	130	25	206	236	13.1	18	35	10	4
40	G 1 ½"	10720112	150	25	206	236	13.1	18	35	10	4
50	G 2"	10720113	180	30	238	276	13.1	18	35	13	6

