

DOUBE SOCKET 45° BEND FOR uPVC

Fittings for uPVC pipes

63 - 400 PN16

11.1001



Product description

- Double socket 45° bend for uPVC pipes for waste water
- Service temperature from 0°C (excluding frost) to 70°C

Standards

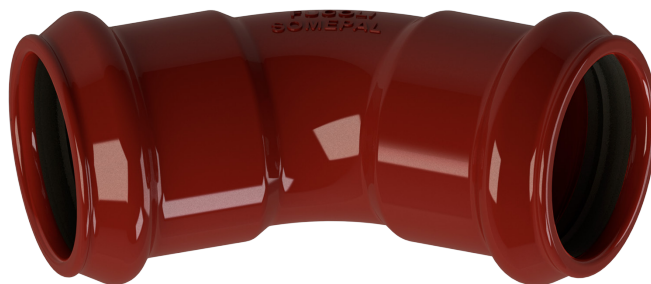
- Designed according to EN 12842
- For uPVC pipes according EN ISO 1452-2

Corrosion protection

- Epoxy powder coating RAL 3011
- Applied internal and external with a minimum coating thickness of 250 µm
- Fusion bonded epoxy coating according EN 14901 and GSK (RAL-GZ662) guidelines

Features

- Fitting for waste water uPVC pipes connection
- Body in ductile cast iron (EN-GJS-500-7)
- Fast and easy to install
- Socket ends with NBR double lip seal ring to ensure a perfect sealing
- Maximum working pressure 16 bar, the maximum working and test pressure must be in accordance with the pipe standard
- This fitting does not guarantee the pipe blocking, they must be anchored by other means.



100% MADE IN EUROPE



Fucoli Somepal
FUNDAÇÃO DE FERRO, S.A.

Visit our website at www.fucoli-somepal.pt

Head office: Estrada de Coselhas, 3000-125 Coimbra – Portugal | Tel.: (+351) 239 490100 | Fax: (+351) 239 490198

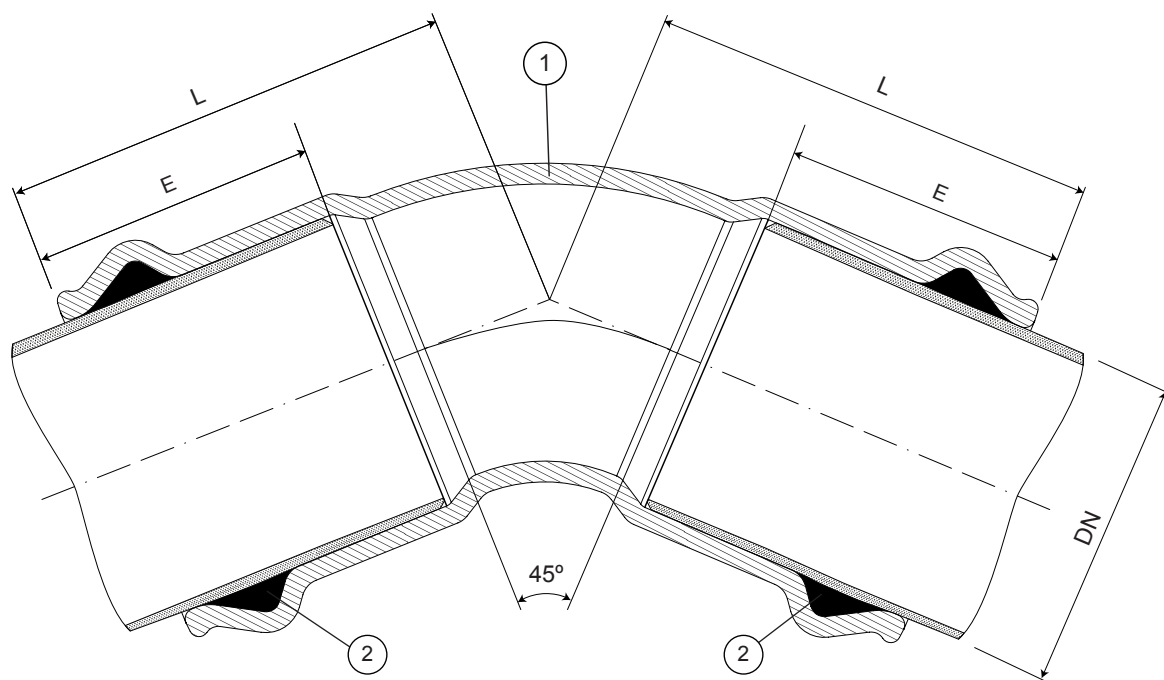
Branch office: Rua de Aveiro 50, 3050-420 Pampilhosa – Portugal | Tel.: (+351) 239 490100 | Fax: (+351) 231 949292 | comercial@fucoli-somepal.pt

DOUBE SOCKET 45° BEND FOR uPVC

Fittings for uPVC pipes

63 - 400 PN16

11.1001



Component list

| pos. | components | material | standard |
|------|--------------|---------------------------|------------|
| 1 | Body | Ductile iron EN-GJS-500-7 | EN 1563 |
| 2 | Sealing ring | Elastomer NBR | EN 681 - 1 |

Reference and dimensions

| $\varnothing D$ ext. PE/uPVC | code | L mm | E mm | Kg approx. |
|---------------------------------|----------|---------|---------|---------------|
| 63 | 10421800 | 130 | 88 | 3 |
| 75 | 10421810 | 137 | 90 | 4 |
| 90 | 10421820 | 147 | 97 | 5 |
| 110 | 10421830 | 165 | 105 | 8 |
| 125 | 10421835 | 172 | 108 | 8 |
| 140 | 10421840 | 183 | 110 | 10 |
| 160 | 10421850 | 205 | 123 | 12 |
| 180 | 10421855 | 215 | 128 | 16 |
| 200 | 10421860 | 225 | 132 | 19 |
| 225 | 10421870 | 246 | 135 | 23 |
| 250 | 10421880 | 263 | 145 | 27 |
| 315 | 10421890 | 308 | 160 | 39 |
| 400 | 10421900 | 350 | 173 | 60 |



Fucoli Somepal
FUNDIÇÃO DE FERRO, S.A.

Visit our website at www.fucoli-somepal.pt

Head office: Estrada de Coselhas, 3000-125 Coimbra – Portugal | Tel.: (+351) 239 490100 | Fax: (+351) 239 490198

Branch office: Rua de Aveiro 50, 3050-420 Pampilhosa – Portugal | Tel.: (+351) 239 490100 | Fax: (+351) 231 949292 | comercial@fucoli-somepal.pt



100% MADE IN EUROPE