

FLANGED TEE
Flanged fittings
DN 40 - 1000 PN10/16/25

10.1700



Product description

- Flanged 45° tee for drinking water and neutral liquids

Standards

- Designed according to EN 545
- Flange drilling to EN 1092-2 PN10/16/25

Corrosion protection

- Epoxy powder coating RAL 5005
- Applied internal and external with a minimum coating thickness of 250 µm
- Potable water approved epoxy coating fusion bonded according EN 14901 and GSK (RAL-GZ662) guidelines

Features

- Fitting approved for drinking water
- Body and flange in ductile cast iron EN-GJS-500-7
- Fast and easy to install
- Fitting with movable flanges up to DN 250 (inclusive) and fixed flanges from DN 300.



Fucoli Somepal
FUNDAÇÃO DE FERRO, S. A.

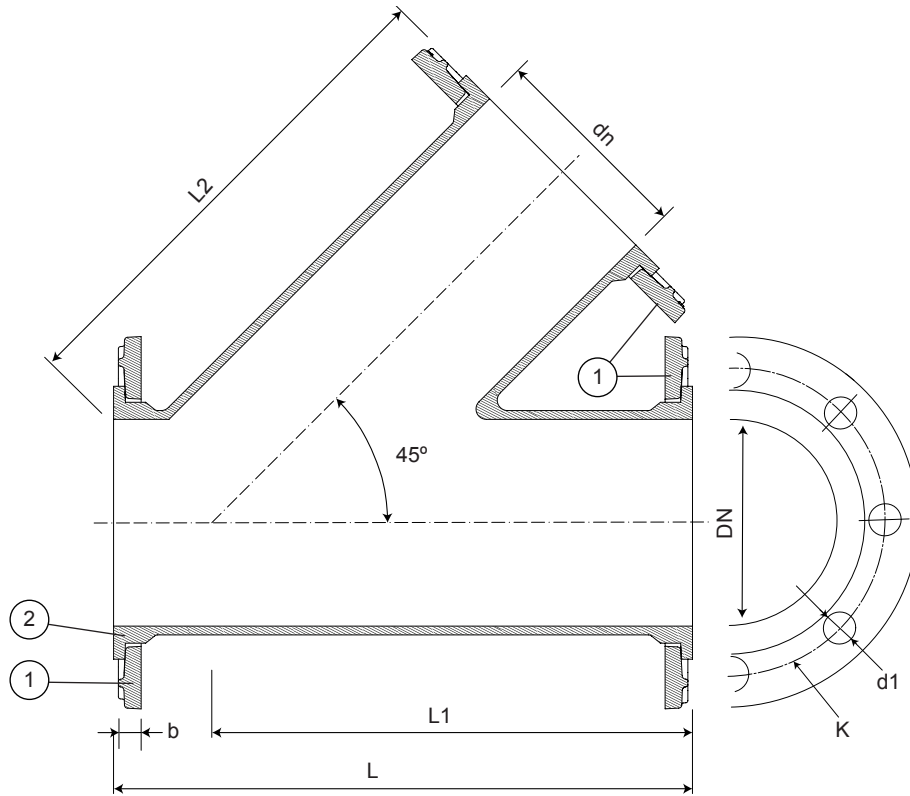
Visit our website at www.fucoli-somepal.pt

Head office: Estrada de Coselhas, 3000-125 Coimbra – Portugal | Tel.: (+351) 239 490100 | Fax: (+351) 239 490198

Branch office: Rua de Aveiro 50, 3050-420 Pampilhosa – Portugal | Tel.: (+351) 239 490100 | Fax: (+351) 231 949292 | comercial@fucoli-somepal.pt

FLANGED TEE
Flanged fittings
DN 40 - 1000 PN10/16/25

10.1700



DN 40 to DN 250



DN 300 to DN 1000

Component list

pos.	components	material	standard
1	Flange	Ductile iron EN-GJS-500-7	EN 1563
2	Body	Ductile iron EN-GJS-500-7	EN 1563

Reference and dimensions

DN x dn	PN	code	L mm	L1 mm	L2 mm	K mm	n° x d1 mm	b mm	Flange movable / fixed	Kg approx.
40 x 40	10/16	10150200	255	210	220	110	4 x 19	21	movable	8
40 x 40	25	10150300	255	210	220	110	4 x 19	21	movable	-
50 x 50	10/16	10150205	280	225	245	125	4 x 19	21	movable	8
50 x 50	25	10150305	280	225	245	125	4 x 19	21	movable	-
60 x 60	10/16	10150210	305	250	270	135	4 x 19	21	movable	10
60 x 60	25	10150310	305	250	270	135	8 x 19	21	movable	-
65 x 65	10/16	10150215	305	250	270	145	4 x 19	21	movable	13
65 x 65	25	10150315	305	250	270	145	8 x 19	21	movable	-
80 x 80	10/16	10150220	330	270	290	160	8 x 19	21	movable	15
80 x 80	25	10150320	330	270	290	160	8 x 19	21	movable	-
100 x 100	10/16	10150225	360	275	325	180	8 x 19	21	movable	22
100 x 100	25	10150325	360	275	325	190	8 x 23	21	movable	-
125 x 125	10/16	10150230	440	365	370	210	8 x 19	21	movable	30
125 x 125	25	10150330	440	365	370	220	8 x 28	21	movable	-
150 x 150	10/16	10150235	500	414	410	240	8 x 23	21	movable	55
150 x 150	25	10150335	500	414	410	250	8 x 28	21	movable	-
200 x 200	10/16	10150240	560	465	480	295	8 - 12 x 23	22	movable	85
200 x 200	25	10150340	560	465	480	310	12 x 28	22	movable	-
250 x 250	10	10150245	600	470	555	350	12 x 23	26	movable	93
250 x 250	16	10150250	600	470	555	355	12 x 28	26	movable	93
250 x 250	25	10150345	600	470	555	370	12 x 31	26	movable	-

continued on next page

All the drawing, technical data, dimensions and weights are not binding. Subject to change. The components may be replaced by equivalent or higher materials without prior notice.

FLANGED TEE
Flanged fittings
DN 40 - 1000 PN10/16/25

10.1700



continued from previous page

DN x dn	PN	code	L mm	L1 mm	L2 mm	K mm	n° x d1 mm	b mm	Flange movable / fixed	Kg approx.
300 x 300	10	10136070	800	660	660	400	12 x 23	24.5	fixed	184
300 x 300	16	10136075	800	660	660	410	12 x 28	24.5	fixed	190
300 x 300	25	10182005	800	660	660	430	16 x 31	27.5	fixed	-
350 x 350	10	10136310	900	750	750	460	16 x 23	24.5	fixed	198
350 x 350	16	10136315	900	750	750	470	16 x 28	26.5	fixed	220
350 x 350	25	10182010	900	750	750	490	16 x 34	30	fixed	-
400 x 400	10	10136320	970	815	830	515	16 x 28	24.5	fixed	370
400 x 400	16	10136322	970	815	830	525	16 x 31	28	fixed	390
400 x 400	25	10182015	970	815	830	550	16 x 37	32	fixed	-
450 x 450	10	10136330	1050	880	890	565	20 x 28	25.5	fixed	410
450 x 450	16	10136335	1050	880	890	585	20 x 31	30	fixed	430
450 x 450	25	10182020	1050	880	890	600	20 x 37	34.5	fixed	-
500 x 500	10	10136340	1140	960	970	620	20 x 28	26.5	fixed	460
500 x 500	16	10136345	1140	960	970	650	20 x 34	31.5	fixed	480
500 x 500	25	10182025	1140	960	970	660	20 x 37	3w6.5	fixed	-
600 x 600	10	10136350	1320	1100	1110	725	20 x 31	30	fixed	773
600 x 600	16	10136355	1320	1100	1110	770	20 x 37	36	fixed	804
600 x 600	25	10182030	1320	1100	1110	770	20 x 41	42	fixed	-
700 x 700	10	10136360	1500	1250	1260	840	24 x 31	32.5	fixed	880
700 x 700	16	10136365	1500	1250	1260	840	24 x 37	39.5	fixed	-
700 x 700	25	10182035	1500	1250	1260	875	24 x 44	46.5	fixed	-
800 x 800	10	10136370	1700	1410	1420	950	24 x 34	35	fixed	1100
800 x 800	16	10136375	1700	1410	1420	950	24 x 41	43	fixed	-
800 x 800	25	10182040	1700	1410	1420	990	24 x 50	51	fixed	-
900 x 900	10	10136380	1850	1530	1550	1050	28 x 34	37.5	fixed	1500
900 x 900	16	10136385	1850	1530	1550	1050	28 x 41	46.5	fixed	-
900 x 900	25	10182045	1850	1530	1550	1090	28 x 50	55.5	fixed	-
1000 x 1000	10	10136390	2000	1680	1710	1160	28 x 37	40	fixed	1800
1000 x 1000	16	10136395	2000	1680	1710	1170	28 x 44	50	fixed	-
1000 x 1000	25	10182050	2000	1680	1710	1210	28 x 57	60	fixed	-



Fucoli Somepal
 FUNDAÇÃO DE FERRO, S. A.

Visit our website at www.fucoli-somepal.pt

Head office: Estrada de Coselhas, 3000-125 Coimbra – Portugal | Tel.: (+351) 239 490100 | Fax: (+351) 239 490198

Branch office: Rua de Aveiro 50, 3050-420 Pampilhosa – Portugal | Tel.: (+351) 239 490100 | Fax: (+351) 231 949292 | comercial@fucoli-somepal.pt

