

SHUT-OFF BLADE ADAPTOR ATC-PRO G 2" PN10

08.101



Product description

- Shut-off blade adaptor ATC-PRO for use in drinking water, neutral liquids and and wastewater treatment saddles
- Service temperature from 0°C (excluding frost) to 70°C

Corrosion protection

- Epoxy powder coating RAL 5005
- Applied internal and external with a minimum coating thickness of 250 µm
- Potable water approved epoxy coating fusion bonded according EN 14901 and GSK (RAL-GZ662) guidelines

Features

- This shut-off adaptor is prepared with a unimpeded direct passage for G 2" drill
- It allows the execution of branche tap with the pipes under pressure
- Shut-off bladen adaptor with threaded outlet and with shut-off blade closing, for a tapping and drilling operation
- Glass reinforced POM cassette sealed with drinking water approved EPDM gasket for permanent seal once tapping is complete
- Accessories: shutt-off in stainless steel with cast iron handle [code 10480466]
- On request possibility of NBR sealing.



Fucoli Somepal
FUNDAÇÃO DE FERRO, S. A.

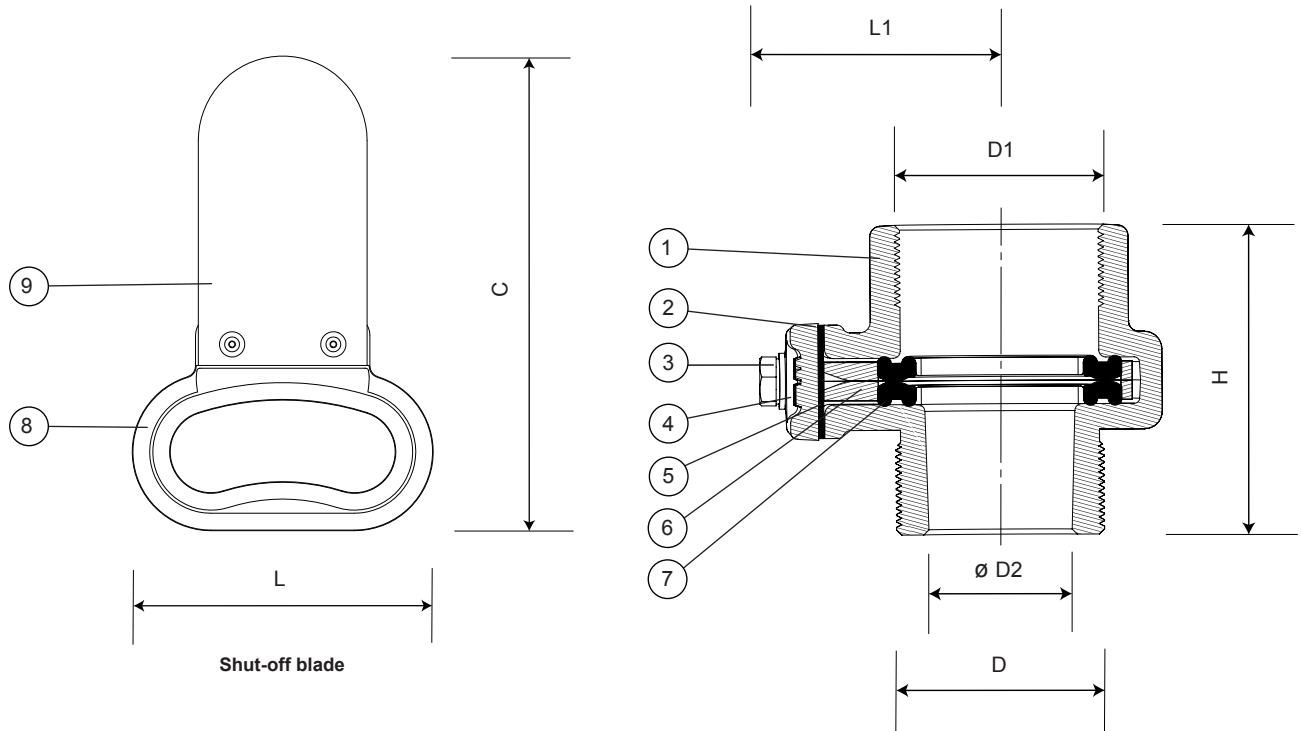
Visit our website at www.fucoli-somepal.pt

Head office: Estrada de Coselhas, 3000-125 Coimbra – Portugal | Tel.: (+351) 239 490100 | Fax: (+351) 239 490198

Branch office: Rua de Aveiro 50, 3050-420 Pampilhosa – Portugal | Tel.: (+351) 239 490100 | Fax: (+351) 231 949292 | comercial@fucoli-somepal.pt

SHUT-OFF BLADE ADAPTOR ATC-PRO G 2" PN10

08.101



Component list

pos.	components	material	standard
1	Body	Ductile iron EN-GJS-500-7	EN 1563
2	Cover	Ductile iron EN-GJS-500-7	EN 1563
3	Bolts	Stainless steel AISI 420	EN 10088 - 1
4	Stem washer	Stainless steel AISI 420	EN 10088 - 1
5	Sealing	Elastomer NBR	EN 681 - 1
6	Cassette	POM	-
7	Sealings	Elastomer EPDM	EN 681 - 1
8	Grip	Ductile iron EN-GJS-500-7	EN 1563
9	Blade	Stainless steel AISI 301	EN 10088 - 1

Reference and dimensions

Shut-off blade			
code	L mm	C mm	Kg approx.
10480466	106.56	168.74	0.3

Shut-off blade adaptor ATC-PRO							
DN	code	D (BSP)	D1 (BSP)	Ø D2 mm	L1 mm	H mm	Kg approx.
2" ½"	10480460	G 2"	G ½"	43	67	88	1
2" ¾"	10480461	G 2"	G ¾"	43	67	88	1
2" 1"	10480462	G 2"	G 1"	43	67	88	2
2" 1 ¼"	10480463	G 2"	G 1 ¼"	43	67	88	2
2" 1 ½"	10480464	G 2"	G 1 ½"	43	67	88	2
2" 2"	10480465	G 2"	G 2"	45	67	88	2



Fucoli Somepal
FUNDAÇÃO DE FERRO, S.A.

Visit our website at www.fucoli-somepal.pt

Head office: Estrada de Coselhas, 3000-125 Coimbra – Portugal | Tel.: (+351) 239 490100 | Fax: (+351) 239 490198

Branch office: Rua de Aveiro 50, 3050-420 Pampilhosa – Portugal | Tel.: (+351) 239 490100 | Fax: (+351) 231 949292 | comercial@fucoli-somepal.pt



100% MADE IN EUROPE