

# FLANGE ADAPTOR FOR UPVC DN 50 - 500 PN10/16

11.2600



## Product description

- Flange adaptor for uPVC pipes for waste water
- Service temperature from 0°C (excluding frost) to 70°C

## Standards

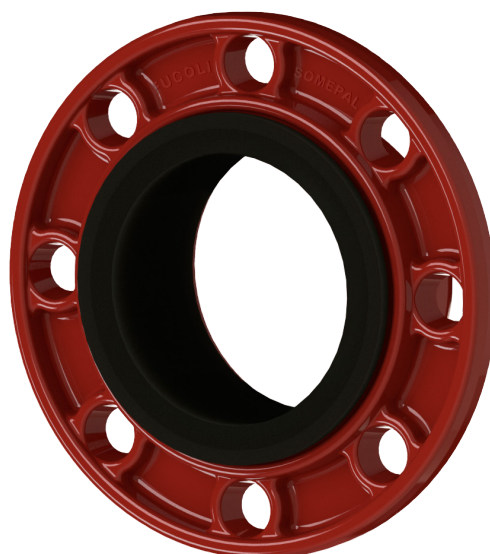
- Designed according to EN 12842
- Flange drilling to EN 1092-2 (ISO 7005-2) PN 10/16

## Corrosion protection

- Epoxy powder coating RAL 3011
- Applied internal and external with a minimum coating thickness of 250 µm
- Fusion bonded epoxy coating according to EN 14901 and GSK (RAL-GZ662) guidelines

## Features

- Flange adaptor for waste water
- Body in ductile cast iron (EN-GJS-500-7)
- Sealing ring in NBR
- Simple and fast instalation
- Flanged fitting connecting any flanged component with PVC pipe
- Allow a maximum deflection angles 3.5°
- Double flange drilling PN 10/16 for DN 50 to DN 300
- Maximum working pressure 16 bar, the max. pressure of service according to pipe standard
- This accessory does not guarantee the locking of the tubes, they must be anchored by other means
- Accessories: kit flange in steel zinc plated [ref. 15.500] or kit flange in stainless steel [ref. 15.510].



**Fucoli Somepal**  
FUNDAÇÃO DE FERRO, S. A.

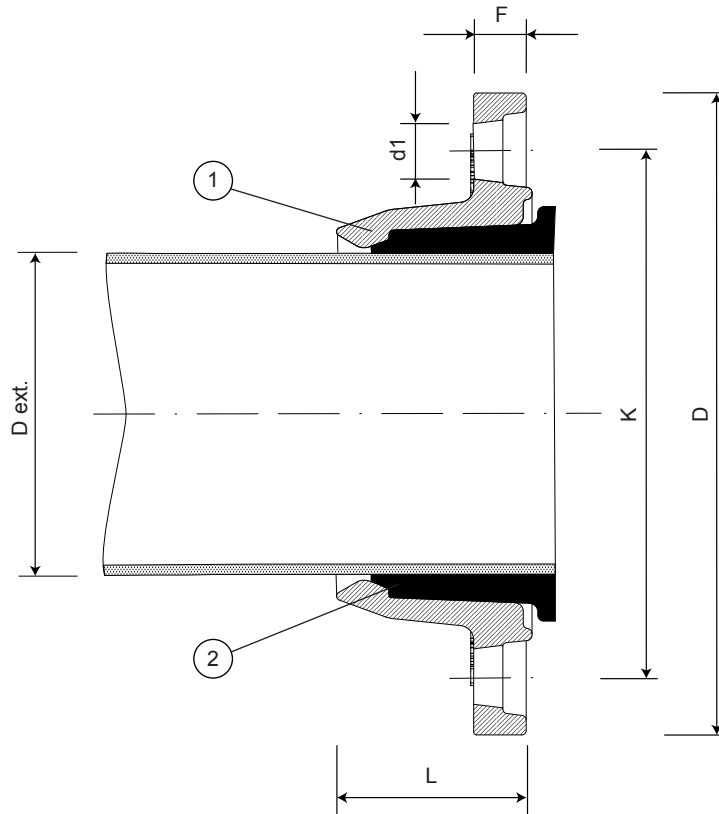
Visit our website at [www.fucoli-somepal.pt](http://www.fucoli-somepal.pt)

**Head office:** Estrada de Coselhas, 3000-125 Coimbra – Portugal | Tel.: (+351) 239 490100 | Fax: (+351) 239 490198

**Branch office:** Rua de Aveiro 50, 3050-420 Pampilhosa – Portugal | Tel.: (+351) 239 490100 | Fax: (+351) 231 949292 | [comercial@fucoli-somepal.pt](mailto:comercial@fucoli-somepal.pt)

# FLANGE ADAPTOR FOR UPVC DN 50 - 500 PN10/16

11.2600



## Component list

pos.	components	material	standard
1	Flange	Ductile iron EN-GJS-500-7	EN 1563
2	Sealing ring	Elastomer NBR	EN 681 - 1

## Reference and dimensions

DN	D ext uPVC	PN	code	D mm	L mm	F mm	K mm	n° x d1 mm	Kg approx.
50	63	10/16	10131805	165	48	20	125	4 x 19	2
50/60/65	63	10/16	10131800	185	48	20	125/135/145	4 x 19	2
60/65	63	10/16	10131810	185	48	20	135/145	4 x 19	2
60/65	75	10/16	10131815	185	54	20	135/145	4 x 19	2
80	90	10/16	10131820	200	56	20	160	8 x 19	3
100	90	10/16	10131825	220	56	20	180	8 x 19	4
100	110	10/16	10131830	220	62	20	180	8 x 19	4
125	125	10/16	10131835	250	66	20	210	8 x 19	4
125	140	10/16	10131840	250	66	20	210	8 x 19	4
150	160	10/16	10131845	285	73	20	240	8 x 23	6
200	200	10/16	10131850	340	84	21	295	8-12 x 23	8
200	225	10/16	10131855	340	84	21	295	8-12 x 23	7
250	250	10/16	10131860	400	101	22	350/355	12 x 23/28	11
250	280	10/16	10131865	400	101	22	350/355	12 x 23/28	11
300	315	10/16	10131870	455	111	23	400/410	12 x 23/28	14
400	400	10	10131875	565	133	25	515	16 x 28	25
400	400	16	10131880	580	133	25	515	16 x 31	26
500	500	10	10131885	670	128	27	620	20 x 28	34
500	500	16	10131890	715	128	27	650	20 x 34	44



**Fucoli Somepal**  
FUNDAÇÃO DE FERRO, S.A.

Visit our website at [www.fucoli-somepal.pt](http://www.fucoli-somepal.pt)

Head office: Estrada de Coselhas, 3000-125 Coimbra – Portugal | Tel.: (+351) 239 490100 | Fax: (+351) 239 490198

Branch office: Rua de Aveiro 50, 3050-420 Pampilhosa – Portugal | Tel.: (+351) 239 490100 | Fax: (+351) 231 949292 | [comercial@fucoli-somepal.pt](mailto:comercial@fucoli-somepal.pt)

