

LID

ROUND, OVAL OR RECTANGULAR

15.100



Product description

- Lid

Corrosion protection

- Water based black painting

Features

- Lock: Hexagon socket 6 mm
- Optionately could be personalized
- Available in others colors.



Fucoli Somepal
FUNDAÇÃO DE FERRO, S. A.

Visit our website at www.fucoli-somepal.pt

Head office: Estrada de Coselhas, 3000-125 Coimbra – Portugal | Tel.: (+351) 239 490100 | Fax: (+351) 239 490198

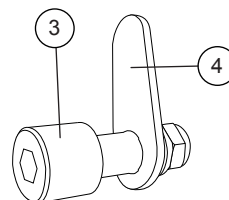
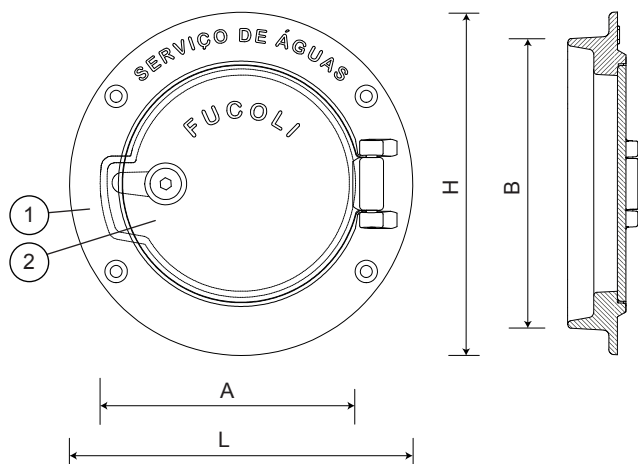
Branch office: Rua de Aveiro 50, 3050-420 Pampilhosa – Portugal | Tel.: (+351) 239 490100 | Fax: (+351) 231 949292 | comercial@fucoli-somepal.pt

LID ROUND, OVAL OR RECTANGULAR

15.100

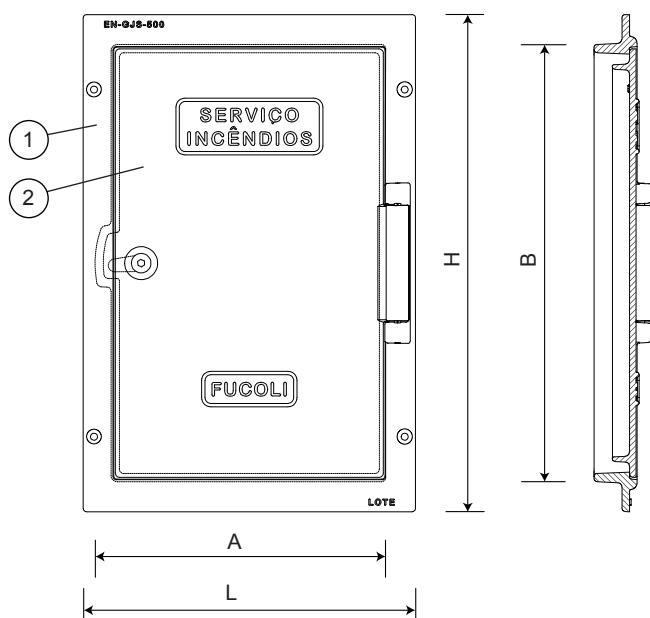


10603110SA

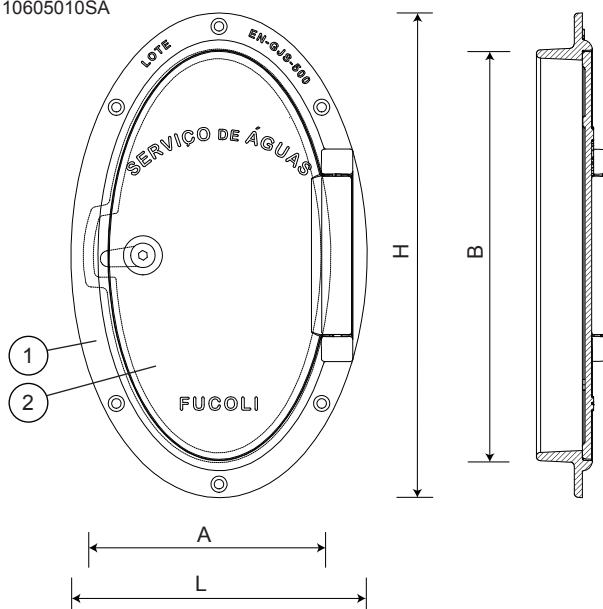


Lock Detail

10609110INC



10605010SA



Component list

pos.	components	material	standard
1	Frame	Ductile iron EN-GJS-500-7	EN 1563
2	Cover	Ductile iron EN-GJS-500-7	EN 1563
3	Lock with hexagonal key	Brass	
4	Latch	Stainless stell	

Reference and dimensions

code	model	L x H dim. max	A x B inlay	clear opening mm	Kg approx.
10603110SA	Round	∅ 200	153 x 137	∅ 126	2
10605010SA	Oval	220 x 360	182 x 305	150 x 290	4
10609110INC	Rectangular	310 x 464	273 x 408	250 x 400	10



Fucoli Somepal
FUNDAÇÃO DE FERRO, S.A.

Visit our website at www.fucoli-somepal.pt

Head office: Estrada de Coselhas, 3000-125 Coimbra – Portugal | Tel.: (+351) 239 490100 | Fax: (+351) 239 490198

Branch office: Rua de Aveiro 50, 3050-420 Pampilhosa – Portugal | Tel.: (+351) 239 490100 | Fax: (+351) 231 949292 | comercial@fucoli-somepal.pt



100% MADE IN EUROPE