

FLANGED METAL SEATED GATE VALVE ISO TOP FLANGE S15

prepared for electric actuator
DN 40 - 700 PN10/16/25/40

04.501



Product description

- Flanged metal sealing gate valve with ISO top flange prepared for electrical actuator for drinking water and neutral liquids
- Service temperature from 0°C (excluding frost) to 70°C

Standards

- Designed according to EN 1074 part 1 & 2 and EN 1171
- Flange drilling to EN 1092-2 PN10/16/25/40
- Face-to-face according to EN 558 series 15
- ISO top flange according to ISO 5210

Tests

All valves are individually hydrostatically tested according to EN 1074-1/2 and EN 12266:

- Seal 1.1 x PN (in bar); Body: 1.5 x PN (in bar). Operation torque test

Corrosion protection

- Epoxy powder coating RAL 5005
- Applied internal and external with a minimum coating thickness of 250 µm
- Fusion bonded epoxy coating according to DIN 3476-1, EN 14901 and GSK (RAL-GZ662) guidelines

Features

- Isolation valve and regulates the flow
- Full bore
- Robust conception, with inside stem and handwheel
- Stainless steel stem with rolled threads produced by cold rolling process, which keeps the steel structure and increase its mechanical resistance
- Body and wedge seat in bronze seated firmly and machined to obtain a perfect surface finish, ensuring a perfect seal
- Wedge with guides that provides a stable maneuver
- Stem sealing system with 2 O-rings in EPDM with adjustable gland box
- ISO top flange according to ISO 5210 for electric actuator or manual gearbox assembling
- Accessories: electric actuator and bevel gearbox
- On request possibility of stem and seats in stainless steel AISI 316L and by-passe;



100% MADE IN EUROPE



Fucoli Somepal
FUNDAÇÃO DE FERRO, S. A.

Visit our website at www.fucoli-somepal.pt

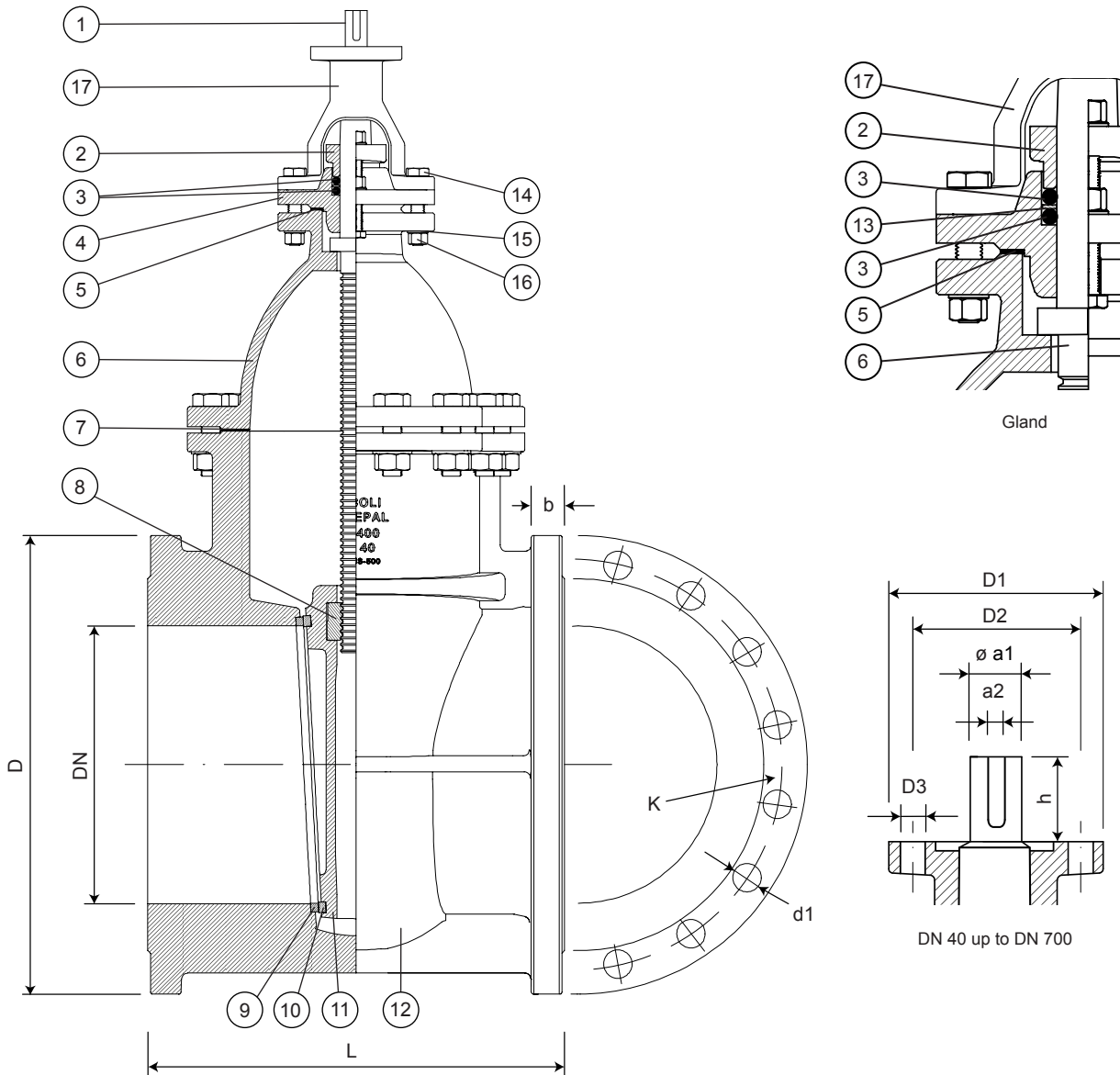
Head office: Estrada de Coselhas, 3000-125 Coimbra – Portugal | Tel.: (+351) 239 490100 | Fax: (+351) 239 490198

Branch office: Rua de Aveiro 50, 3050-420 Pampilhosa – Portugal | Tel.: (+351) 239 490100 | Fax: (+351) 231 949292 | comercial@fucoli-somepal.pt

FLANGED METAL SEATED GATE VALVE ISO TOP FLANGE S15

prepared for electric actuator
DN 40 - 700 PN10/16/25/40

04.501



Component list

pos.	components	material	standard
1	Stem	Stainless steel AISI 420	EN 10088 - 1
2	Gland	Ductile iron EN-GJS-500-7	EN 1563
3	O-ring	Elastomer EPDM	EN 681 - 1
4	Gland box	Ductile iron EN-GJS-500-7	EN 1563
5	Sealing washer	Cardboard gasket	BS 7531
6	Bonnet	Ductile iron EN-GJS-500-7	EN 1563
7	Bonnet gasket	Cardboard gasket	BS 7531
8	Wedge nut	Bronze	EN 1982
9	Body seat	Bronze	EN 1982

pos.	components	material	standard
10	Wedge seat	Bronze	EN 1982
11	Wedge	Ductile iron EN-GJS-500-7	EN 1563
12	Body	Ductile iron EN-GJS-500-7	EN 1563
13	Separating washer	Stainless steel AISI 420	EN 10088 - 1
14	Bolts	Steel zinc plated cl 8.8	ISO 898 - 1
15	Washers	Steel zinc plated	ISO 898 - 2
16	Nuts	Steel zinc plated cl 8.8	ISO 898 - 2
17	Headstock	Ductile iron EN-GJS-500-7	EN 1563

continued on next page

FLANGED METAL SEATED GATE VALVE ISO TOP FLANGE S15
 prepared for electric actuator
DN 40 - 700 PN10/16/25/40

04.501



continued from previous page

Reference and dimensions

DN	PN	code	D mm	L mm	K mm	n° x d1 mm	b mm	ISO 5210 flange	D1 mm	D2 mm	n° x D3 mm	Ø a1 mm	a2 mm	h mm	turns to open	Kg approx.
40	10/16	10720175ISO	150	240	110	4 x 19	19	F10	125	102	4 x 12	20	6	30	13	-
40	25	10720200ISO	150	240	110	4 x 19	19	F10	125	102	4 x 12	20	6	30	13	-
40	40	10720201ISO	150	240	110	4 x 19	19	F10	125	102	4 x 12	20	6	30	13	-
50	10/16	10720176ISO	165	250	125	4 x 19	19	F10	125	102	4 x 12	20	6	30	13	-
50	25	10720202ISO	165	250	125	4 x 19	19	F10	125	102	4 x 12	20	6	30	13	-
50	40	10720203ISO	165	250	125	4 x 19	19	F10	125	102	4 x 12	20	6	30	13	-
60	10/16	10720177ISO	175	270	135	4 x 19	19	F10	125	102	4 x 12	20	6	33	13	-
60	25	10720204ISO	175	270	135	8 x 19	19	F10	125	102	4 x 12	20	6	33	13	-
60	40	10720205ISO	175	270	135	8 x 19	19	F10	125	102	4 x 12	20	6	33	13	-
65	10/16	10720178ISO	185	270	145	4 x 19	19	F10	125	102	4 x 12	20	6	33	13	-
65	25	10720206ISO	185	270	145	8 x 19	19	F10	125	102	4 x 12	20	6	33	13	-
65	40	10720207ISO	185	270	145	8 x 19	19	F10	125	102	4 x 12	20	6	33	13	-
80	10/16	10720179ISO	200	280	160	8 x 19	19	F10	125	102	4 x 12	20	6	33	16	-
80	25	10720208ISO	200	280	160	8 x 19	19	F10	125	102	4 x 12	20	6	33	16	-
80	40	10720209ISO	200	280	160	8 x 19	19	F10	125	102	4 x 12	20	6	33	16	-
100	10/16	10720180ISO	220	300	180	8 x 19	19	F10	125	102	4 x 12	20	6	39	20	-
100	25	10720210ISO	235	300	190	8 x 23	19	F10	125	102	4 x 12	20	6	39	20	-
100	40	10720211ISO	235	300	190	8 x 23	19	F10	125	102	4 x 12	20	6	39	20	-
125	10/16	10720181ISO	250	325	210	8 x 19	19	F10	125	102	4 x 12	20	6	39	25	-
125	25	10720212ISO	270	325	220	8 x 28	19	F10	125	102	4 x 12	20	6	39	25	-
125	40	10720213ISO	270	325	220	8 x 28	23.5	F10	125	102	4 x 12	20	6	39	25	-
150	10/16	10720182ISO	285	350	240	8 x 23	19	F10	125	102	4 x 12	20	6	41	30	-
150	25	10720214ISO	300	350	250	8 x 28	20	F10	125	102	4 x 12	20	6	41	30	-
150	40	10720215ISO	300	350	250	8 x 28	26	F10	125	102	4 x 12	20	6	41	30	-
200	10	10720318ISO	340	400	295	8 x 23	20	F10	125	102	4 x 12	20	6	46	34	-
200	16	10720198ISO	340	400	295	12 x 23	20	F10	125	102	4 x 12	20	6	46	34	-
200	25	10720218ISO	360	400	310	12 x 28	22	F10	125	102	4 x 12	20	6	46	34	-
200	40	10720284ISO	375	400	320	12 x 31	30	F10	125	102	4 x 12	20	6	46	34	-
250	10	10720320ISO	400	450	350	12 x 23	22	F10	125	102	4 x 12	20	6	50	42	-
250	16	10720199ISO	400	450	355	12 x 28	22	F10	125	102	4 x 12	20	6	50	42	-
250	25	10720220ISO	425	450	370	12 x 31	24.5	F10	125	102	4 x 12	20	6	50	42	-
250	40	10720285ISO	450	450	385	12 x 34	34	F10	125	102	4 x 12	20	6	50	42	-
300	10	10720183ISO	455	500	400	12 x 23	24.5	F14	175	140	4 x 18	30	8	50	50	-
300	16	10720186ISO	455	500	410	12 x 28	24.5	F14	175	140	4 x 18	30	8	50	50	-
300	25	10720222ISO	485	500	430	16 x 31	27.5	F14	175	140	4 x 18	30	8	50	50	-
300	40	10720286ISO	515	500	450	16 x 34	39.5	F14	175	140	4 x 18	30	8	50	50	-
350	10	10720196ISO	505	550	460	16 x 23	24.5	F14	175	140	4 x 18	30	8	65	50	-
350	16	10720187ISO	520	550	470	16 x 28	26.5	F14	175	140	4 x 18	30	8	65	50	-
350	25	10720224ISO	555	550	490	16 x 34	30	F14	175	140	4 x 18	30	8	65	50	-
350	40	10720302ISO	580	550	510	16 x 37	44	F14	175	140	4 x 18	30	8	65	50	-
400	10	10720326ISO	565	600	515	16 x 28	24.5	F14	175	140	4 x 18	30	8	65	50	-
400	16	10720188ISO	580	600	525	16 x 31	28	F14	175	140	4 x 18	30	8	65	50	-
400	25	10720226ISO	620	600	550	16 x 37	32	F14	175	140	4 x 18	30	8	65	50	-
400	40	10720304ISO	660	600	585	16 x 41	48	F14	175	140	4 x 18	30	8	65	50	-
450	10	10720328ISO	615	650	565	20 x 28	25.5	F14	175	140	4 x 18	30	8	65	50	-
450	16	10720189ISO	640	650	585	20 x 31	30	F14	175	140	4 x 18	30	8	65	50	-
450	25	10720228ISO	670	650	600	20 x 37	34.5	F14	175	140	4 x 18	30	8	65	50	-
450	40	10720306ISO	685	650	610	20 x 41	49	F14	175	140	4 x 18	30	8	65	50	-

continued on next page

FLANGED METAL SEATED GATE VALVE ISO TOP FLANGE S15

prepared for electric actuator
DN 40 - 700 PN10/16/25/40

04.501



continued from previous page

Reference and dimensions

DN	PN	code	D mm	L mm	K mm	n° x d1 mm	b mm	ISO 5210 flange	D1 mm	D2 mm	n° x D3 mm	Ø a1 mm	a2 mm	h mm	turns to open	Kg approx.
500	10	10720333ISO	670	700	620	20 x 28	26.5	F14	175	140	4 x 18	30	8	65	50	-
500	16	10720335ISO	715	700	650	20 x 34	31.5	F14	175	140	4 x 18	30	8	65	50	-
500	25	10720230ISO	730	700	660	20 x 37	36.5	F14	175	140	4 x 18	30	8	65	50	-
500	40	10720308ISO	755	700	670	20 x 44	52	F14	175	140	4 x 18	30	8	65	50	-
600	10	10720337ISO	780	800	725	20 x 31	30	F16	210	165	4 x 22	40	12	80	60	-
600	16	10720191ISO	840	800	770	20 x 37	36	F16	210	165	4 x 22	40	12	80	60	-
600	25	10720232ISO	845	800	770	20 x 41	42	F16	210	165	4 x 22	40	12	80	60	-
600	40	10720310ISO	890	800	795	20 x 50	58	F16	210	165	4 x 22	40	12	80	60	-
700	10	10720339ISO	895	900	840	24 x 31	32.5	F16	210	165	4 x 22	40	12	80	78	-
700	16	10720192ISO	910	900	840	24 x 37	39.5	F16	210	165	4 x 22	40	12	80	78	-
700	25	10720234ISO	960	900	875	24 x 44	46.5	F16	210	165	4 x 22	40	12	80	78	-



Fucoli Somepal
FUNDAÇÃO DE FERRO, S.A.

Visit our website at www.fucoli-somepal.pt

Head office: Estrada de Coselhas, 3000-125 Coimbra – Portugal | Tel.: (+351) 239 490100 | Fax: (+351) 239 490198

Branch office: Rua de Aveiro 50, 3050-420 Pampilhosa – Portugal | Tel.: (+351) 239 490100 | Fax: (+351) 231 949292 | comercial@fucoli-somepal.pt



100% MADE IN EUROPE