

LARGE TOLERANCE MULTIMATERIALS COUPLING FLANGED ADAPTOR 11.3001

DN 40 - 1200 PN10/16



Product description

- Multimaterial coupling for waste water
- Service temperature from 0°C (excluding frost) to 70°C

Standards

- Designed according to EN 14525

Test according

- EN 14525: Positive internal pressure and negative internal

Corrosion protection

- Epoxy powder coating RAL 3011
- Applied internal and external with a minimum coating thickness of 250 µm
- Fusion bonded epoxy coating according EN 14901 and GSK (RAL-GZ662) guidelines

Features

- Large tolerance multimaterial coupling flanged adaptor for waste water
- NBR sealing gaskets with incorporated O-rings, which ensures an extremely effective seal and absorb minor imperfections in the pipe
- Tolerance range from 30 to 40 mm that allows great versatility of the product and assembly of pipes with different materials and diameters
- Allow a maximum deflection angle of 3°
- Bolts in steel cl. 8.8, geomet coated
- Allow the connection between pipe of ductile iron, steel, uPVC, asbestos cement, glass fibre, among other
- On request possibility of bolts, washers and nuts in stainless steel A2 or A4.



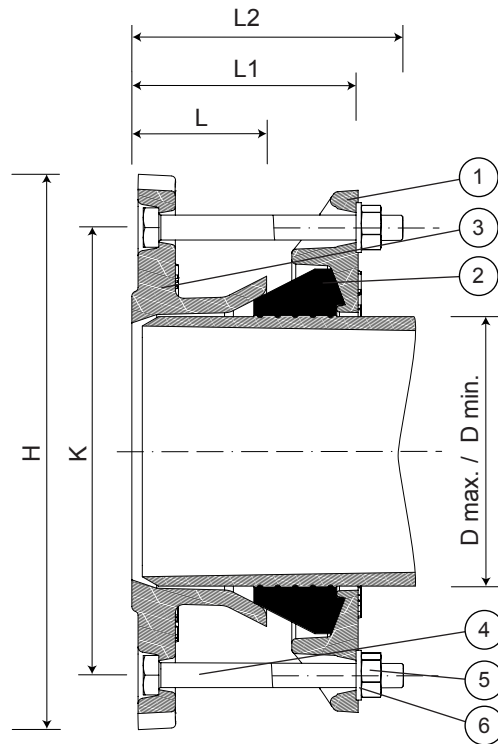
Fucoli Somepal
FUNDAÇÃO DE FERRO, S. A.

Visit our website at www.fucoli-somepal.pt

Head office: Estrada de Coselhas, 3000-125 Coimbra – Portugal | Tel.: (+351) 239 490100 | Fax: (+351) 239 490198

Branch office: Rua de Aveiro 50, 3050-420 Pampilhosa – Portugal | Tel.: (+351) 239 490100 | Fax: (+351) 231 949292 | comercial@fucoli-somepal.pt


LARGE TOLERANCE MULTIMATERIALS COUPLING FLANGED ADAPTOR 11.3001 DN 40 - 1200 PN10/16



Component list

pos.	components	material	standard	pos.	components	material	standard
1	Locking ring	Ductile iron EN-GJS-500-7	EN 1563	4	Bolts	Steel cl 8.8 (geomet coating)	ISO 898-1
2	Sealing	Elastomer NBR	EN 681 - 1	5	Nuts	Steel cl 8 (geomet coating)	ISO 898-2
3	Body	Ductile iron EN-GJS-500-7	EN 1563	6	Washers	Steel (geomet coating)	ISO 898-2

Reference and dimensions

DN flange	D min./max. mm - mm	PN	code	L mm	L1 mm	H flange mm	K mm	Kg approx.	Bolt	L2 mm		Torque
40	25 - 55	10/16	10908200	65	108	150	110	5	3 x M12	120	19 mm	60 - 80 Nm
50	39 - 69	10/16	10908201	65	108	165	125	5	3 x M12	120	19 mm	60 - 80 Nm
50	46 - 76	10/16	10908202	65	108	165	125	5	3 x M12	120	19 mm	60 - 80 Nm
60/65	57 - 87	10/16	10908203	65	108	175/185	135/145	6	4 x M12	120	19 mm	60 - 80 Nm
80	78 - 108	10/16	10908204	65	108	200	160	7	4 x M12	120	19 mm	60 - 80 Nm
80/100	87 - 117	10/16	10908209	65	108	200/220	160/180	7	4 x M12	120	19 mm	60 - 80 Nm
100	87 - 117	10/16	10908205	65	108	220	180	7	4 x M12	120	19 mm	60 - 80 Nm
100	100 - 130	10/16	10908206	65	108	220	180	8	4 x M12	120	19 mm	60 - 80 Nm
100	108 - 138	10/16	10908211	65	114	220	180	7	4 x M12	120	19 mm	60 - 80 Nm
125	117 - 147	10/16	10908207	70	114	250	210	9	4 x M12	120	19 mm	60 - 80 Nm
125/150	129 - 159	10/16	10908208	70	114	250/285	210/240	10	4 x M12	120	19 mm	60 - 80 Nm
150	152 - 182	10/16	10908210	75	119	285	240	11	4 x M16	150	24 mm	100 - 140 Nm
200	186 - 216	10/16	10908212	75	119	340	295	14	4 x M16	150	24 mm	100 - 140 Nm
200	198 - 228	10/16	10908213	75	119	340	295	14	4 x M16	150	24 mm	100 - 140 Nm
250	245 - 280	10/16	10908215	85	140	400	350	21	4 x M16	150	24 mm	100 - 140 Nm
250	266 - 301	10/16	10908216	90	145	400	350	22	6 x M16	150	24 mm	100 - 140 Nm
300	314 - 349	10/16	10908217	90	145	455	400	27	6 x M16	150	24 mm	100 - 140 Nm
350	343 - 378	10/16	10908218	90	145	505/520	460	33	8 x M16	150	24 mm	100 - 140 Nm
350	375 - 410	10/16	10908219	127	145	505/520	460	40	8 x M16	200	24 mm	100 - 140 Nm
400	396 - 431	10	10908221	127	190	565	515	44	8 x M16	200	24 mm	100 - 140 Nm

continued on next page

LARGE TOLERANCE MULTIMATERIALS COUPLING FLANGED ADAPTOR 11.3001 DN 40 - 1200 PN10/16



continued from previous page


DN flange	D min./max. mm - mm	PN	code	L mm	L1 mm	H flange mm	K mm	Kg approx.	Bolt	L2 mm		Torque
400	396 - 431	16	10908222	127	190	580	525	47	8 x M16	200	24 mm	100 - 140 Nm
400	420 - 455	10	10908223	127	190	565	515	46	8 x M16	200	24 mm	100 - 140 Nm
400	420 - 455	16	10908224	127	190	580	525	48	8 x M16	200	24 mm	100 - 140 Nm
450	457 - 492	10	10908225	127	190	615	565	54	10 x M16	200	24 mm	100 - 140 Nm
450	457 - 492	16	10908226	127	190	640	585	55	10 x M16	200	24 mm	100 - 140 Nm
500	497 - 532	10	10908227	127	190	670	620	56	10 x M16	200	24 mm	100 - 140 Nm
500	497 - 532	16	10908228	127	190	715	650	68	10 x M16	200	24 mm	100 - 140 Nm
500	533 - 568	10	10908229	127	190	670	620	56	10 x M16	200	24 mm	100 - 140 Nm
500	533 - 568	16	10908230	127	190	715	650	65	10 x M16	200	24 mm	100 - 140 Nm
600	625 - 660	10	10908233	130	200	780	725	73	10 x M16	200	24 mm	100 - 140 Nm
600	625 - 660	16	10908234	130	200	840	770	93	10 x M16	200	24 mm	100 - 140 Nm
700	710 - 745	10	10908235	160	200	895	840	121	12 x M16	250	24 mm	100 - 140 Nm
700	710 - 745	16	10908236	160	200	910	840	125	12 x M16	250	24 mm	100 - 140 Nm
800	810 - 845	10	10908239	160	200	1015	950	140	12 x M16	250	24 mm	100 - 140 Nm
800	810 - 845	16	10908240	160	200	1025	950	144	12 x M16	250	24 mm	100 - 140 Nm
900	934 - 975	10	10908237	160	200	1115	1050	-	14 x M20	260	30 mm	160 - 200 Nm
900	934 - 975	16	10908238	160	200	1125	1050	182	14 x M20	260	30 mm	160 - 200 Nm
1000	1034 - 1075	10	10908241	160	200	1230	1160	221	14 x M20	260	30 mm	160 - 200 Nm
1000	1034 - 1075	16	10908242	160	200	1255	1170	-	14 x M20	260	30 mm	160 - 200 Nm
1200	1219 - 1260	10	10908243	160	200	1455	1380	264	16 x M20	260	30 mm	160 - 200 Nm
1200	1219 - 1260	16	10908244	160	200	1485	1390	340	16 x M20	260	30 mm	160 - 200 Nm

Table of tolerances and pipes on next page



Fucoli Somepal
FUNDAÇÃO DE FERRO, S. A.

Visit our website at www.fucoli-somepal.pt

Head office: Estrada de Coselhas, 3000-125 Coimbra – Portugal | Tel.: (+351) 239 490100 | Fax: (+351) 239 490198

Branch office: Rua de Aveiro 50, 3050-420 Pampilhosa – Portugal | Tel.: (+351) 239 490100 | Fax: (+351) 231 949292 | comercial@fucoli-somepal.pt



TABLE OF TOLERANCES AND PIPES



DN	Tolerances D min. - max. mm - mm	code		Pipes									
		PN10	PN16	PVC	Ductile iron		Steel	Asbestos cement					
				ø ext. pipe mm	DN	ø ext. pipe mm	ø ext. pipe mm	DN	Class 6	Class 12	Class 18	Class 24	Class 30
40	25 - 55	10908200	10908200	25 32 50	-	-	42.4 48.3	-	-	-	-	-	-
50	39 - 69	10908201	10908201	50 63	40 50	56 66	42.4 48.3 60.3	50	66	66	66	66	66
50	46 - 76	10908202	10908202	63 75	40 50	56 66	48.3 60.3	50 60	66 76	66 76	66 76	66 76	66 -
60/65	57 - 87	10908203	10908203	63 75	50 60 65	66 77 82	60.3 76.1	50 60	66 76	66 76	66 76	66 76	66 78
80	78 - 108	10908204	10908204	90	65 80	82 98	88.9 101.6	60 80	- 96	- 96	- 96	- 98	78 104
80/100	87 - 117	10908209	10908209	90 110	80	98	88.9 101.6 114.3	80 100	96 116	96 116	96 -	98 -	104 -
100	87 - 117	10908205	10908205	90 110	80	98	88.9 101.6 114.3	80 100	96 116	96 116	96 -	98 -	104 -
100	100 - 130	10908206	10908206	110 125	100	118	101.6 114.3	80 100	- 116	- 116	- 118	- 122	104 128
100	108 - 138	10908211	10908211	110 125	100	118	114.3	100	116	116	118	122	128
125	117 - 147	10908207	10908207	125 140	100 125	118 144	139.7	100 125	- 141	- 141	118 145	122 -	128 -
125/150	129 - 159	10908208	10908208	140	125	144	139.7	125	141	141	145	151	157
150	152 - 182	10908210	10908210	160 180	150	170	168.3 177.8	125 150	- 168	- 168	- 174	- 180	157 -
200	186 - 216	10908212	10908212	200	-	-	193.7	150	-	-	-	-	188
200	198 - 228	10908213	10908213	200 225	200	222	219.1	200	220	222	228	-	-
250	245 - 280	10908215	10908215	250 280	250	274	273	200 250	- 272	- 276	- -	- -	250 -
250	266 - 301	10908216	10908216	280	250	274	273	250	272	276	282	294	-
300	314 - 349	10908217	10908217	315	300	326	323.9	300	324	330	338	-	-
350	343 - 378	10908218	10908218	355	350	378	355.6	300 350	- 376	- -	- -	352 -	366 -
350	375 - 410	10908219	10908219	400	350	378	406.4	350	376	384	396	410	-
400	396 - 431	10908221	10908222	400	400	429	406.4	350 400	- 428	- -	- -	- -	426 -
400	420 - 455	10908223	10908224	-	400	429	-	400	-	438	452	-	-
450	457 - 492	10908225	10908226	-	450	480	457.0	400 450	- 482	- 492	- -	470 -	488 -
500	497 - 532	10908227	10908228	500	500	532	508	450	-	-	512	532	-
500	533 - 568	10908229	10908230	560	-	-	559	500	536	548	568	-	-
600	625 - 660	10908233	10908234	630	600	635	660	600	644	660	-	-	-
700	710 - 745	10908235	10908235	710	700	738	711.0	600	-	-	-	-	714
800	810 - 845	10908239	10908240	-	800	842	813.0	700	-	-	-	-	828
900	934 - 975	10908237	10908238	-	900	945	-	800 900	- 960	- -	- -	- -	946 -
1000	1034 - 1075	10908241	1 10908242	-	1000	1048	1067.0	900 1000	- -	- -	- -	1050 1066	-
1200	1219 - 1260	10908243	10908244	-	1200	1255	1219.0	-	-	-	-	-	-

