



Product description

- Fire hydrant series IGNIS prepared for water supply in firefighting, supply of potable water and filtered neutral liquids
- Service temperature from 0°C (excluding frost) to 70°C
- Maximum allowable operating pressure (PFA); Allowable maximum operating pressure PN20 (PMA); Allowable test pressure PN25 (PEA)

Standards

- Designed according to EN14384 and EN 1074-6
- Flange drilling to EN 1092-2

Tests

All fire hydrant are individually hydrostatically tested according to EN 1074-6 and EN 14384

Corrosion protection

- Epoxy coating inside and outside, approved for potable water, with a minimum thickness of 250 µm, approved epoxy coating fusion bonded according EN 14901 and GSK (RAL-GZ662) guidelines; the exterior above the ground line is coated with a second finish in enamel and polyurethane, in a red color resistant to UV rays

Approvals

- Certified according to EN 14384: Certif certificate ESI-002/2023
- CE mark according to EN 14384: Performance Statement certificate 1328-CPR-0065
- ACS Potability Certificate 23 ACC NY 534

Others

- Fucoli-Somepal is registered with the ANPC under No. 197 (under Ordinance 773/2009)
- Fucoli-Somepal is vogal at CT 46/SC2/SG1-1 (hydrant)

Features

- For water supply in fire fighting and supply of drinking water and neutral liquids
- Simple installation and quick operation
- When installed and after loosening the fusible flange bolts, they allow the upper body to rotate 360°
- Standard version supplied with stork anti-theft cap, also available with inviolable blank cap and guillemin cap
- Easy maintenance, with removable sealing system, without having to remove the hydrant from the pipeline
- In the event of an occasional impact that causes a break, sectioning of the frame occurs through the fracture of the fuse flange, allowing its repair under load using only the replacement kit
- Fire frame comes equipped with an integrated drainage system (dry column - Type C). When the column is closed, it automatically empties. Landmark drain time 6,4 minutes
- Fire frame supplied as standard with DN100 double flanged 90° duckfoot bend, on request it can be supplied with movable flanged uPVC socket 90° duckfoot bend, on request it can be supplied with flanged reduction bend of DN100/80, or flange/mouth bend for PVC pipe DN100/110 or DN100/90 with duckfoot
- Accessories: key for fire hydrants [ref.07.500], key for inviolable blank caps [ref. 07.500] and replacement kit [ref. 07.501]
- On request, the fire hydrant can be supplied in other colors; with red bonnet; stem in stainless steel AISI 316L or other; inviolable blank cap or seals in NBR.

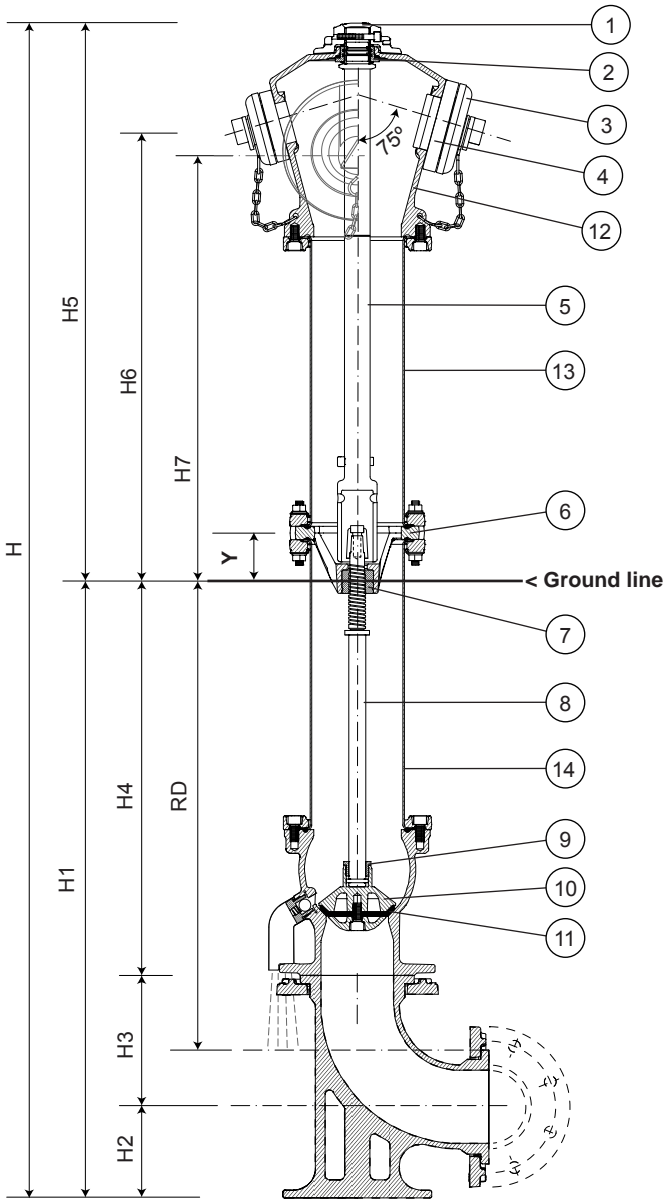


Fucoli Somepal
FUNDAÇÃO DE FERRO, S.A.

Visit our website at www.fucoli-somepal.pt

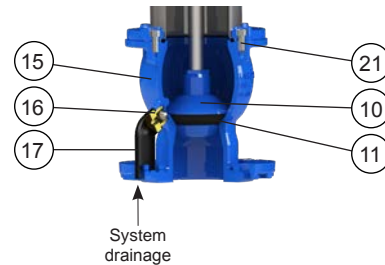
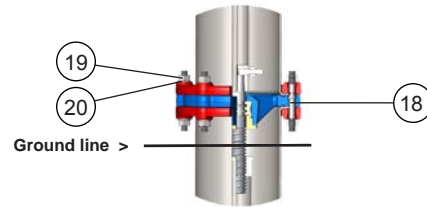
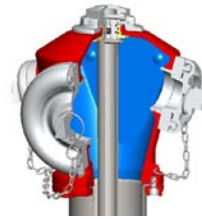
Head office: Estrada de Coselhas, 3000-125 Coimbra – Portugal | Tel.: (+351) 239 490100 | Fax: (+351) 239 490198

Branch office: Rua de Aveiro 50, 3050-420 Pampilhosa – Portugal | Tel.: (+351) 239 490100 | Fax: (+351) 231 949292 | comercial@fucoli-somepal.pt

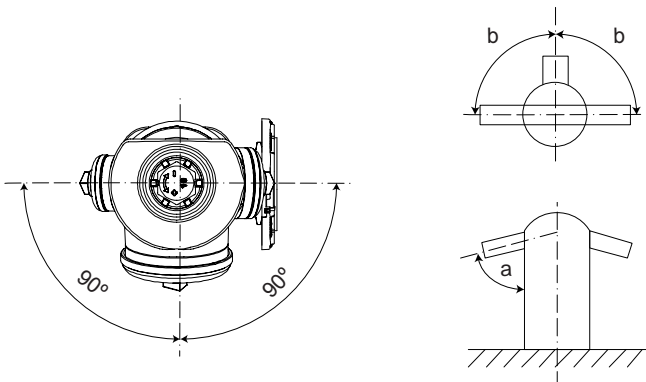


Terms of use

- Allowable operating pressure (PFA) 16 bar
- Number of turns to open fully: 10 turns left
- Drain valve maximum flow time 6,4 min/m
- Volume of retained water 20 ml
- Maximum operating torque (MOT): 125Nm
- Minimum strength torque (mST): 250Nm



Fire hydrant Ignis illustrated option A - Double flanged 90° duckfoot bend DN100



a	b
75° ± 5°	180° ± 5°

HIDRAULIC CHARACTERISTICS Minimum flow coefficient for different connection types and MI height	
storz	(Kv)
52 (DN 50)	64
75 (DN 65)	116
110 (DN 100)	160

continued on next page



continuação da página anterior

Component list

pos.	components	material	standard
1	Opening nut	Aluminum	-
2	Upper body gland	Brass	EN 12164
3	Storz cap	Aluminum	-
4	Storz coupling	Aluminum	-
5	Upper stem rod	Ductile iron EN-GJS-500-7	EN 1563
6	Support	Ductile iron EN-GJS-500-7	EN 1563
7	Wedge nut	Brass	EN 12164
8	Stem	Stainless steel AISI 420	EN 10088 - 1
9	Obturator fixed nut	Brass	EN 12164
10	Obturator	Ductile iron EN-GJS-500-7	EN 1563
11	Obturator joint	Elastomer EPDM WA	EN 681 - 1
12	Body superior	Ductile iron EN-GJS-500-7	EN 1563
13	Superior pipe body	Stainless steel AISI 304	EN 10088 - 1
14	Inferior pipe body	Stainless steel AISI 304	EN 10088 - 1
15	Body inferior	Ductile iron EN-GJS-500-7	EN 1563
16	Automatic ball drain	Brass	-
17	Drain pipe	PE	-
18	Flange fuse	Ductile iron EN-GJS-500-7	EN 1563
19	Nuts	Stainless steel A4	EN 10088 - 1
20	Washers	Stainless steel A2	EN 10088 - 1
21	Bolts	Stainless steel A2	EN 10088 - 1

Reference and dimensions

Key:
RD - Mounting depth. From the ground line to the pipeline

DN	code	RD mm	Y mm	H mm	H1 mm	H2 mm	H3 mm	H4 mm	H5 mm	H6 mm	H7 mm	water outlets			turns to open	Kg approx.
												type	front	side		
100	11220010	670	60	1610	845	125	180	540	760	620	590	Storz	110	75 52	10	44
100	11220010INV	670	60	1610	845	125	180	540	760	620	590	Storz	110	75 52	10	44
100	11220040	670	60	1610	845	125	180	540	760	620	590	Storz	75	52 52	10	44
100	11220040INV	670	60	1610	845	125	180	540	760	620	590	Storz	75	52 52	10	44
100	11220510	670	60	1610	845	125	180	540	760	620	590	Guillemin	100	65 65	10	44
100	11220505	670	60	1610	845	125	180	540	760	620	590	Guillemin	80	40 40	10	44
100	11220015	1000	60	1940	1180	125	180	870	760	620	590	Storz	110	75 52	10	45
100	11220015INV	1000	60	1940	1180	125	180	870	760	620	590	Storz	110	75 52	10	45
100	11220045	1000	60	1940	1180	125	180	870	760	620	590	Storz	75	52 52	10	45
100	11220045INV	1000	60	1940	1180	125	180	870	760	620	590	Storz	75	52 52	10	45
100	11220020	1250	60	2190	1430	125	180	1120	760	620	590	Storz	110	75 52	10	46
100	11220020INV	1250	60	2190	1430	125	180	1120	760	620	590	Storz	110	75 52	10	46
100	11220050	1250	60	2190	1430	125	180	1120	760	620	590	Storz	75	52 52	10	46
100	11220050INV	1250	60	2190	1430	125	180	1120	760	620	590	Storz	75	52 52	10	46
100	11220025	1500	60	2440	1680	125	180	1370	760	620	590	Storz	110	75 52	10	47
100	11220025INV	1500	60	2440	1680	125	180	1370	760	620	590	Storz	110	75 52	10	47
100	11220055	1500	60	2440	1680	125	180	1370	760	620	590	Storz	75	52 52	10	47
100	11220055INV	1500	60	2440	1680	125	180	1370	760	620	590	Storz	75	52 52	10	47
Fire hydrant Ignis AISI 316																
100	11220011	670	60	1610	851	125	180	702	759	603	569	Storz	110	75 52	10	44
100	11220041	670	60	1610	851	125	180	702	759	603	569	Storz	75	52 52	10	44
100	11220016	1000	60	1942	878	125	180	1034	759	603	569	Storz	110	75 52	10	45
100	11220046	1000	60	1942	878	125	180	1034	759	603	569	Storz	75	52 52	10	45

continued on next page - Duckfoot bend

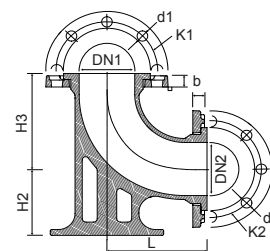


continued from previous page

Option A - Double flanged 90° duckfoot bend



Double flanged 90° duckfoot bend [ref.10.1004]

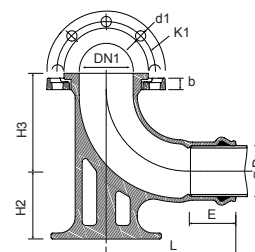


DN1 DN2	PN	code	L mm	H2 mm	H3 mm	K1 mm	n° x d1 mm	K2 mm	n° x d2 mm	b mm	Kg approx.
100	10/16	10001065	180	125	180	180	8 x 19	180	8 x 19	21	16
100 80	10/16	100010651	180	125	180	180	8 x 19	160	8 x 19	21	15

Option B - Movable flanged uPVC socket 90° duckfoot bend



On request movable flanged uPVC socket 90° duckfoot bend [ref.10.104]



DN1	Ø D ext. PVC	PN	code	L mm	E min	H2 mm	H3 mm	K1 mm	n° x d1 mm	b mm	Kg approx.
100	90	10/16	10001064	240	86	125	305	180	8 x 19	19	14
100	110	10/16	10001066	260	115	125	305	180	8 x 19	19	15

