

# BUTTERFLY VALVE DUPLEX 316L

## with seat in stainless steel AISI 316L

### DN 150 - 1100 PN10/16

11.800



#### Product description

- Butterfly valve series DUPLEX 316L for waste water
- Service temperature from 0°C (excluding frost) to 70°C

#### Standards

- Designed according to EN 1074 parte 1 & 2 and EN 593
- Flange drilling to EN 1092-2 PN10/16
- Face-to-face according to EN 558 table 2 series 14

#### Tests

All valves are individually hydrostatically tested according to EN 1074-1/2 and EN 12266:

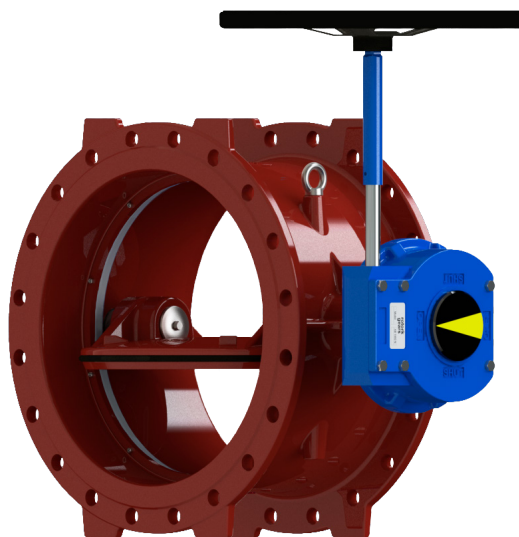
- Seal 1.1 x PN (in bar); Body: 1.5 x PN (in bar)

#### Corrosion protection

- Epoxy powder coating RAL 3011
- Applied internal and external with a minimum coating thickness of 250 µm
- Fusion bonded epoxy coating according to DIN 3476-1, EN 14901 and GSK (RAL-GZ662) guidelines

#### Features

- Isolation and flow regulation valve for waste water
- Double eccentricity valve and bidirectional sealing allowing a perfect seal on both flow directions
- Body in ductile cast iron EN-GJS-500-7
- Body seat in stainless steel AISI 316L
- Shafts in stainless steel AISI 316L bronze covering
- Easy O-rings replacement
- Inovator shutter stability system which impedes its transversal displacement thus guaranteeing a permanent sealing
- Equipped with gearbox IP67 correctly adjusted in the factory, in the opening and closing positions, which guarantee its correct functioning
- Gearbox with worm-gear which blocks the shutter in any position, thus impeding that the impact of the flow changes its position
- On request the possibility of gearbox IP68 and gearbox with limit switches.



**Fucoli Somepal**  
FUNDAÇÃO DE FERRO, S.A.

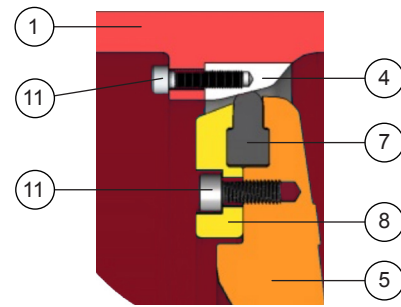
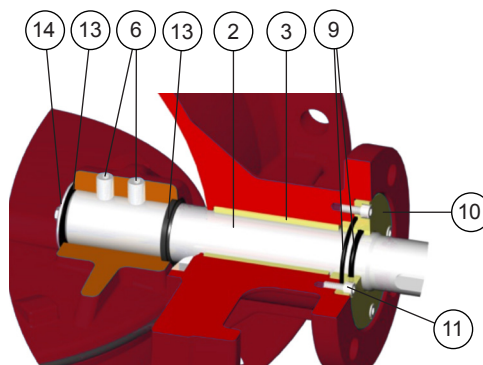
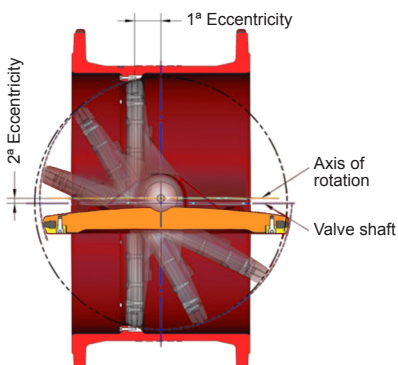
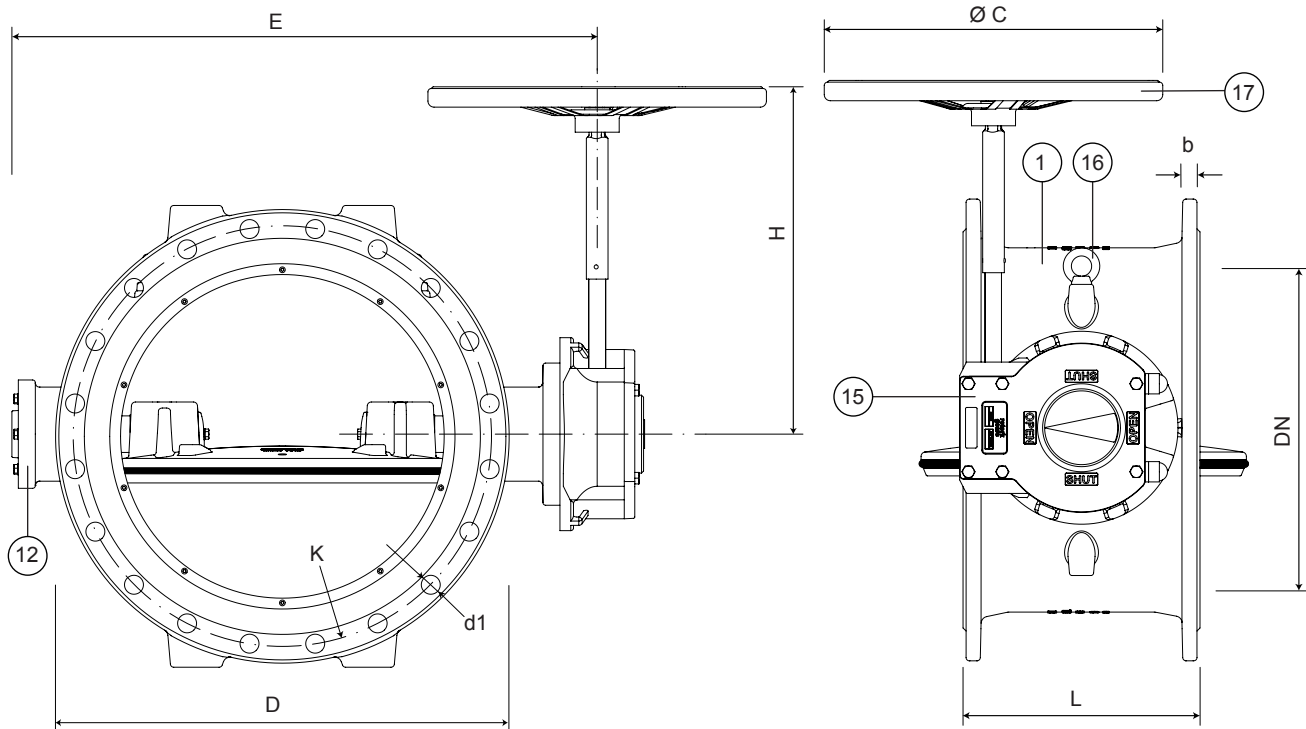
Visit our website at [www.fucoli-somepal.pt](http://www.fucoli-somepal.pt)

**Head office:** Estrada de Coselhas, 3000-125 Coimbra – Portugal | Tel.: (+351) 239 490100 | Fax: (+351) 239 490198

**Branch office:** Rua de Aveiro 50, 3050-420 Pampilhosa – Portugal | Tel.: (+351) 239 490100 | Fax: (+351) 231 949292 | [comercial@fucoli-somepal.pt](mailto:comercial@fucoli-somepal.pt)

**BUTTERFLY VALVE DUPLEX 316L**  
**with seat in stainless steel AISI 316L**  
**DN 150 - 1100 PN10/16**

11.800



Seal detail with body seat in stainless steel AISI 316L

**Component list**

pos.	components	material	standard
1	Body	Ductile iron EN-GJS-500-7	EN 1563
2	Shafts	Stainless steel AISI 316L	EN 10088 - 1
3	Shafts bushing	Bronze	EN 1982
4	Body seat	Stainless steel AISI 316L	EN 10088 - 1
5	Obturator	Ductile iron EN-GJS-500-7	EN 1563
6	Stud	Stainless steel A2	EN 10088 - 1
7	Obturator sealing	Elastomer NBR	EN 681 - 1
8	Seal tightening ring	Ductile iron EN-GJS-500-7	EN 1563
9	O-rings	Elastomer NBR	EN 681 - 1
10	Locking ring O-ring	Bronze	EN 1982
11	Bolts	Stainless steel A2	EN 10088 - 1
12	Side bonnet	Ductile iron EN-GJS-500-7	EN 1563
13	Shafts sealing	Elastomer NBR	EN 681 - 1
14	Shafts washer	Stainless steel AISI 316L	EN 10088 - 1
15	Gearbox	-	-
16	Lifting eyes	Steel zinc plated	-
17	Handwheel	Printed steel ST W24	10305 - 3

continued on next page

**BUTTERFLY VALVE DUPLEX 316L**  
**with seat in stainless steel AISI 316L**  
**DN 150 - 1100 PN10/16**

**11.800**



continued from previous page

Butterfly valve Duplex 316L with Rotork IP67



**Reference and dimensions**

DN	PN	code	D mm	L mm	E mm	H mm	K mm	n° x d1 mm	b mm	Ø C mm	Kg approx.
150	10/16	10777305	285	210	390	294	240	8 x 23	19	200	35
200	10	10777310	340	230	445	304	295	8 x 23	20	200	46
200	16	10777315	340	230	445	304	295	12 x 23	20	200	71
250	10	10777320	400	250	525	380	350	12 x 23	22	250	74
250	16	10777325	400	250	525	380	355	12 x 28	22	250	74
300	10	10777330	455	270	576	380	400	12 x 23	24.5	250	91
300	16	10777335	455	270	576	380	410	12 x 28	24.5	250	91
350	10	10777340	505	290	640	441	460	16 x 23	24.5	300	127
350	16	10777345	520	290	640	441	470	16 x 28	26.5	300	135
400	10	10777350	565	310	731	441	515	16 x 28	24.5	300	148
400	16	10777355	580	310	731	441	525	16 x 31	28	300	157
450	10	10777360	615	330	813	555	565	20 x 28	25.5	300	198
450	16	10777365	640	330	813	555	585	20 x 31	30	300	220
500	10	10777370	670	350	861	555	620	20 x 28	26.5	300	233
500	16	10777375	715	350	861	555	650	20 x 34	31.5	300	257
600	10	10777380	780	390	985	610	725	20 x 31	30	300	312
600	16	10777385	840	390	985	610	770	20 x 37	36	300	355
700	10	10777390	895	430	1095	660	840	24 x 31	32.5	300	460
700	16	10777395	910	430	1095	660	840	24 x 37	39.5	300	512
800	10	10777400	1015	470	1195	660	950	24 x 34	35	300	582
800	16	10777405	1025	470	1195	660	950	24 x 41	43	300	632
900	10	10777410	1115	510	1340	660	1050	28 x 34	37.5	300	895
900	16	10777415	1125	510	1340	660	1050	28 x 41	46.5	300	943
1000	10	10777420	1230	550	1495	670	1160	28 x 37	40	300	1081
1000	16	10777425	1255	550	1495	670	1170	28 x 44	50	300	1152
1100	10	10777427	1340	590	1613	700	1270	32 x 37	42.5	300	1653
1100	16	10777429	1355	590	1613	700	1270	32 x 44	53.5	300	1741

continued on next page

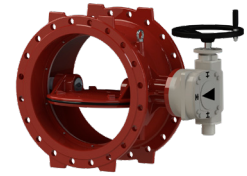
**BUTTERFLY VALVE DUPLEX 316L**  
**with seat in stainless steel AISI 316L**  
**DN 150 - 1100 PN10/16**

11.800



continued from previous page

Butterfly valve Duplex 316L with Auma IP68 (Motorizable)



Reference and dimensions

DN	PN	code	D mm	L mm	E mm	H mm	K mm	n° x d1 mm	b mm	ISO flange for actuator	Ø C mm	Kg approx.
150	10/16	10777305GSVOL	285	210	390	294	240	8 x 23	19	F10	200	-
200	10	10777310GSVOL	340	230	445	304	295	8 x 23	20	F10	200	-
200	16	10777315GSVOL	340	230	445	304	295	12 x 23	20	F10	200	-
250	10	10777320GSVOL	400	250	525	380	350	12 x 23	22	F10	250	-
250	16	10777325GSVOL	400	250	525	380	355	12 x 28	22	F10	250	-
300	10	10777330GSVOL	455	270	576	380	400	12 x 23	24.5	F10	250	-
300	16	10777335GSVOL	455	270	576	380	410	12 x 28	24.5	F10	250	-
350	10	10777340GSVOL	505	290	640	441	460	16 x 23	24.5	F10	300	-
350	16	10777345GSVOL	520	290	640	441	470	16 x 28	26.5	F10	300	-
400	10	10777350GSVOL	565	310	731	441	515	16 x 28	24.5	F10	300	-
400	16	10777355GSVOL	580	310	731	441	525	16 x 31	28	F10	300	-
450	10	10777360GSVOL	615	330	813	555	565	20 x 28	25.5	F10	300	-
450	16	10777365GSVOL	640	330	813	555	585	20 x 31	30	F10	300	-
500	10	10777370GSVOL	670	350	861	555	620	20 x 28	26.5	F10	300	-
500	16	10777375GSVOL	715	350	861	555	650	20 x 34	31.5	F10	300	-
600	10	10777380GSVOL	780	390	985	610	725	20 x 31	30	F10	300	-
600	16	10777385GSVOL	840	390	985	610	770	20 x 37	36	F10	300	-
700	10	10777390GSVOL	895	430	1095	660	840	24 x 31	32.5	F10	300	-
700	16	10777395GSVOL	910	430	1095	660	840	24 x 37	39.5	F10	300	-
800	10	10777400GSVOL	1015	470	1195	660	950	24 x 34	35	F10	300	-
800	16	10777405GSVOL	1025	470	1195	660	950	24 x 41	43	F10	300	-
900	10	10777410GSVOL	1115	510	1340	660	1050	28 x 34	37.5	F10	300	-
900	16	10777415GSVOL	1125	510	1340	660	1050	28 x 41	46.5	F10	300	-
1000	10	10777420GSVOL	1230	550	1495	670	1160	28 x 37	40	F10	300	-
1000	16	10777425GSVOL	1255	550	1495	670	1170	28 x 44	50	F14	300	-
1100	10	10777427GSVOL	1340	590	1613	700	1270	32 x 37	42.5	F10	300	-
1100	16	10777429GSVOL	1355	590	1613	700	1270	32 x 44	53.5	F14	300	-



**Fucoli Somepal**  
 FUNDIÇÃO DE FERRO, S.A.

Visit our website at [www.fucoli-somepal.pt](http://www.fucoli-somepal.pt)

Head office: Estrada de Coselhas, 3000-125 Coimbra – Portugal | Tel.: (+351) 239 490100 | Fax: (+351) 239 490198

Branch office: Rua de Aveiro 50, 3050-420 Pampilhosa – Portugal | Tel.: (+351) 239 490100 | Fax: (+351) 231 949292 | [comercial@fucoli-somepal.pt](mailto:comercial@fucoli-somepal.pt)

