

SOFT SEALING GATE VALVE FLANGE/PE SPIGOT END NEXUS

PE100 PN16 SDR11 pipe end

DN 50 - 200 PN16

01.511



Product description

- Soft sealing gate valve series NEXUS with flange/PE pipe spigot end for drinking water and neutral liquids
- Service temperature from 0°C (excluding frost) to 40°C

Standards

- Designed according to EN 1074 part 1 & 2 and EN 1171
- Flange drilling to EN 1092-2 PN10/16
- PE 100 PN16 SDR11 pipe according to EN 12201-2

Tests

All valves are individually hydrostatically tested according to EN 1074-1/2 and EN 12266:

- Seal 1.1 x PN (in bar); Body: 1.5 x PN (in bar). Operation torque test

Corrosion protection

- Epoxy powder coating RAL 5005
- Applied internal and external with a minimum coating thickness of 250 µm
- Potable water approved epoxy coating, fusion bonded according to DIN 3476-1, EN 14901 and GSK approved

Approvals

- ACS Potability Certificate 23 ACC NY 441
- GSK Epoxy Coating Certificate GSK-ID:1247 (RAL-GZ 662)

Features

- Isolation valve for drinking water with full bore
- Brass stem washer provides stress fixation and low operating torque
- Stainless steel stem with rolled threads produced by cold rolling process, which keeps the steel structure and increase its mechanical resistance
- Stem with stainless steel wedge stop to serve as backstop when the valve is fully open
- Stem sealing with POM bearing with 4 O-rings and a bottom joint in EPDM
- Wedge fully vulcanized with drinking water approved EPDM
- Wedge of polyamide coated guide rails avoiding friction and corrosion
- Wedge with brass nut fixed in the wedge core preventing vibration and ensure a long life span
- Round EPDM bonnet gasket fixed in a recess, surrounding the bolts, ensuring a perfect seal
- Body/bonnet bolts in stainless steel A2 encased and sealed ensuring full corrosion protection
- PE100 PN16 SDR11 pipe end that allow a perfect butt fusion and electrofusion with the PE pipeline
- The PE pipe is pressed onto the grooved valve end body and blocked with a cast iron sleeve and sealed with plastic shrink hose
- Accessories: handwheel (ref.05.100), stem cap (ref. 05.200), extension spindle (ref. 05.300) and surface box (ref. 05.500)
- On request possibility of stem in stainless steel AISI 316L and NBR sealings.



Fucoli Somepal
FUNDAÇÃO DE FERRO, S. A.

Visit our website at www.fucoli-somepal.pt

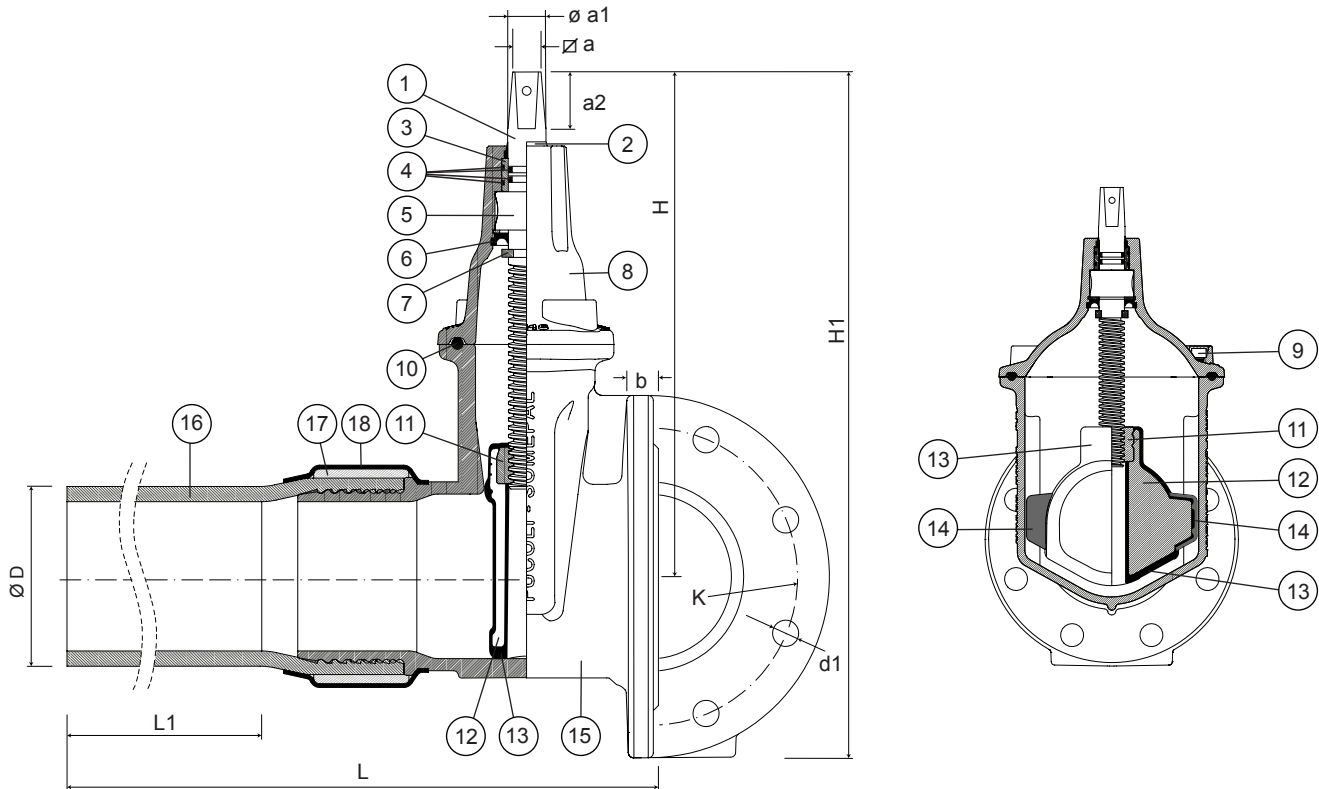
Head office: Estrada de Coselhas, 3000-125 Coimbra – Portugal | Tel.: (+351) 239 490100 | Fax: (+351) 239 490198

Branch office: Rua de Aveiro 50, 3050-420 Pampilhosa – Portugal | Tel.: (+351) 239 490100 | Fax: (+351) 231 949292 | comercial@fucoli-somepal.pt

SOFT SEALING GATE VALVE FLANGE/PE SPIGOT END NEXUS

PE100 PN16 SDR11 pipe end DN 50 - 200 PN16

01.511



Component list

pos.	components	material	standard
1	Stem	Stainless steel AISI 420	EN 10088 - 1
2	Clearing joint	Elastomer	
3	Bearing	POM	
4	O-rings	Elastomer EPDM	EN 681 - 1
5	Stem washer	Brass	EN 12164
6	Joint	Elastomer EPDM	EN 681 - 1
7	Wedge stop	Stainless steel AISI 420	EN 10088 - 1
8	Bonnet	Ductile iron EN-GJS-500-7	EN 1563
9	Bolts	Stainless steel A2	EN 10088 - 1

pos.	components	material	standard
10	Bonnet gasket	Elastomer EPDM	EN 681 - 1
11	Wedge nut	Brass	EN 12164
12	Wedge	Ductile iron EN-GJS-500-7	EN 1563
13	Wedge covering	Elastomer EPDM	EN 681 - 1
14	Wedge guide	Polyamide	
15	Body	Ductile iron EN-GJS-500-7	EN 1563
16	Pipe	PE100 PN16 SDR11	EN 12201 - 2
17	Sleeve	Ductile iron EN-GJS-500-7	EN 1563
18	Shrink hose	Plastic	

Reference and dimensions

DN	flange mm	$\varnothing D$ ext. PE	PN	code	L mm	L1 min	H mm	H1 mm	D mm	K mm	n° x d1 mm	b mm	$\varnothing a$ mm	$\varnothing a1$ mm	a2 mm	turns to open	Kg approx.
50	50	63	16	10750610	410	190	214	297	165	125	4 x 19	19	14.1	18	29	13	8
50	60/65	63	16	10750612	410	190	214	307	185	135/145	4 x 19	19	14.1	18	29	13	8
65	60/65	75	16	10750615	430	190	252	345	185	135/145	4 x 19	19	17.1	22	34	14	10
80	80	90	16	10750620	480	230	277	377	200	160	8 x 19	19	17.1	22	34	16	14
100	100	110	16	10750625	485	230	306	416	220	180	8 x 19	19	19.1	23	38	20	17
100	100	125	16	10750630	495	240	306	416	220	180	8 x 19	19	19.1	23	38	25	18
150	150	160	16	10750635	545	250	400	542	285	240	8 x 23	19	19.1	26	38	30	34
150	150	180	16	10750640	545	250	400	542	285	240	8 x 23	19	19.1	26	38	30	35
200*	200	200	10	10750643	625	285	471	641	340	295	8 x 23	20	24.1	28	38	40	52
200	200	200	16	10750645	625	285	471	641	340	295	12 x 23	20	24.1	28	38	40	52
200*	200	225	10	10750647	630	285	471	641	400	295	8 x 23	20	24.1	28	38	40	53
200	200	225	16	10750650	630	285	471	641	400	295	12 x 23	20	24.1	28	38	40	53

* Flange drilling PN10, PE100 PN 16 SDR11



Fucoli Somepal
FUNDAÇÃO DE FERRO, S.A.

Visit our website at www.fucoli-somepal.pt

Head office: Estrada de Coselhas, 3000-125 Coimbra – Portugal | Tel: (+351) 239 490100 | Fax: (+351) 239 490198

Branch office: Rua de Aveiro 50, 3050-420 Pampilhosa – Portugal | Tel: (+351) 239 490100 | Fax: (+351) 231 949292 | comercial@fucoli-somepal.pt



100% MADE IN EUROPE