

UNDERGROUND FIRE HYDRANT

DN 80 - 100 PN16

07.300



Product description

- Underground fire hydrant for firefighting, drinking water and neutral liquids
- Service temperature from 0°C (excluding frost) to 70°C

Standards

- Designed according to EN 14339 and EN 1074-6
- Flange drilling to EN 1092-2 PN10/16

Tests

All underground hydrants are individually hydrostatically tested according to EN 14339 and EN 1074-6

- Seal 1.1 x PN (in bar); Body: 1.5 x PN (in bar)

Corrosion protection

Hydrant

- Epoxy powder coating RAL 5005 (blue)
- Applied internal and external with a minimum coating thickness of 250 µm
- Potable water approved epoxy coating fusion bonded according DIN 3476-1, EN 14901 and GSK (RAL-GZ662) guidelines

Protective box and bonnet

- Red-colored protective box and cover coating RAL 3000
- Interior and exterior coating of the box and cover cover in polyester UV rays

Approvals

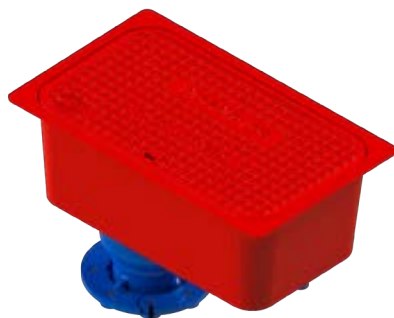
- Certified according to EN 14384: Certif certificate ESI-004/2023 (DN80) and certificate ESI-005/2023 (DN100)
- CE mark according to EN 14384: Performance Statement certificate 1328-CPR-0064 (DN80) and certificate 1328-CPR-0099 (DN100)

Others

- Fucoli-Somepal is registered with the ANPC under No. 197 (under Ordinance 773/2009)
- Fucoli-Somepal is vogal at CT 46/SC2/SG1-1 (hydrant)

Features

- Prepared for firefighting and supplying potable water and neutral liquids.
- Simple installation and absolute security
- Hydrant DN 80 available with different outlets: storz 75 (B), barcelona 70 (UNE 23400), guillemin, threaded, or other
- Hydrant DN 100 available with different outlets: storz 110 (C), barcelona 100 (UNE 23400), guillemin, threaded, or other
- Connection to the pipeline through a mobile flange
- Brass stem washer provides stress fixation and low operating torque
- Stainless steel stem with rolled threads produced by cold rolling process, which keeps the steel structure and increase its mechanical resistance
- Stem sealing with 4 O-rings and a bottom joint in EPDM
- Round EPDM bonnet gasket fixed in a recess ensuring a perfect seal
- Body/bonnet bolts in stainless steel A2 encased and sealed ensuring full corrosion protection
- Protective box with cover and lock for restricted access to authorized services
- Protective box may be buried, but the access cover must remain above ground
- On request possibility of AISI 316L stainless steel spindle, NBR sealings, and other types of outlets for hose coupling are possible
- Cover and protective box available in other colors, customization on the protective box's cover with inscriptions and logo in high relief with minimal quantities.



Fucoli Somepal
FUNDAÇÃO DE FERRO, S. A.

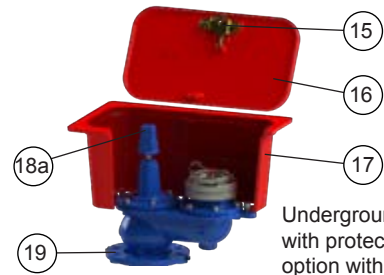
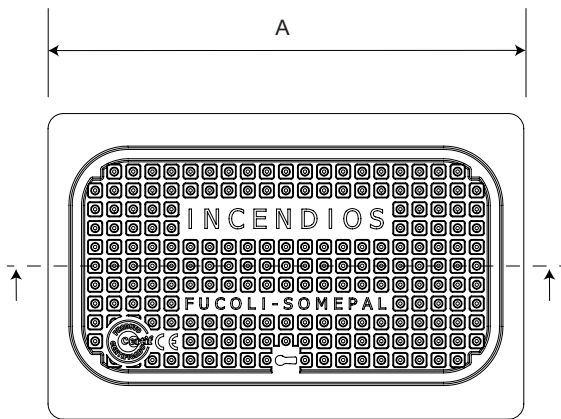
Visit our website at www.fucoli-somepal.pt

Head office: Estrada de Coselhas, 3000-125 Coimbra – Portugal | Tel.: (+351) 239 490100 | Fax: (+351) 239 490198

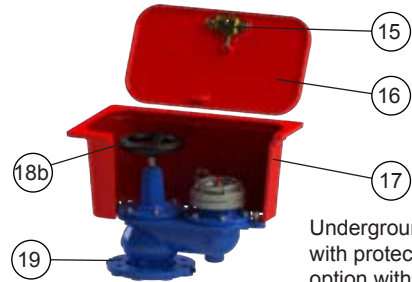
Branch office: Rua de Aveiro 50, 3050-420 Pampilhosa – Portugal | Tel.: (+351) 239 490100 | Fax: (+351) 231 949292 | comercial@fucoli-somepal.pt

UNDERGROUND FIRE HYDRANT DN 80 - 100 PN16

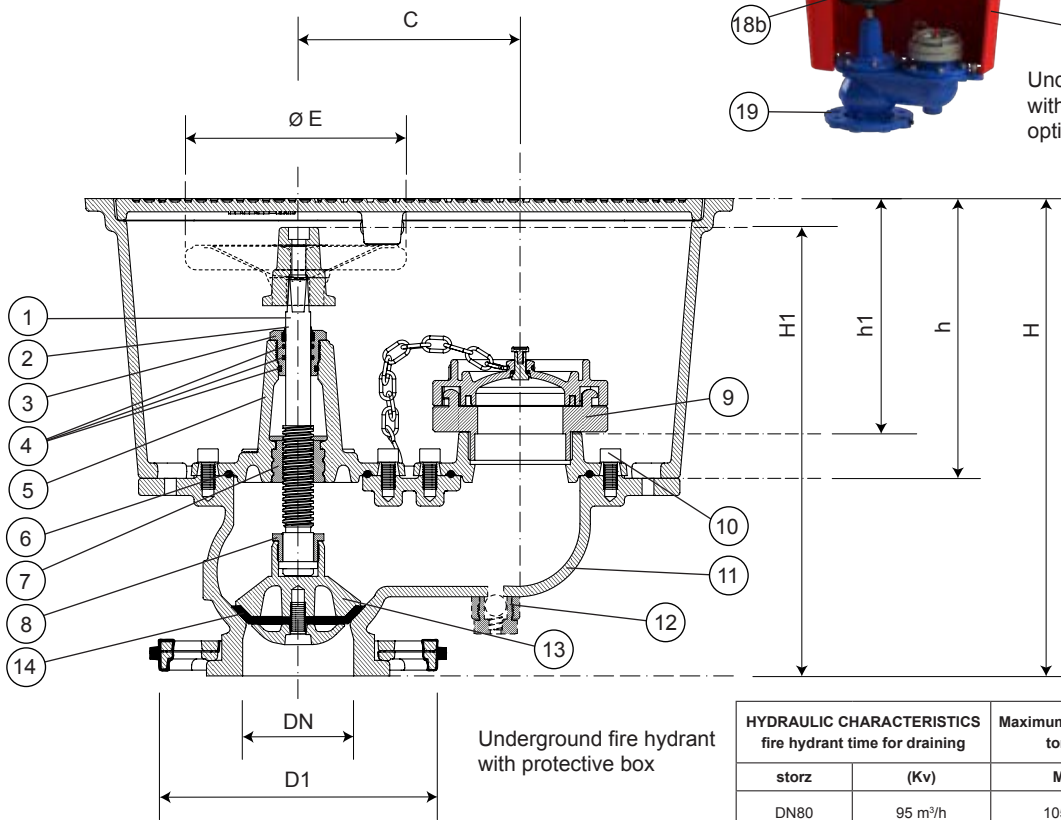
07.300



Underground fire hydrant with protective box option with stem cap



Underground fire hydrant with protective box option with handwheel



Underground fire hydrant with protective box

HYDRAULIC CHARACTERISTICS		Maximum operating torque	Minimum torque resistance
fire hydrant time for draining			
storz	(Kv)	MOT	mST
DN80	95 m ³ /h	105 Nm	210 Nm
DN100	184 m ³ /h	130 Nm	260 Nm

Component list

pos.	components	material	standard
1	Stem	Stainless steel AISI 420	EN 10088 - 1
2	Clearing joint	Elastomer	
3	Gland	Brass	EN 12164
4	O-rings	Elastomer EPDM	EN 681 - 1
5	Cover	Ductile iron EN-GJS-500-7	EN 1563
6	Bonnet gasket	Elastomer EPDM WA	EN 681 - 1
7	Stem nut	Brass	EN 12164
8	Obturator nut	Brass	EN 12164
9	Storz 75 cap	Aluminum AISI 12	EN 1706
10	Bolts	Stainless steel A2	EN 10088 - 1
11	Body	Ductile iron EN-GJS-500-7	EN 1563

pos.	components	material	standard
12	Automatic ball drain (option)	Brass	-
13	Obturator	Ductile iron EN-GJS-500-7	EN 1563
14	Obturator joint	Elastomer EPDM WA	EN 681 - 1
15	Fecho	Brass	CB754S
16	Protective box cover	Ductile iron EN-GJS-500-7	EN 1563
17	Protective box	Ductile iron EN-GJS-500-7	EN 1563
18a	Stem cap	Ductile iron EN-GJS-500-7	EN 1563
18b	Handwheel	Printed stell ST W24	EN 10111 and 10130
19	Flange	Ductile iron EN-GJS-500-7	EN 1563

continued on next page

UNDERGROUND FIRE HYDRANT DN 80 - 100 PN16

07.300



continued from previous page

Underground fire hydrant DN 80

Reference and dimensions

DN	code	Water outlet	stem cap	handwheel	D1 mm	H mm	H1		h mm	h1 mm	A mm	B mm	C mm	Ø E mm	turns to open	Kg approx.
							open	close								
Hydrant with protective box																
80	11209430	Storz 75			200	344	-	-	202	147	476	300	160	-	9	37
80	11209430DAD	Storz 75	•		200	344	368	328	202	147	476	300	160	-	9	37
80	11209430VOL	Storz 75		•	200	344	348	308	202	147	476	300	160	150	9	37
80	-	Barcelona 70			200	344	-	-	202	147	476	300	160	-	9	37
80	11209411	Barcelona 70	•		200	344	368	328	202	147	476	300	160	-	9	37
80	-	Barcelona 70		•	200	344	348	308	202	147	476	300	160	150	9	37
Hydrant without protective box																
80	11209450	Storz 75			200	-	-	-	-	-	-	-	160	-	9	15
80	-	Storz 75	•		200	-	368	328	-	-	-	-	160	-	9	15
80	-	Storz 75		•	200	-	348	308	-	-	-	-	160	150	9	15
80	-	Barcelona 70			200	-	-	-	-	-	-	-	160	-	9	15
80	-	Barcelona 70	•		200	-	-	-	-	-	-	-	160	-	9	15
80	-	Barcelona 70		•	200	-	-	-	-	-	-	-	160	150	9	15
Protection box of underground fire hydrant																
80	11209480	-	-	-	-	-	-	-	202	-	476	300	-	-	-	22

Option with automatic ball drain, add "P" to the underground fire hydrant
Also available in the option " w/ bend with foot DN 80" [for dimensions and more information see technical sheet 10.1004]

Underground fire hydrant DN 100

Reference and dimensions

DN	code	Water outlet	stem cap	handwheel	D1 mm	H mm	H1		h mm	h1 mm	A mm	B mm	C mm	Ø E mm	turns to open	Kg approx.
							open	close								
Hydrant with protective box																
100	11209460	Storz 110			220	376	-	-	202	117	560	346	214	-	10	47
100	11209460DAD	Storz 110	•		220	376	404	360	202	117	560	346	214	-	10	47
100	11209460VOL	Storz 110		•	220	376	387	343	202	117	560	346	214	200	10	47
100	-	Barcelona 70			220	376	-	-	202	117	560	346	214	-	10	47
100	11209440	Barcelona 70	•		220	376	404	360	202	117	560	346	214	-	10	47
100	-	Barcelona 70		•	220	376	387	343	202	117	560	346	214	200	10	47
Hydrant without protective box																
100	-	Storz 110			220	-	-	-	-	-	-	-	214	-	10	24
100	11209475	Storz 110	•		220	-	368	328	-	-	-	-	214	-	10	24
100	-	Storz 110		•	220	-	348	308	-	-	-	-	214	200	10	24
100	-	Barcelona 70			220	-	-	-	-	-	-	-	214	-	10	24
100	-	Barcelona 70	•		220	-	368	328	-	-	-	-	214	-	10	24
100	-	Barcelona 70		•	220	-	348	308	-	-	-	-	214	200	10	24
Protection box of underground fire hydrant																
100	11209490	-	-	-	-	-	-	-	202	-	560	346	-	-	-	23

Option with automatic ball drain, add "P" to the underground fire hydrant
Also available in the option " w/ bend with foot DN 80" [for dimensions and more information see technical sheet 10.1004]



Fucoli Somepal
FUNDIÇÃO DE FERRO, S.A.

Visit our website at www.fucoli-somepal.pt

Head office: Estrada de Coselhas, 3000-125 Coimbra – Portugal | Tel.: (+351) 239 490100 | Fax: (+351) 239 490198

Branch office: Rua de Aveiro 50, 3050-420 Pampilhosa – Portugal | Tel.: (+351) 239 490100 | Fax: (+351) 231 949292 | comercial@fucoli-somepal.pt



100% MADE IN EUROPE