

PURIFY STRAINER

Stainless steel AISI 304 mesh, cap and bolts A2
DN 40 - 300 PN10/16

04.601



Product description

- PURIFY strainer with stainless steel mesh for drinking water and neutral liquids
- Service temperature from 0°C (excluding frost) to 70°C

Standards

- Flange drilling to EN 1092-2 PN10/16
- Face-to-face according to EN 558 series 1

Tests

All valves are individually hydrostatically factory tested

- Seal 1.1 x PN (in bar); Body: 1.5 x PN (in bar)

Corrosion protection

- Epoxy powder coating RAL 5005
- Applied internal and external with a minimum coating thickness of 250 µm
- Potable water approved epoxy coating, fusion bonded according EN 14901 and GSK approved

Features

- It contains a stainless steel interior filter, which prevents the passage of solid elements, protecting pipelines and equipments
- Designed to be installed horizontally. Can also be installed in sloping ducts or vertically if the flow is downward
- The water flow direction must coincide with the arrow direction engraved on the strainer body.



100% MADE IN EUROPE



Fucoli Somepal
FUNDAÇÃO DE FERRO, S. A.

Visit our website at www.fucoli-somepal.pt

Head office: Estrada de Coselhas, 3000-125 Coimbra – Portugal | Tel.: (+351) 239 490100 | Fax: (+351) 239 490198

Branch office: Rua de Aveiro 50, 3050-420 Pampilhosa – Portugal | Tel.: (+351) 239 490100 | Fax: (+351) 231 949292 | comercial@fucoli-somepal.pt

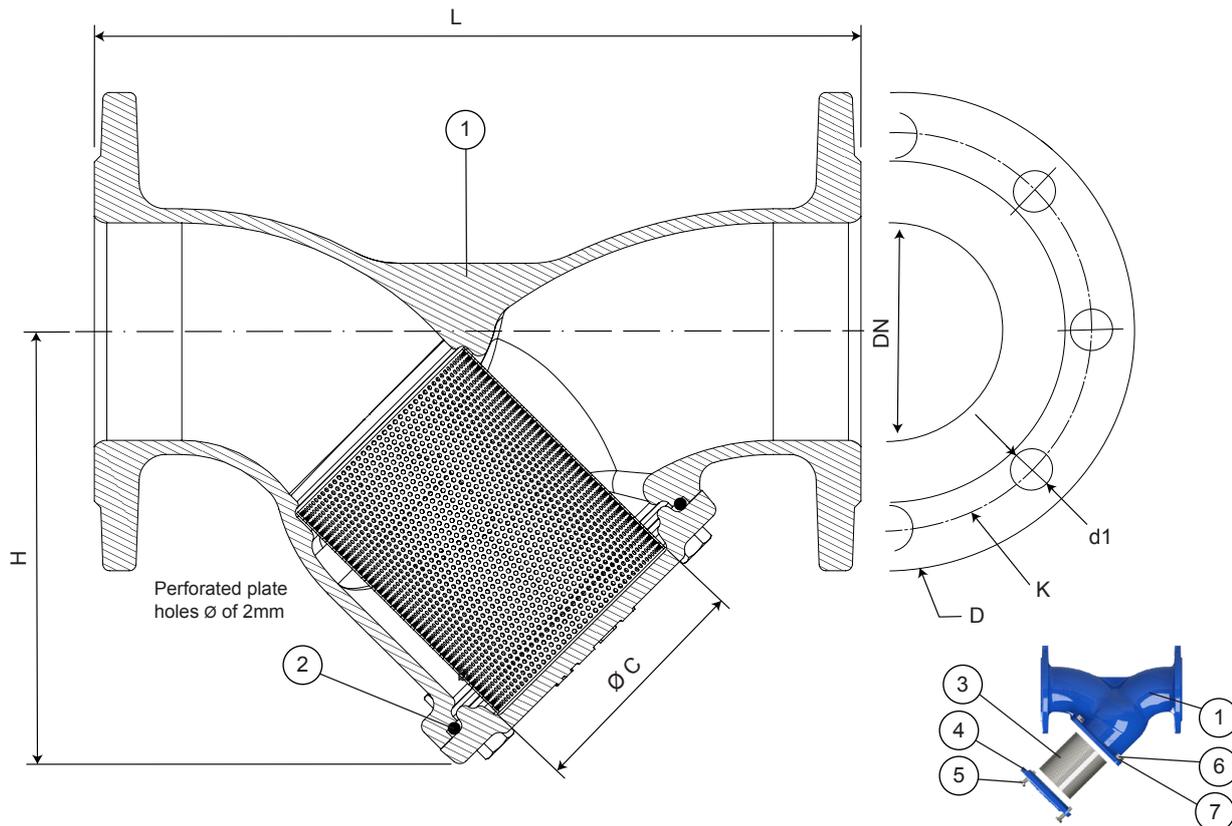
Ed.8 Rev. 0
09-2022

Being one of the main objectives of our company the development and satisfaction of our customers, we reserve the right to update, change or replace the specifications presented without prior notice.

PURIFY STRAINER

Stainless steel AISI 304 mesh, cap and bolts A2
DN 40 - 300 PN10/16

06.601



Component list

pos.	components	material	standard
1	Body	Ductile iron EN-GJS-500-7	EN 1563
2	Bonnet gasket	Elastomer EPDM	EN 681 - 1
3	Strainer	Stainless steel AISI 304	EN 10088 - 1
4	Bonnet	Ductile iron EN-GJS-500-7	EN 1563
5	Bolts	Stainless steel A2	EN 10088 - 1
6	Nuts	Stainless steel A2	EN 10088 - 1
7	Washers	Stainless steel A2	EN 10088 - 1

Reference and dimensions

DN	PN	code	D	L	H	K	n° x d1	b	Ø C	Kg
			mm	mm	mm	mm	mm	mm	mm	approx.
40	10/16	10790505	150	200	-	110	4 x 19	21	-	9
50	10/16	10790510	165	230	162	125	4 x 19	21	58	9
60	10/16	10790515	175	290	169	135	4 x 19	21	73	11
65	10/16	10790520	185	290	169	145	4 x 19	21	73	14
80	10/16	10790525	200	310	192	160	8 x 19	21	88	14
100	10/16	10790530	220	350	199	180	8 x 19	21	108	17
125	10/16	10790535	250	400	244	210	8 x 19	21	135	26
150	10/16	10790540	285	480	274	240	8 x 23	21	160	-
200	10	10790545	340	600	346	295	8 x 23	20	210	59
200	16	10790550	340	600	346	295	12 x 23	20	210	59
250	10	10790555	400	730	-	350	12 x 23	22	-	94
250	16	10790560	400	730	-	355	12 x 28	22	-	94
300	10	10790565	455	850	-	400	12 x 23	24.5	-	131
300	16	10790570	455	850	-	410	12 x 28	24.5	-	131



Fucoli Somepal
FUNDIÇÃO DE FERRO, S.A.

Visit our website at www.fucoli-somepal.pt

Head office: Estrada de Coselhas, 3000-125 Coimbra – Portugal | Tel.: (+351) 239 490100 | Fax: (+351) 239 490198

Branch office: Rua de Aveiro 50, 3050-420 Pampilhosa – Portugal | Tel.: (+351) 239 490100 | Fax: (+351) 231 949292 | comercial@fucoli-somepal.pt



100% MADE IN EUROPE