

KEY

Accessories for fire hydrants

07.500



Products description

- Key to open fire hydrant
- Available in 2 models:
 - A. Universal maneuver key, allows the firemen corporations operating all the SOMEPAL and CLASSIC fire hydrants
 - B. Key for inviolable blank caps.



Fucoli Somepal
FUNDAÇÃO DE FERRO, S. A.

Visit our website at www.fucoli-somepal.pt

Head office: Estrada de Coselhas, 3000-125 Coimbra – Portugal | Tel.: (+351) 239 490100 | Fax: (+351) 239 490198

Branch office: Rua de Aveiro 50, 3050-420 Pampilhosa – Portugal | Tel.: (+351) 239 490100 | Fax: (+351) 231 949292 | comercial@fucoli-somepal.pt

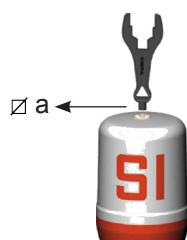
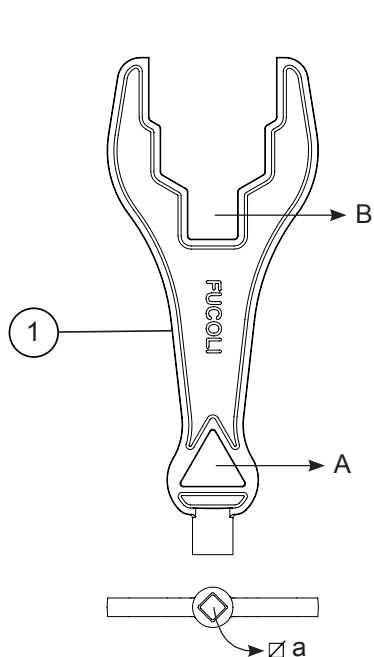


KEY Accessories for fire hydrants

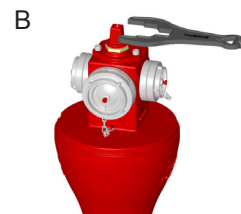
07.500



A . Universal maneuver key for SOMEPAL and CLASSIC fire hydrants



Remove the bonnet of the Somepal fire hydrant [ref. 07.100]



Opening and closing operation of the Somepal fire hydrant [ref. 07.100]



Open the anti-robbery caps of the Classic fire hydrant [ref. 07.200]



Opening and closing operation of the Classic fire hydrant [ref. 07.200]

Component list

pos.	components	material	standard
1	Key	Ductile iron EN-GJS-500-7	EN 1563

Reference and dimensions

code	designation	Ø a mm	Kg approx.
11212000	Replacement fuse kit (Somepal and Classic)	14	2

continued on next page

KEY

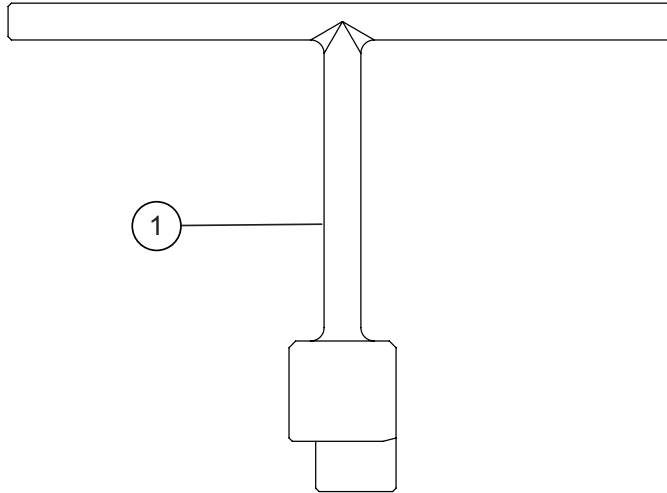
Accessories for fire hydrants

07.500



continued from previous page

B . Key for inviolable blank caps



Inviolable blank caps
of the Classic fire hydrant
[ref. 07.200]

Component list

pos.	components	material	standard
1	Key	Stainless steel	EN 10088 - 1

Reference and dimensions

code	designation	Kg approx.
11209065	Key for inviolable blank caps	1



Fucoli Somepal
FUNDIÇÃO DE FERRO, S.A.

Visit our website at www.fucoli-somepal.pt

Head office: Estrada de Coselhas, 3000-125 Coimbra – Portugal | Tel.: (+351) 239 490100 | Fax: (+351) 239 490198

Branch office: Rua de Aveiro 50, 3050-420 Pampilhosa – Portugal | Tel.: (+351) 239 490100 | Fax: (+351) 231 949292 | comercial@fucoli-somepal.pt

