

FLANGED SOFT SEALING GATE VALVE S14 3000

with gearbox

DN 40 - 500 PN10/16

01.102GK



Product description

- Flanged soft sealing gate valve series 3000 S14 with multi-turn gearbox, for drinking water and neutral liquids
- Service temperature from 0°C (excluding frost) to 70°C

Standards

- Designed according to EN 1074 part 1 & 2 and EN 1171
- Flange drilling to EN 1092-2 PN10/16
- Face-to-face according to EN 558 series 14
- ISO top flange according to ISO 5210
- Auma multi-turn gearbox according to ISO 22153

Tests

- All valves are individually hydrostatically tested according to EN 1074-1/2 and EN 12266-1:
- Seal: 1.1 x PN (in bar); Body: 1.5 x PN (in bar)

Corrosion protection

- Epoxy powder coating RAL 5005
- Applied internal and external with a minimum coating thickness of 250 µm
- Potable water approved epoxy coating, fusion bonded according to DIN 3476-1, EN 14901-1 and GSK approved

Approvals

- ACS Potability Certificate 26 ACC NY 096
- GSK Epoxy Coating Certificate GSK-ID:1247 (RAL-GZ 662)

Features

- Isolation valve approved for drinking water
- Full bore
- The valves from DN 250 to DN 300 are equipped with an axial bearing, from DN 350 to DN 500 are equipped with two thrust bearings to ensure reduced operating torque
- Stainless steel stem with rolled threads produced by cold rolling process, which keeps the steel structure and increase its mechanical resistance
- Stem sealing system with 4 O-rings in EPDM
- O-ring stem sealing exchangeable under pressure
- Wedge fully vulcanized with drinking water approved EPDM
- Top of the wedge conceived with “soft stop” system, which acts as an end stop for the fully open valve
- Wedge with brass nut fixed in the wedge core preventing vibration and ensure a long life span
- Wedge and body designed with “monorail” system
- Round EPDM bonnet gasket fixed in a recess, surrounding the bolts, ensuring a perfect seal
- Body/bonnet bolts in stainless steel A2 encased and sealed ensuring full corrosion protection
- Multi-turn Auma GK IP68 gearbox
- On request possibility of stem in stainless steel AISI 316L, NBR sealings and wedge nut in different brass alloys.



Fucoli-Somepal
FUNDAÇÃO DE FERRO, S.A.

Visit our website at www.fucoli-somepal.pt

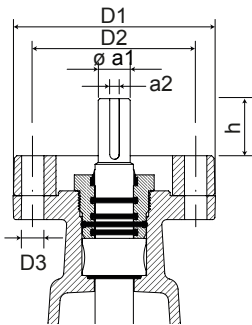
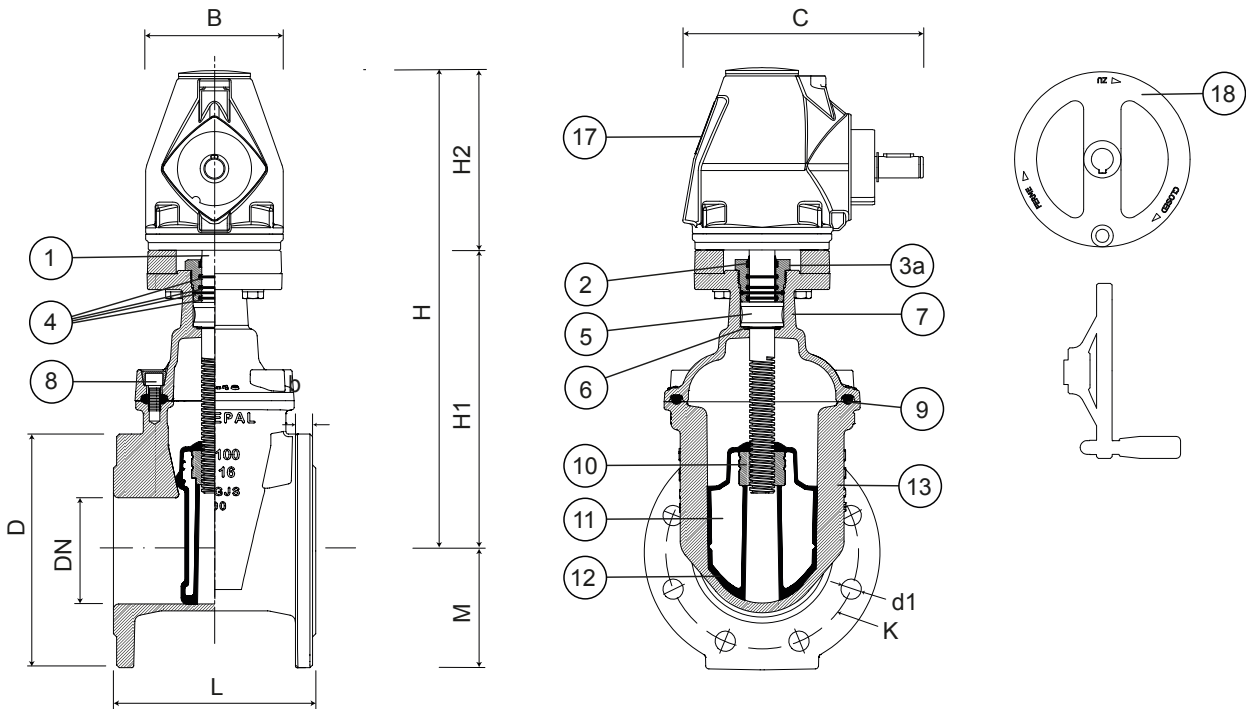
Head office: Estrada de Coselhas, 3000-125 Coimbra – Portugal | Tel.: (+351) 239 490100

Branch office: Rua de Aveiro 50, 3050-420 Pampilhosa – Portugal | Tel.: (+351) 239 490100 | comercial@fucoli-somepal.pt

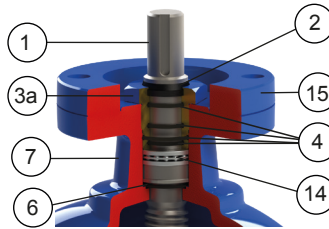
FLANGED SOFT SEALING GATE VALVE S14 3000

with gearbox
DN 40 - 500 PN10/16

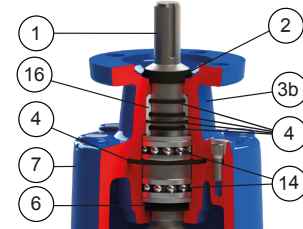
01.102GK



DN 40 up to DN 200



DN 250 up to DN 300



DN 350 up to DN 600

Component list

pos	components	material	standard	pos	components	material	standard
1	Stem	Stainless steel AISI 420	EN 10088-1	10	Wedge nut	Brass DZR CW602N	EN 12164
2	Clearing joint	Elastomer	-	11	Wedge	Ductile iron EN-GJS-500-7	EN 1563
3a	Gland	Brass DZR CW602N	EN 12164	12	Wedge covering	Elastomer EPDM	EN 681-1
3b	Gland	Ductile iron EN-GJS-500-7	EN 1563	13	Body	Ductile iron EN-GJS-500-7	EN 1563
4	O-rings	Elastomer EPDM	EN 681-1	14	Bearing	Steel	ISO 20516
5	Stem washer	Brass DZR CW602N	EN 12164	15	Mounting flange	Ductile iron EN-GJS-500-7	EN 1563
6	O-ring	Elastomer EPDM	EN 681-1	16	Gland bush	POM	-
7	Bonnet	Ductile iron EN-GJS-500-7	EN 1563	17	Multi-turn gearbox	-	-
8	Bolts	Stainless steel A2	EN 10088-1	18	Handwheel	Printed steel ST W24	EN 10111 and 10130
9	Bonnet gasket	Elastomer EPDM	EN 681-1				

FLANGED SOFT SEALING GATE VALVE S14 3000

with gearbox

DN 40 - 500 PN10/16

01.102GK



continued from previous page

Reference and dimensions

DN	PN	code	D mm	L mm	H mm	H1 mm	M mm	K mm	n° x d1 mm	b mm	ISO 5210 flange	AUMA gearbox	h mm	B mm	C mm	H2 mm	Kg aprox.
40	10/16	10727500GK	150	140	347	177	75	110	4 x 19	19	F10	GK 10.2	30	130	215	170	19
50	10/16	10727510GK	165	150	378	208	82,5	125	4 x 19	19	F10	GK 10.2	30	130	215	170	21
60	10/16	10727520GK	175	170	387	216	92,5	135	4 x 19	19	F10	GK 10.2	33	130	215	170	23
65	10/16	10727530GK	185	170	387	216	92,5	145	4 x 19	19	F10	GK 10.2	33	130	215	170	27
80	10/16	10727540GK	200	180	425	253,5	100	160	8 x 19	19	F10	GK 10.2	33	130	215	170	28
100	10/16	10727550GK	220	190	456	283	110	180	8 x 19	19	F10	GK 10.2	39	130	215	170	32
125	10/16	10727560GK	250	200	493	324	125	210	8 x 19	19	F10	GK 10.2	39	130	215	170	37
150	10/16	10727570GK	285	210	554	382,8	142,5	240	8 x 23	19	F10	GK 10.2	41	130	215	170	45
200	10	10727580GK	340	230	629	455	170	295	8 x 23	20	F10	GK 10.2	46	130	215	170	62
200	16	10727585GK	340	230	629	455	170	295	12 x 23	20	F10	GK 10.2	46	130	215	170	62
250	10	10727590GK	400	250	733	542,4	200	350	12 x 23	22	F14	GK 14.2	50	180	265/285	188	92
250	16	10727595GK	400	250	733	542,4	200	355	12 x 28	22	F14	GK 14.2	50	180	265/285	188	92
300	10	10727600GK	455	270	808	615	227,5	400	12 x 23	24,5	F14	GK 14.2	50	180	265/285	188	122
300	16	10727605GK	455	270	808	615	227,5	410	12 x 28	24,5	F14	GK 14.2	50	180	265/285	188	125
350	10	10727610GK	505	290	1063	876	257,5	460	16 x 23	24,5	F14	GK 14.6	65	180	265/285	188	235
350	16	10727615GK	520	290	1063	876	257,5	470	16 x 28	26,5	F14	GK 14.6	65	180	265/285	188	239
400	10	10727620GK	565	310	1063	876	289,9	515	16 x 28	24,5	F14	GK 14.6	65	180	265/285	188	253
400	16	10727625GK	580	310	1063	876	289,9	525	16 x 31	28	F14	GK 14.6	65	180	265/285	188	259
450	10	10727630GK	615	330	1243	1051	324,9	565	20 x 28	25,5	F14	GK 14.6	65	180	105/123	188	403
450	16	10727635GK	640	330	1243	1051	324,9	585	20 x 31	30	F14	GK 14.6	65	180	105/123	188	411
500	10	10727640GK	670	350	1243	1051	337	620	20 x 28	26,5	F14	GK 14.6	65	180	105/123	188	427
500	16	10727645GK	715	350	1243	1051	337	650	20 x 34	31,5	F14	GK 14.6	65	180	105/123	188	444
600	10	10727650GK	780	800	1370	1206,5	421,5	725	20 x 31	30	F16	GK 16.2	80	230	344	202	-
600	16	10727655GK	840	800	1370	1206,5	421,5	770	20 x 37	36	F16	GK 16.2	80	230	344	202	-

AUMA gearbox	ISO 5210 flange	B mm	C mm	D1 mm	D2 mm	n° x D3 mm	ø a1 mm	ø a2 mm	ø handwheel
GK 10.2	F10	130	215	125	102	4 x 12	20	6	200 315
GK 14.2	F14	180	265/285	150	175	4 x 18	30	8	200 315
GK 14.6	F14	180	105/123	150	175	4 x 18	30	8	315 400
GK 16.2	F16	230	344	210	387	4 x 22	40	12	315 400 500

For more information on the Auma multi-turn gearbox consult the manufacturer's technical documentation.