

# FLANGE ADAPTOR WITH TENSILE RING FOR UPVC/PE DN 50 - 500 PN25

09.201



## Product description

- Flange adaptor with tensile ring for uPVC/PE pipes for drinking water and neutral liquids
- Service temperature from 0°C (excluding frost) to 70°C

## Standards

- Designed according to EN 12842
- Flange drilling to EN 1092-2 (ISO 7005-2) PN 10/16/25

## Corrosion protection

- Epoxy powder coating RAL 5005
- Applied internal and external with a minimum coating thickness of 250 µm
- Potable water approved epoxy coating fusion bonded according EN 14901 and GSK (RAL-GZ662) guidelines

## Features

- Flange adaptor for drinking water
- Body in ductile cast iron (EN-GJS-500-7)
- Sealing ring with drinking water approved EPDM
- Simple and fast instalation
- Flanged fitting connecting any flanged component with a PE or UPVC pipe
- Allow a maximum deflection angles 3.5°
- The insert [ref. 15.400] must be used in PE pipes to avoid deformation of the pipe
- Tensile ring for pipe blockage
- Maximum working pressure 16 bar, the max. pressure of service according to pipe standard
- Accessories: kit flange in steel zinc plated [ref. 15.500] or kit flange in stainless steel [ref. 15.510]
- On request possibility of sealing ring in NBR.



**Fucoli Somepal**  
FUNDAÇÃO DE FERRO, S. A.

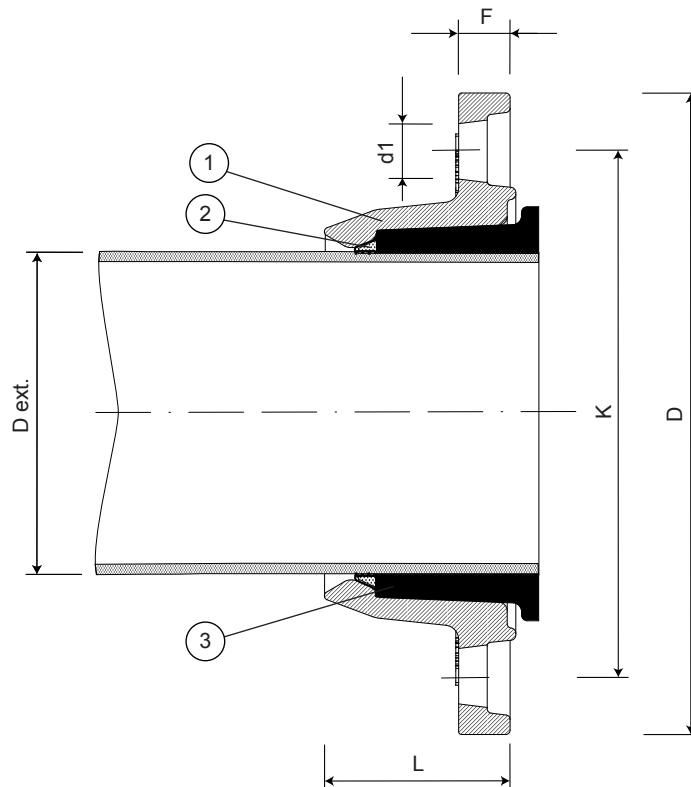
Visit our website at [www.fucoli-somepal.pt](http://www.fucoli-somepal.pt)

**Head office:** Estrada de Coselhas, 3000-125 Coimbra – Portugal | Tel.: (+351) 239 490100 | Fax: (+351) 239 490198

**Branch office:** Rua de Aveiro 50, 3050-420 Pampilhosa – Portugal | Tel.: (+351) 239 490100 | Fax: (+351) 231 949292 | [comercial@fucoli-somepal.pt](mailto:comercial@fucoli-somepal.pt)

# FLANGE ADAPTOR WITH TENSILE RING FOR UPVC/PE DN 50 - 500 PN25

09.201



## Component list

pos.	components	material	standard
1	Flange	Ductile iron EN-GJS-500-7	EN 1563
2	Tensile ring	Brass	EN 1982
3	Sealing ring	Elastomer EPDM	EN 681 - 1

## Reference and dimensions

DN	D ext. uPVC/PE	PN	code	D mm	L mm	F mm	K mm	n° x d1 mm	Kg approx.
50	63	25	10134000	165	53	20	125	4 x 19	3
60/65	63	25	10134010	185	53	20	135/145	8 x 19	3
60/65	75	25	10134015	185	57	20	135/145	4 x 19	3
80	90	25	10134020	200	61	20	160	8 x 19	5
100	90	25	10134025	235	61	20	190	8 x 23	5
100	110	25	10134030	235	67	20	190	8 x 23	5
125	125	25	10134035	270	70	21	220	8 x 28	6
125	140	25	10134040	270	70	21	220	8 x 28	8
150	160	25	10134045	300	79	22	250	8 x 28	11
200	200	25	10134050	360	91	23	310	12 x 28	10
200	225	25	10134055	360	91	23	310	12 x 28	17
250	250	25	10134060	425	106	25	370	12 x 31	14
250	280	25	10134065	425	106	25	370	12 x 31	22
300	315	25	10134070	485	110	28	430	16 x 28	36
400	400	25	10134075	620	133	32	550	16 x 37	50
500	500	25	10134090	730	140	37	660	20 x 37	50



**Fucoli Somepal**  
FUNDAÇÃO DE FERRO, S.A.

Visit our website at [www.fucoli-somepal.pt](http://www.fucoli-somepal.pt)

Head office: Estrada de Coselhas, 3000-125 Coimbra – Portugal | Tel.: (+351) 239 490100 | Fax: (+351) 239 490198

Branch office: Rua de Aveiro 50, 3050-420 Pampilhosa – Portugal | Tel.: (+351) 239 490100 | Fax: (+351) 231 949292 | [comercial@fucoli-somepal.pt](mailto:comercial@fucoli-somepal.pt)

