

FLANGED METAL SEATED GATE VALVE S15 with handwheel DN 40 - 700 PN10/16/25/40

04.500



Product description

- Flanged metal sealing gate valve for drinking water and neutral liquids
- Service temperature from 0°C (excluding frost) to 70°C

Standards

- Designed according to EN 1074 part 1 & 2 and EN 1171
- Flange drilling to EN 1092-2 PN10/16/25/40
- Face-to-face according to EN 558 series 15

Tests

All valves are individually hydrostatically tested according to EN 1074-1/2 and EN 12266:

- Seal 1.1 x PN (in bar); Body: 1.5 x PN (in bar). Operation torque test

Corrosion protection

- Epoxy powder coating RAL 5005
- Applied internal and external with a minimum coating thickness of 250 µm
- Fusion bonded epoxy coating according DIN 3476-1, EN 14901-1 and GSK (RAL-GZ662) guidelines

Features

- Isolation valve and regulates the flow
- Full bore
- Robust conception, with inside stem and handwheel
- Stainless steel stem with rolled threads produced by cold rolling process, which keeps the steel structure and increase its mechanical resistance
- Body and wedge seat in bronze seated firmly and machined to obtain a perfect surface finish, ensuring a perfect seal
- Wedge with guides that provides a stable maneuver
- Stem sealing system with 2 O-rings in EPDM, with adjustable gland box
- On request possibility of stem and seats in stainless steel AISI 316L and by-passe;



Fucoli-Somepal
FUNDAÇÃO DE FERRO, S.A.

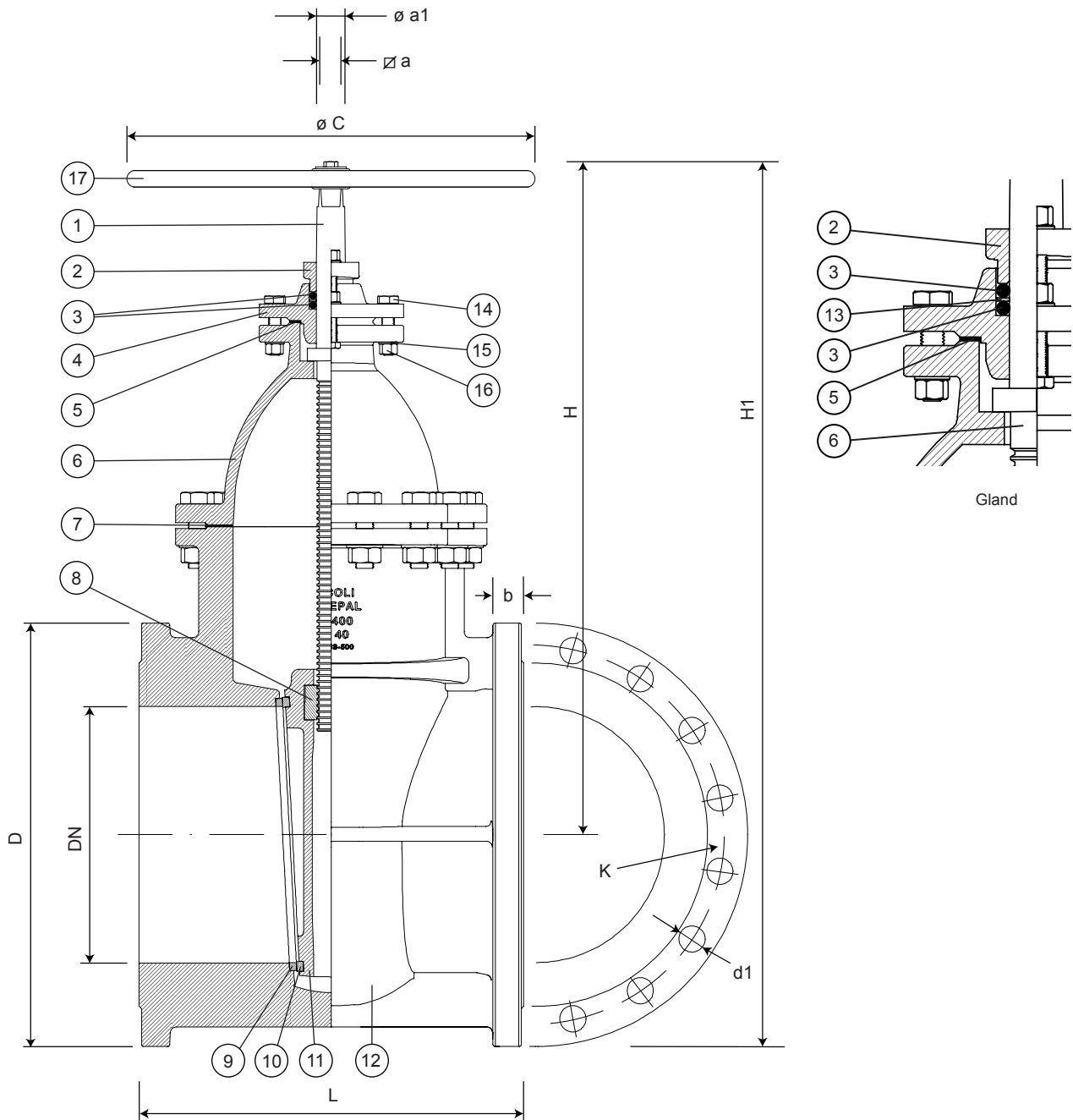
Visit our website at www.fucoli-somepal.pt

Head office: Estrada de Coselhas, 3000-125 Coimbra – Portugal | Tel.: (+351) 239 490100 | Fax: (+351) 239 490198

Branch office: Rua de Aveiro 50, 3050-420 Pampilhosa – Portugal | Tel.: (+351) 239 490100 | Fax: (+351) 231 949292 | comercial@fucoli-somepal.pt

FLANGED METAL SEATED GATE VALVE S15
with handwheel
DN 40 - 700 PN10/16/25/40

04.500



Component list

| pos. | components | material | standard |
|------|----------------|------------------------------|--------------|
| 1 | Stem | Stainless steel AISI 420 | EN 10088 - 1 |
| 2 | Gland | Ductile iron EN-GJS-500-7 | EN 1563 |
| 3 | O-ring | Elastomer EPDM | EN 681 - 1 |
| 4 | Gland box | Ductile iron EN-GJS-500-7 | EN 1563 |
| 5 | Sealing washer | Cardboard gasket | BS 7531 |
| 6 | Bonnet | Ductile iron EN-GJS-500-7 | EN 1563 |
| 7 | Bonnet gasket | Cardboard gasket | BS 7531 |
| 8 | Wedge nut | Bronze | EN 1982 |
| 9 | Body seat | Bronze | EN 1982 |

| pos. | components | material | standard |
|------|----------------------------|------------------------------|---------------|
| 10 | Wedge seat | Bronze | EN 1982 |
| 11 | Wedge | Ductile iron EN-GJS-500-7 | EN 1563 |
| 12 | Body | Ductile iron EN-GJS-500-7 | EN 1563 |
| 13 | Separating washer | Stainless steel AISI 420 | EN 10088 - 1 |
| 14 | Bolts | Steel zinc plated cl 8.8 | ISO 898 - 1 |
| 15 | Washers | Steel zinc plated | ISO 898 - 2 |
| 16 | Nuts | Steel zinc plated cl 8.8 | ISO 898 - 2 |
| 17a | Handwheel (\leq DN 200) | Printed stell ST W24 | DIN 10305 - 3 |
| 17b | Handwheel ($>$ DN200) | Ductile iron EN-GJS-500-7 | EN 1563 |

continued on next page

FLANGED SOFT SEALING GATE VALVE S15
with handwheel
DN 40 - 700 PN10/16/25/40

04.500



continued from previous page

Reference and dimensions

| DN | PN | code | D mm | L mm | H mm | H1 mm | K mm | n° x d1 mm | b mm | ∅ a mm | ∅ a1 mm | ∅ C mm | turns to open | Kg approx. |
|-----|-------|----------|---------|---------|---------|----------|---------|---------------|---------|-----------|------------|-----------|------------------|---------------|
| 40 | 10/16 | 10720175 | 150 | 240 | 295 | 370 | 110 | 4 x 19 | 19 | 14.1 | 20 | 150 | 10 | 20 |
| 40 | 25 | 10720200 | 150 | 240 | 295 | 370 | 110 | 4 x 19 | 19 | 14.1 | 20 | 150 | 10 | 20 |
| 40 | 40 | 10720201 | 150 | 240 | 295 | 370 | 110 | 4 x 19 | 19 | 14.1 | 20 | 150 | 10 | 20 |
| 50 | 10/16 | 10720176 | 165 | 250 | 295 | 378 | 125 | 4 x 19 | 19 | 14.1 | 24 | 150 | 13 | 23 |
| 50 | 25 | 10720202 | 165 | 250 | 295 | 378 | 125 | 4 x 19 | 19 | 14.1 | 24 | 150 | 13 | 23 |
| 50 | 40 | 10720203 | 165 | 250 | 295 | 378 | 125 | 4 x 19 | 19 | 14.1 | 24 | 150 | 13 | 23 |
| 60 | 10/16 | 10720177 | 175 | 270 | 365 | 453 | 135 | 4 x 19 | 19 | 19.1 | 24 | 250 | 13 | 30 |
| 60 | 25 | 10720204 | 175 | 270 | 365 | 453 | 135 | 8 x 19 | 19 | 19.1 | 24 | 250 | 13 | 30 |
| 60 | 40 | 10720205 | 175 | 270 | 365 | 453 | 135 | 8 x 19 | 19 | 19.1 | 24 | 250 | 13 | 30 |
| 65 | 10/16 | 10720178 | 185 | 270 | 365 | 458 | 145 | 4 x 19 | 19 | 19.1 | 24 | 250 | 13 | 31 |
| 65 | 25 | 10720206 | 185 | 270 | 365 | 458 | 145 | 8 x 19 | 19 | 19.1 | 24 | 250 | 13 | 31 |
| 65 | 40 | 10720207 | 185 | 270 | 365 | 458 | 145 | 8 x 19 | 19 | 19.1 | 24 | 250 | 13 | 31 |
| 80 | 10/16 | 10720179 | 200 | 280 | 385 | 485 | 160 | 8 x 19 | 19 | 19.1 | 24 | 300 | 16 | 37 |
| 80 | 25 | 10720208 | 200 | 280 | 385 | 485 | 160 | 8 x 19 | 19 | 19.1 | 24 | 300 | 16 | 37 |
| 80 | 40 | 10720209 | 200 | 280 | 385 | 485 | 160 | 8 x 19 | 19 | 19.1 | 24 | 300 | 16 | 37 |
| 100 | 10/16 | 10720180 | 220 | 300 | 420 | 530 | 180 | 8 x 19 | 19 | 19.1 | 26 | 300 | 20 | 45 |
| 100 | 25 | 10720210 | 235 | 300 | 420 | 538 | 190 | 8 x 23 | 19 | 19.1 | 26 | 300 | 20 | 45 |
| 100 | 40 | 10720211 | 235 | 300 | 420 | 538 | 190 | 8 x 23 | 19 | 19.1 | 26 | 300 | 20 | 45 |
| 125 | 10/16 | 10720181 | 250 | 325 | 500 | 625 | 210 | 8 x 19 | 19 | 19.1 | 28 | 300 | 25 | 66 |
| 125 | 25 | 10720212 | 270 | 325 | 500 | 635 | 220 | 8 x 28 | 19 | 19.1 | 28 | 300 | 25 | 66 |
| 125 | 40 | 10720213 | 270 | 325 | 500 | 635 | 220 | 8 x 28 | 23.5 | 19.1 | 28 | 300 | 25 | 66 |
| 150 | 10/16 | 10720182 | 285 | 350 | 540 | 683 | 240 | 8 x 23 | 19 | 19.1 | 28 | 300 | 30 | 90 |
| 150 | 25 | 10720214 | 300 | 350 | 540 | 690 | 250 | 8 x 28 | 20 | 19.1 | 28 | 300 | 30 | 90 |
| 150 | 40 | 10720215 | 300 | 350 | 540 | 690 | 250 | 8 x 28 | 26 | 19.1 | 28 | 300 | 30 | 90 |
| 200 | 10 | 10720318 | 340 | 400 | 650 | 820 | 295 | 8 x 23 | 20 | 24.1 | 32 | 400 | 34 | 134 |
| 200 | 16 | 10720198 | 340 | 400 | 650 | 820 | 295 | 12 x 23 | 20 | 24.1 | 32 | 400 | 34 | 139 |
| 200 | 25 | 10720218 | 360 | 400 | 650 | 830 | 310 | 12 x 28 | 22 | 24.1 | 32 | 400 | 34 | 134 |
| 200 | 40 | 10720284 | 375 | 400 | 650 | 838 | 320 | 12 x 31 | 30 | 24.1 | 32 | 400 | 34 | 134 |
| 250 | 10 | 10720320 | 400 | 450 | 785 | 985 | 350 | 12 x 23 | 22 | 27.1 | 36 | 500 | 42 | 203 |
| 250 | 16 | 10720199 | 400 | 450 | 785 | 985 | 355 | 12 x 28 | 22 | 27.1 | 36 | 500 | 42 | 250 |
| 250 | 25 | 10720220 | 425 | 450 | 785 | 998 | 370 | 12 x 31 | 24.5 | 27.1 | 36 | 500 | 42 | 203 |
| 250 | 40 | 10720285 | 450 | 450 | 785 | 1010 | 385 | 12 x 34 | 34 | 27.1 | 36 | 500 | 42 | 203 |
| 300 | 10 | 10720183 | 455 | 500 | 850 | 1078 | 400 | 12 x 23 | 24.5 | 27.1 | 36 | 500 | 50 | 256 |
| 300 | 16 | 10720186 | 455 | 500 | 850 | 1078 | 410 | 12 x 28 | 24.5 | 27.1 | 36 | 500 | 50 | 256 |
| 300 | 25 | 10720222 | 485 | 500 | 850 | 1093 | 430 | 16 x 31 | 27.5 | 27.1 | 36 | 500 | 50 | 256 |
| 300 | 40 | 10720286 | 515 | 500 | 850 | 1108 | 450 | 16 x 34 | 39.5 | 27.1 | 36 | 500 | 50 | 282 |
| 350 | 10 | 10720196 | 505 | 550 | 970 | 1223 | 460 | 16 x 23 | 24.5 | 27.1 | 40 | 600 | 50 | 397 |
| 350 | 16 | 10720187 | 520 | 550 | 970 | 1230 | 470 | 16 x 28 | 26.5 | 27.1 | 40 | 600 | 50 | 397 |
| 350 | 25 | 10720224 | 555 | 550 | 970 | 1248 | 490 | 16 x 34 | 30 | 27.1 | 40 | 600 | 50 | 397 |
| 350 | 40 | 10720302 | 580 | 550 | 970 | 1260 | 510 | 16 x 37 | 44 | 27.1 | 40 | 600 | 50 | 464 |
| 400 | 10 | 10720326 | 565 | 600 | 1130 | 1412 | 515 | 16 x 28 | 24.5 | 32.1 | 45 | 800 | 50 | 525 |
| 400 | 16 | 10720188 | 580 | 600 | 1130 | 1420 | 525 | 16 x 31 | 28 | 32.1 | 45 | 800 | 50 | 525 |
| 400 | 25 | 10720226 | 620 | 600 | 1130 | 1440 | 550 | 16 x 37 | 32 | 32.1 | 45 | 800 | 50 | 525 |
| 400 | 40 | 10720304 | 660 | 600 | 1130 | 1460 | 585 | 16 x 41 | 48 | 32.1 | 45 | 800 | 50 | 650 |
| 450 | 10 | 10720328 | 615 | 650 | 1160 | 1468 | 565 | 20 x 28 | 25.5 | 32.1 | 45 | 800 | 57 | - |
| 450 | 16 | 10720189 | 640 | 650 | 1160 | 1480 | 585 | 20 x 31 | 30 | 32.1 | 45 | 800 | 57 | - |
| 450 | 25 | 10720228 | 670 | 650 | 1160 | 1485 | 600 | 20 x 37 | 34.5 | 32.1 | 45 | 800 | 57 | - |
| 450 | 40 | 10720306 | 685 | 650 | 1160 | 1503 | 610 | 20 x 41 | 49 | 32.1 | 45 | 800 | 57 | - |

continued on next page

FLANGED METAL SEATED GATE VALVE S15

with handwheel

DN 40 - 700 PN10/16/25/40

04.500



continued from previous page

Reference and dimensions

| DN | PN | code | D mm | L mm | H mm | H1 mm | K mm | n° x d1 mm | b mm | ∅ a mm | ∅ a1 mm | ∅ C mm | turns to open | Kg approx. |
|-----|----|----------|---------|---------|---------|----------|---------|---------------|---------|-----------|------------|-----------|------------------|---------------|
| 500 | 10 | 10720333 | 670 | 700 | 1240 | 1575 | 620 | 20 x 28 | 26.5 | 32.1 | 50 | 800 | 50 | 897 |
| 500 | 16 | 10720335 | 715 | 700 | 1240 | 1598 | 650 | 20 x 34 | 31.5 | 32.1 | 50 | 800 | 50 | 897 |
| 500 | 25 | 10720230 | 730 | 700 | 1240 | 1605 | 660 | 20 x 37 | 36.5 | 32.1 | 50 | 800 | 50 | 897 |
| 500 | 40 | 10720308 | 755 | 700 | 1240 | 1618 | 670 | 20 x 44 | 52 | 32.1 | 50 | 800 | 50 | 1025 |
| 600 | 10 | 10720337 | 780 | 800 | 1420 | 1810 | 725 | 20 x 31 | 30 | 41.1 | 55 | 1200 | 60 | 1309 |
| 600 | 16 | 10720191 | 840 | 800 | 1420 | 1840 | 770 | 20 x 37 | 36 | 41.1 | 55 | 1200 | 60 | 1309 |
| 600 | 25 | 10720232 | 845 | 800 | 1420 | 1843 | 770 | 20 x 41 | 42 | 41.1 | 55 | 1200 | 60 | 1309 |
| 600 | 40 | 10720310 | 890 | 800 | 1420 | 1865 | 795 | 20 x 50 | 58 | 41.1 | 55 | 1200 | 60 | 1455 |
| 700 | 10 | 10720339 | 895 | 900 | 1610 | 2058 | 840 | 24 x 31 | 32.5 | 41.1 | 55 | 1200 | 78 | 1680 |
| 700 | 16 | 10720192 | 910 | 900 | 1610 | 2065 | 840 | 24 x 37 | 39.5 | 41.1 | 55 | 1200 | 78 | 1680 |
| 700 | 25 | 10720234 | 960 | 900 | 1610 | 2090 | 875 | 24 x 44 | 46.5 | 41.1 | 55 | 1200 | 78 | 1680 |



Fucoli-Somepal
FUNDIÇÃO DE FERRO, S. R.

Visit our website at www.fucoli-somepal.pt

Head office: Estrada de Coselhas, 3000-125 Coimbra – Portugal | Tel.: (+351) 239 490100 | Fax: (+351) 239 490198

Branch office: Rua de Aveiro 50, 3050-420 Pampilhosa – Portugal | Tel.: (+351) 239 490100 | Fax: (+351) 231 949292 | comercial@fucoli-somepal.pt

