

FLANGED SOFT SEALING GATE VALVE S14 3000

with open/close indicator
DN 40 - 500 PN10/16

01.600



Product description

- Flanged soft sealing gate valve series 3000 with open/close indicator for drinking water and neutral liquids
- Service temperature from 0°C (excluding frost) to 70°C

Standards

- Designed according to EN 1074 part 1 & 2 and EN 1171
- Flange drilling to EN 1092-2 PN10/16
- Face-to-face according to EN 558 series 14

Tests

All valves are individually hydrostatically tested according to EN 1074-1/2 and EN 12266:

- Seal 1.1 x PN (in bar); Body: 1.5 x PN (in bar). Operation torque test

Corrosion protection

- Epoxy powder coating RAL 5005
- Applied internal and external with a minimum coating thickness of 250 µm
- Potable water approved epoxy coating, fusion bonded according DIN 3476-1, EN 14901 and GSK approved

Approvals

- ACS Potability Certificate 15 ACC NY 005
- GSK Certificate GSK-ID:1247 (RAL-GZ 662)

Features

- Isolation valve approved for drinking water
- Full bore
- Low operating torque
- The valves from DN 250 to DN 300 are equipped with an axial bearing, from DN 350 to DN 500 are equipped with two thrust bearings to ensure reduced operating torque
- Stainless steel stem with rolled threads produced by cold rolling process, which keeps the steel structure and increase its mechanical resistance
- Stem sealing system with 4 O-rings in EPDM
- O-ring stem sealing exchangeable under pressure
- Wedge fully vulcanized with drinking water approved EPDM
- Top of the wedge conceived with "soft stop" system, which acts as an end stop for the fully open valve
- Wedge with brass nut fixed in the wedge core preventing vibration and ensure a long life span
- Wedge and body designed with "monorail" system
- Round EPDM bonnet gasket fixed in a recess, surrounding the bolts, ensuring a perfect seal
- Body/bonnet bolts in stainless steel A2 encased and sealed ensuring full corrosion protection
- Position indicator for visual display of gate position
- On request possibility of stem in stainless steel AISI 316L, NBR sealings and wedge nut in different brass grades.



Fucoli Somepal
FUNDAÇÃO DE FERRO, S. A.

Visit our website at www.fucoli-somepal.pt

Head office: Estrada de Coselhas, 3000-125 Coimbra – Portugal | Tel.: (+351) 239 490100 | Fax: (+351) 239 490198

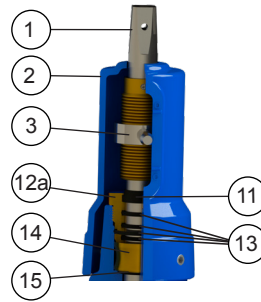
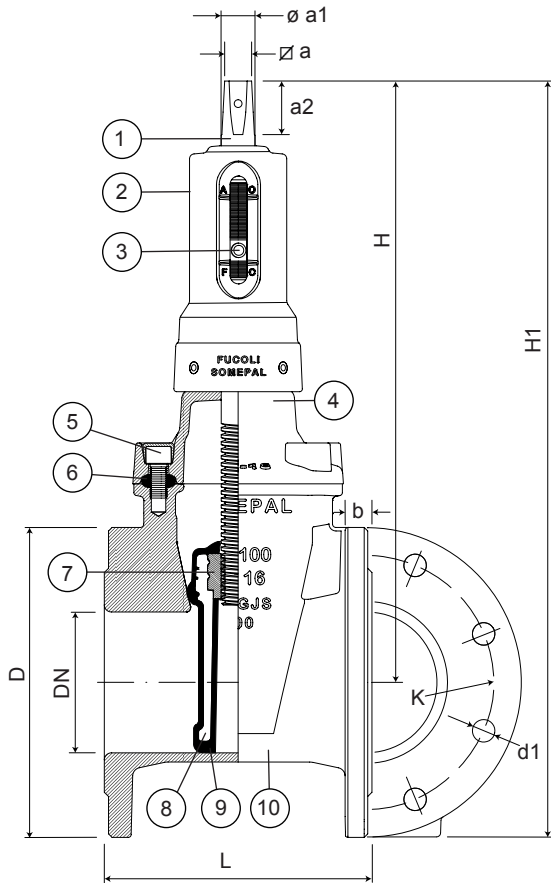
Branch office: Rua de Aveiro 50, 3050-420 Pampilhosa – Portugal | Tel.: (+351) 239 490100 | Fax: (+351) 231 949292 | comercial@fucoli-somepal.pt

FLANGED SOFT SEALING GATE VALVE S14 3000

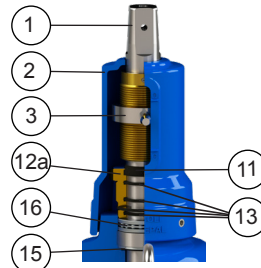
with open/close indicator

DN 40 - 500 PN10/16

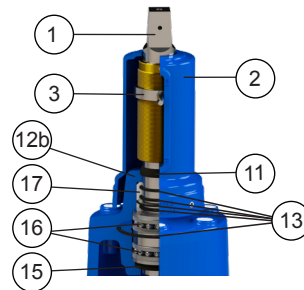
01.600



DN 40 up to DN 200



DN 250 up to DN 300



DN 350 up to DN 500

Component list

| pos. | components | material | standard |
|------|----------------------|------------------------------|--------------|
| 1 | Stem | Stainless steel AISI 420 | EN 10088 - 1 |
| 2 | Coupling | Ductile iron EN-GJS-500-7 | EN 1563 |
| 3 | Open-close indicated | Stainless steel AISI 420 | EN 10088 - 1 |
| 4 | Bonnet | Ductile iron EN-GJS-500-7 | EN 1563 |
| 5 | Bolts | Stainless steel A2 | EN 10088 - 1 |
| 6 | Bonnet gasket | Elastomer EPDM | EN 681 -1 |
| 7 | Wedge nut | Brass CW603N | EN 12164 |
| 8 | Wedge | Ductile iron EN-GJS-500-7 | EN 1563 |
| 9 | Wedge covering | Elastomer EPDM | EN 681 -1 |

| pos. | components | material | standard |
|------|----------------|------------------------------|------------|
| 10 | Body | Ductile iron EN-GJS-500-7 | EN 1563 |
| 11 | Clearing joint | Elastomer | |
| 12a | Gland | Brass CW614N | EN 12164 |
| 12b | Gland | Ductile iron EN-GJS-500-7 | EN 1563 |
| 13 | O-rings | Elastomer EPDM | EN 681 - 1 |
| 14 | Stem washer | Brass CW603N | EN 12164 |
| 15 | O-ring | Elastomer EPDM | EN 681 - 1 |
| 16 | Bearing | Steel | ISO 20516 |
| 17 | Gland bush | POM | |

Reference and dimensions

| DN | PN | code | D | L | H | H1 | K | n° x d1 | b | $\varnothing a$ | $\varnothing a1$ | a2 | turns to open | Kg approx. |
|-----|-------|----------|-----|-----|-----|-----|-----|---------|----|-----------------|------------------|----|---------------|------------|
| | | | mm | mm | mm | mm | mm | mm | mm | mm | mm | mm | | |
| 40 | 10/16 | 10724500 | 150 | 140 | 298 | 373 | 110 | 4 x 19 | 19 | 14.1 | 20 | 29 | 10 | 11 |
| 50 | 10/16 | 10724510 | 165 | 150 | 327 | 410 | 125 | 4 x 19 | 19 | 14.1 | 20 | 29 | 13 | 12 |
| 60 | 10/16 | 10724520 | 175 | 170 | 341 | 434 | 135 | 4 x 19 | 19 | 17.1 | 22 | 34 | 13 | 14 |
| 65 | 10/16 | 10724530 | 185 | 170 | 341 | 434 | 145 | 4 x 19 | 19 | 17.1 | 22 | 34 | 13 | 14 |
| 80 | 10/16 | 10724540 | 200 | 180 | 361 | 462 | 160 | 8 x 19 | 19 | 17.1 | 22 | 34 | 16 | 19 |
| 100 | 10/16 | 10724550 | 220 | 190 | 427 | 537 | 180 | 8 x 19 | 19 | 19.1 | 24 | 38 | 20 | 22 |
| 125 | 10/16 | 10724560 | 250 | 200 | 469 | 594 | 210 | 8 x 19 | 19 | 19.1 | 26 | 38 | 25 | 27 |
| 150 | 10/16 | 10724570 | 285 | 210 | 538 | 681 | 240 | 8 x 23 | 19 | 19.1 | 28 | 38 | 30 | 35 |
| 200 | 10 | 10724580 | 340 | 230 | 616 | 786 | 295 | 8 x 23 | 20 | 24.1 | 32 | 42 | 34 | 53 |
| 200 | 16 | 10724585 | 340 | 230 | 616 | 786 | 295 | 12 x 23 | 20 | 24.1 | 32 | 42 | 34 | 53 |
| 250 | 10 | 10724590 | 400 | 250 | 702 | 902 | 350 | 12 x 23 | 22 | 27.1 | 36 | 47 | 42 | 75 |
| 250 | 16 | 10724595 | 400 | 250 | 702 | 902 | 355 | 12 x 28 | 22 | 27.1 | 36 | 47 | 42 | 75 |

continued on next page

FLANGED SOFT SEALING GATE VALVE S14 3000
with open/close indicator
DN 40 - 500 PN10/16

01.600



continued from previous page

| DN | PN | code | D mm | L mm | H mm | H1 mm | K mm | n° x d1 mm | b mm | ∅a mm | ∅ a1 mm | a2 mm | turns to open | Kg approx. |
|-----|----|----------|---------|---------|---------|----------|---------|---------------|---------|----------|------------|----------|------------------|---------------|
| 300 | 10 | 10724600 | 455 | 270 | 774 | 1016 | 400 | 12 x 23 | 24.5 | 27.1 | 36 | 47 | 50 | 107 |
| 300 | 16 | 10724605 | 455 | 270 | 774 | 1016 | 410 | 12 x 28 | 24.5 | 27.1 | 36 | 47 | 50 | 107 |
| 350 | 10 | 10724610 | 505 | 290 | 1114 | 1404 | 460 | 16 x 23 | 24.5 | 32.1 | 45 | 55 | 67 | 225 |
| 350 | 16 | 10724615 | 520 | 290 | 1114 | 1404 | 470 | 16 x 28 | 26.5 | 32.1 | 45 | 55 | 67 | 229 |
| 400 | 10 | 10724620 | 565 | 310 | 1114 | 1404 | 515 | 16 x 28 | 24.5 | 32.1 | 45 | 55 | 67 | 244 |
| 400 | 16 | 10724625 | 580 | 310 | 1114 | 1404 | 525 | 16 x 31 | 28 | 32.1 | 45 | 55 | 67 | 250 |
| 450 | 10 | 10724630 | 615 | 330 | 1284 | 1621 | 565 | 20 x 28 | 25.5 | 32.1 | 50 | 55 | 71 | 384 |
| 450 | 16 | 10724635 | 640 | 330 | 1284 | 1621 | 585 | 20 x 31 | 30 | 32.1 | 50 | 55 | 71 | 402 |
| 500 | 10 | 10724640 | 670 | 350 | 1284 | 1621 | 620 | 20 x 28 | 26.5 | 32.1 | 50 | 55 | 71 | 418 |
| 500 | 16 | 10724645 | 715 | 350 | 1284 | 1621 | 650 | 20 x 34 | 31.5 | 32.1 | 50 | 55 | 71 | 435 |



Fucoli Somepal
 FUNDIÇÃO DE FERRO, S.A.

Visit our website at www.fucoli-somepal.pt

Head office: Estrada de Coselhas, 3000-125 Coimbra – Portugal | Tel.: (+351) 239 490100 | Fax: (+351) 239 490198

Branch office: Rua de Aveiro 50, 3050-420 Pampilhosa – Portugal | Tel.: (+351) 239 490100 | Fax: (+351) 231 949292 | comercial@fucoli-somepal.pt

