

DOUBLE SOCKET TAPER FOR uPVC

Fittings for uPVC pipes
63 - 400 PN10/16/25

10.200



Product description

- Double socket taper for uPVC pipes for drinking water and neutral liquids
- Service temperature from 0°C (excluding frost) to 70°C

Standards

- Designed according to EN 12842
- For uPVC pipes according EN ISO 1452-2

Corrosion protection

- Epoxy powder coating RAL 5005
- Applied internal and external with a minimum coating thickness of 250 µm
- Potable water approved epoxy coating fusion bonded according EN 14901 and GSK (RAL-GZ662) guidelines

Approvals

- ACS Potability Certificate 21 ACC NY 004

Features

- Fitting approved for drinking water for uPVC pipes connection
- Body in ductile cast iron (EN-GJS-500-7)
- Fast and easy to install
- Socket ends with drinking water approved EPDM double lip seal ring to ensure a perfect sealing
- Maximum working pressure 25 bar, the maximum working and test pressure must be in accordance with the pipe standard
- This fitting does not guarantee the pipe blocking, they must be anchored by other means
- On request possibility of sealing ring in NBR.



Fucoli Somepal
FUNDAÇÃO DE FERRO, S. A.

Visit our website at www.fucoli-somepal.pt

Head office: Estrada de Coselhas, 3000-125 Coimbra – Portugal | Tel.: (+351) 239 490100 | Fax: (+351) 239 490198

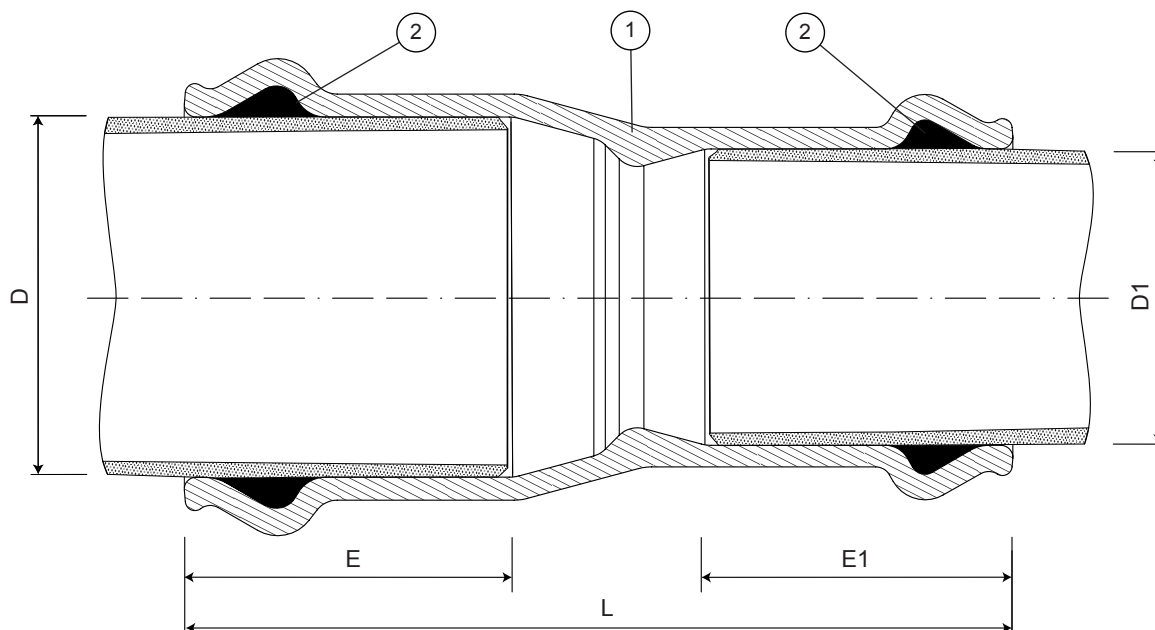
Branch office: Rua de Aveiro 50, 3050-420 Pampilhosa – Portugal | Tel.: (+351) 239 490100 | Fax: (+351) 231 949292 | comercial@fucoli-somepal.pt

DOUBLE SOCKET TAPER FOR uPVC

Fittings for uPVC pipes

63 - 400 PN10/16/25

10.200



Component list

pos.	components	material	standard
1	Body	Ductile iron EN-GJS-500-7	EN 1563
2	Sealing ring	Elastomer EPDM	EN 681 - 1

Reference and dimensions

Ø D x Ø D1 ext. PE/uPVC	code	L mm	E mm	E1 mm	Kg approx.
75 x 63	1047001001	216	90	88	3
90 x 63	1047001501	235	97	88	5
90 x 75	1047002001	232	97	90	5
110 x 63	1047002501	251	105	88	5
110 x 75	1047003001	254	105	90	5
110 x 90	1047003501	260	105	97	7
125 x 63	1047003801	273	108	88	5
125 x 75	1047004001	277	108	90	6
125 x 90	1047004201	277	108	97	6
125 x 110	1047004401	277	108	105	7
140 x 63	1047004801	276	110	88	6
140 x 75	1047004901	280	110	90	7
140 x 90	1047005101	285	110	97	7
140 x 110	1047005301	287	110	105	7
140 x 125	1047005501	287	110	108	7
160 x 63	1047006501	297	123	88	8
160 x 75	1047006701	297	123	90	8
160 x 90	1047006901	298	123	97	9
160 x 110	1047007101	314	123	105	10
160 x 125	1047007301	311	123	108	10
160 x 140	1047007501	311	123	110	10
180 x 140	1047007651	325	128	110	12
180 x 160	1047007671	325	128	123	13
200 x 63	1047007901	366	132	80	12
200 x 75	1047008101	366	132	90	12

continued on next page

DOUBLE SOCKET TAPER FOR UPVC

Fittings for uPVC pipes

63 - 400 PN10/16/25

10.200



continued from previous page

Ø D x Ø D1 ext. PE/uPVC	code	L mm	E mm	E1 mm	Kg approx.
200 x 90	1047008301	367	132	97	13
200 x 110	1047008501	358	132	105	14
200 x 125	1047008701	356	132	108	14
200 x 140	1047008901	356	132	110	14
200 x 160	1047009101	368	132	123	15
200 x 180	1047009301	368	132	128	16
225 x 110	1047009701	355	134	105	15
225 x 160	1047009901	370	134	123	15
250 x 75	1047010201	402	145	97	16
250 x 90	1047010401	456	160	134	17
250 x 110	1047010601	402	145	105	17
250 x 125	1047010801	405	145	108	18
250 x 140	1047011001	407	145	110	18
250 x 160	1047011201	418	145	123	19
250 x 180	1047011301	408	145	128	20
250 x 200	1047011401	408	145	132	20
315 x 110	1047012201	456	160	105	22
315 x 160	1047012801	456	160	123	28
315 x 200	1047013001	456	160	132	29
315 x 225	1047013051	456	160	134	30
315 x 250	1047013401	536	173	145	33
400 x 140	1047013481	536	173	110	45
400 x 200	1047013521	536	173	132	49
400 x 315	1047013601	536	173	160	53



Fucoli Somepal
FUNDAÇÃO DE FERRO, S.A.

Visit our website at www.fucoli-somepal.pt

Head office: Estrada de Coselhas, 3000-125 Coimbra – Portugal | Tel.: (+351) 239 490100 | Fax: (+351) 239 490198

Branch office: Rua de Aveiro 50, 3050-420 Pampilhosa – Portugal | Tel.: (+351) 239 490100 | Fax: (+351) 231 949292 | comercial@fucoli-somepal.pt



100% MADE IN EUROPE