

# FLANGED SOFT SEALING GATE VALVE ISO TOP FLANGE S15 3000

prepared for electric actuator  
DN 40 - 300 PN25

01.204



## Product description

- Flanged soft sealing gate valve with ISO top flange prepared for electrical actuator series 3000 for drinking water and neutral liquids
- Service temperature from 0°C (excluding frost) to 70°C

## Standards

- Designed according to EN 1074 part 1 & 2 and EN 1171
- Flange drilling to EN 1092-2 PN25
- Face-to-face according to EN 558 series 15
- ISO top flange according to ISO 5210

## Tests

All valves are individually hydrostatically tested according to EN 1074-1/2 and EN 12266:

- Seal 1.1 x PN (in bar); Body: 1.5 x PN (in bar). Operation torque test

## Corrosion protection

- Epoxy powder coating RAL 5005
- Applied internal and external with a minimum coating thickness of 250 µm
- Potable water approved epoxy coating, fusion bonded according DIN 3476-1, EN 14901 and GSK approved

## Approvals

- ACS Potability Certificate 15 ACC NY 005
- GSK Epoxy Coating Certificate GSK-ID:1247 (RAL-GZ 662)

## Features

- Isolation valve approved for drinking water
- Full bore
- Low operating torque
- The valves from DN 250 to DN 300 are equipped with an axial bearing to ensure reduced operating torque
- Stainless steel stem with rolled threads produced by cold rolling process, which keeps the steel structure and increase its mechanical resistance
- Stem sealing system with 4 O-rings in EPDM
- O-ring stem sealing exchangeable under pressure
- Wedge fully vulcanized with drinking water approved EPDM
- Top of the wedge conceived with “soft stop” system, which acts as an end stop for the fully open valve
- Wedge with brass nut fixed in the wedge core preventing vibration and ensure a long life span
- Wedge and body designed with “monorail” system
- Round EPDM bonnet gasket fixed in a recess, surrounding the bolts, ensuring a perfect seal
- Body/bonnet bolts in stainless steel A2 encased and sealed ensuring full corrosion protection
- ISO top flange according ISO 5210 for electric actuator or manual gearbox assembling
- Accessories: electric actuator and bevel gearbox
- On request possibility of stem in stainless steel AISI 316L, NBR sealings and wedge nut in different brass grades.



**Fucoli Somepal**  
FUNDAÇÃO DE FERRO, S. A.

Visit our website at [www.fucoli-somepal.pt](http://www.fucoli-somepal.pt)

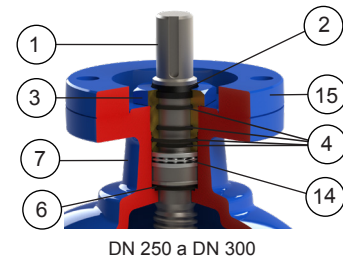
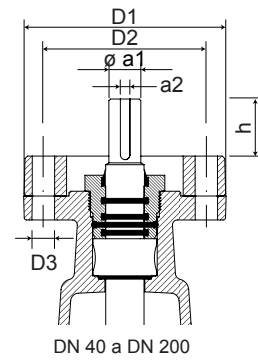
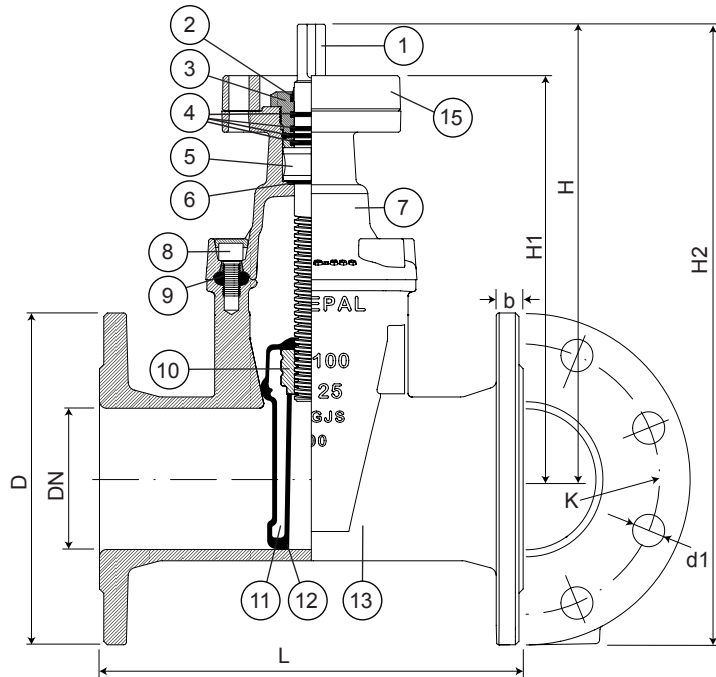
Head office: Estrada de Coselhas, 3000-125 Coimbra – Portugal | Tel.: (+351) 239 490100 | Fax: (+351) 239 490198

Branch office: Rua de Aveiro 50, 3050-420 Pampilhosa – Portugal | Tel.: (+351) 239 490100 | Fax: (+351) 231 949292 | [comercial@fucoli-somepal.pt](mailto:comercial@fucoli-somepal.pt)

# FLANGED SOFT SEALING GATE VALVE ISO TOP FLANGE S15 3000

prepared for electric actuator  
DN 40 - 300 PN25

01.204



## Component list

pos.	components	material	standard
1	Stem	Stainless steel AISI 420	EN 10088 - 1
2	Clearing joint	Elastomer	
3	Gland	Brass CW614N	EN 12164
4	O-rings	Elastomer EPDM	EN 681 - 1
5	Stem washer	Brass CW603N	EN 12164
6	O-ring	Elastomer EPDM	EN 681 - 1
7	Bonnet	Ductile iron EN-GJS-500-7	EN 1563
8	Bolts	Stainless steel A2	EN 10088 - 1
9	Bonnet gasket	Elastomer EPDM	EN 681 - 1

pos.	components	material	standard
10	Wedge nut	Brass CW602N	EN 12164
11	Wedge	Ductile iron EN-GJS-500-7	EN 1563
12	Wedge covering	Elastomer EPDM	EN 681 - 1
13	Body	Ductile iron EN-GJS-500-7	EN 1563
14	Bearing	Steel	ISO 20516
15	Mouting flange	Ductile iron EN-GJS-500-7	EN 1563

## Reference and dimensions

DN	PN	code	D	L	H	H1	H2	K	n° x d1	b	ISO 5210 flange	D1	D2	n° x D3	ø a1	a2	h	turns to open	Kg approx.
			mm	mm	mm	mm	mm	mm	mm	mm		mm	mm	mm	mm	mm	mm		
40	25	10731010	150	240	207	177	282	110	4 x 19	19	F10	125	102	4 x 12	20	6	30	10	11
50	25	10731020	165	250	238	208	321	125	4 x 19	19	F10	125	102	4 x 12	20	6	30	13	13
60	25	10731030	175	270	250	217	338	135	8 x 19	19	F10	125	102	4 x 12	20	6	33	13	18
65	25	10731040	185	270	250	217	343	145	8 x 19	19	F10	125	102	4 x 12	20	6	33	13	18
80	25	10731050	200	280	286	253	386	160	8 x 19	19	F10	125	102	4 x 12	20	6	33	16	22
100	25	10731060	235	300	325	286	443	190	8 x 23	19	F10	125	102	4 x 12	20	6	39	20	27
125	25	10731070	270	325	362	323	497	220	8 x 28	19	F10	125	102	4 x 12	20	6	39	25	35
150	25	10731080	300	350	425	384	575	250	8 x 28	20	F14	175	140	4 x 18	30	8	41	30	48
200	25	10731090	360	400	505	459	683	310	12 x 28	22	F14	175	140	4 x 18	30	8	46	34	69
250	25	10731100	425	450	595	545	805	370	12 x 31	24.5	F14	175	140	4 x 18	30	8	50	42	99
300	25	10731110	485	500	665	615	908	430	16 x 31	27.5	F14	175	140	4 x 18	30	8	50	50	169



**Fucoli Somepal**  
FUNDAÇÃO DE FERRO, S.A.

Visit our website at [www.fucoli-somepal.pt](http://www.fucoli-somepal.pt)

Head office: Estrada de Coselhas, 3000-125 Coimbra – Portugal | Tel.: (+351) 239 490100 | Fax: (+351) 239 490198

Branch office: Rua de Aveiro 50, 3050-420 Pampilhosa – Portugal | Tel.: (+351) 239 490100 | Fax: (+351) 231 949292 | [comercial@fucoli-somepal.pt](mailto:comercial@fucoli-somepal.pt)



100% MADE IN EUROPE