

FLANGED SOFT SEALING GATE VALVE S15 3000

with open/close indicator & open-close limit switching

DN 40 - 600 PN10/16

01.601LS



Product description

- Flanged soft sealing gate valve series 3000 with open/close indicator and open-close switching for drinking water and neutral liquids
- Service temperature from 0°C (excluding frost) to 70°C

Standards

- Designed according to EN 1074 part 1 & 2 and EN 1171
- Flange drilling to EN 1092-2 PN10/16
- Face-to-face according to EN 558 series 15

Tests

- All valves are individually hydrostatically tested according to EN 1074-1/2 and EN 12266:
- Seal 1.1 x PN (in bar); Body: 1.5 x PN (in bar). Operation torque test

Corrosion protection

- Epoxy powder coating RAL 5005
- Applied internal and external with a minimum coating thickness of 250 µm
- Potable water approved epoxy coating, fusion bonded according DIN 3476-1, EN 14901 and GSK approved

Approvals

- ACS Potability Certificate 15 ACC NY 005
- GSK Certificate GSK-ID:1247 (RAL-GZ 662)

Features

- Isolation valve approved for drinking water
- Full bore
- Low operating torque
- The valves from DN 250 to DN 300 are equipped with an axial bearing, from DN 350 to DN 600 are equipped with two thrust bearings to ensure reduced operating torque
- Stainless steel stem with rolled threads produced by cold rolling process, which keeps the steel structure and increase its mechanical resistance
- Stem sealing system with 4 O-rings in EPDM
- O-ring stem sealing exchangeable under pressure
- Wedge fully vulcanized with drinking water approved EPDM
- Top of the wedge conceived with “soft stop” system, which acts as an end stop for the fully open valve
- Wedge with brass nut fixed in the wedge core preventing vibration and ensure a long life span
- Wedge and body designed with “monorail” system
- Round EPDM bonnet gasket fixed in a recess, surrounding the bolts, ensuring a perfect seal
- Body/bonnet bolts in stainless steel A2 encased and sealed ensuring full corrosion protection
- Position indicator for visual display of gate position
- Limit switches for electrical signal transmission with open and close position of the valve
- On request possibility of stem in stainless steel AISI 316L, NBR sealings and wedge nut in different brass grades.



Fucoli Somepal
FUNDAÇÃO DE FERRO, S. A.

Visit our website at www.fucoli-somepal.pt

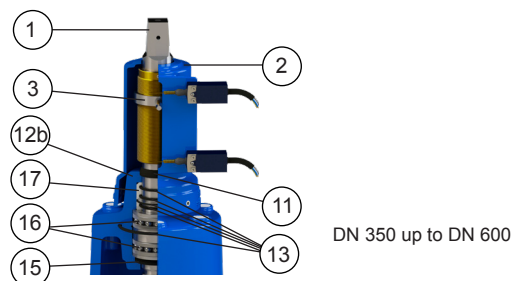
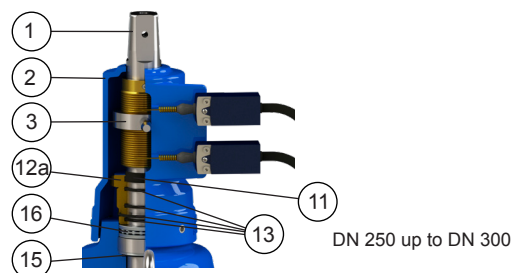
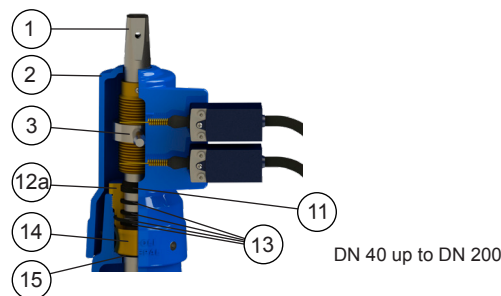
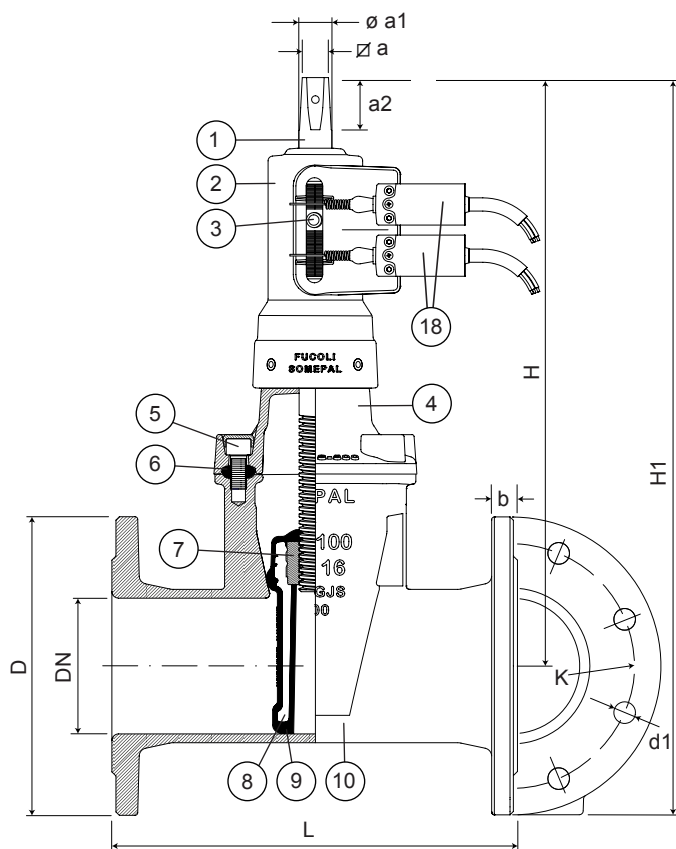
Head office: Estrada de Coselhas, 3000-125 Coimbra – Portugal | Tel.: (+351) 239 490100 | Fax: (+351) 239 490198

Branch office: Rua de Aveiro 50, 3050-420 Pampilhosa – Portugal | Tel.: (+351) 239 490100 | Fax: (+351) 231 949292 | comercial@fucoli-somepal.pt

FLANGED SOFT SEALING GATE VALVE S15 3000

with open/close indicator & open-close limit switching
DN 40 - 600 PN10/16

01.601LS



Component list

pos.	components	material	standard
1	Stem	Stainless steel AISI 420	EN 10088 - 1
2	Coupling	Ductile iron EN-GJS-500-7	EN 1563
3	Open-close indicated	Stainless steel AISI 420	EN 10088 - 1
4	Bonnet	Ductile iron EN-GJS-500-7	EN 1563
5	Bolts	Stainless steel A2	EN 10088 - 1
6	Bonnet gasket	Elastomer EPDM	EN 681 - 1
7	Wedge nut	Brass CW603N	EN 12164
8	Wedge	Ductile iron EN-GJS-500-7	EN 1563
9	Wedge covering	Elastomer EPDM	EN 681 - 1

pos.	components	material	standard
10	Body	Ductile iron EN-GJS-500-7	EN 1563
11	Clearing joint	Elastomer	
12a	Gland	Brass CW614N	EN 12164
12b	Gland	Ductile iron EN-GJS-500-7	EN 1563
13	O-rings	Elastomer EPDM	EN 681 - 1
14	Stem washer	Brass CW603N	EN 12164
15	O-ring	Elastomer EPDM	EN 681 - 1
16	Bearing	Steel	ISO 20516
17	Gland bush	POM	
18	Open-close limit switching		

Reference and dimensions

DN	PN	code	D	L	H	H1	K	n° x d1	b	$\varnothing a$	$\varnothing a1$	a2	turns to open	Kg approx.
			mm	mm	mm	mm	mm	mm	mm	mm	mm	mm		
40	10/16	10726210	150	240	298	373	110	4 x 19	19	14.1	20	29	10	13
50	10/16	10726220	165	250	327	410	125	4 x 19	19	14.1	20	29	13	14
60	10/16	10726230	175	270	341	434	135	4 x 19	19	17.1	22	34	13	16
65	10/16	10726240	185	270	341	434	145	4 x 19	19	17.1	22	34	13	16
80	10/16	10726250	200	280	361	462	160	8 x 19	19	17.1	22	34	16	21
100	10/16	10726260	220	300	427	537	180	8 x 19	19	19.1	24	38	20	25
125	10/16	10726270	250	325	469	594	210	8 x 19	19	19.1	26	38	25	30
150	10/16	10726280	285	350	538	681	240	8 x 23	19	19.1	28	38	30	40
200	10	10726290	340	400	616	786	295	8 x 23	20	24.1	32	42	34	61
200	16	10726295	340	400	616	786	295	12 x 23	20	24.1	32	42	34	61
250	10	10726300	400	450	702	902	350	12 x 23	22	27.1	36	47	42	82
250	16	10726305	400	450	702	902	355	12 x 28	22	27.1	36	47	42	82

continued on next page

FLANGED SOFT SEALING GATE VALVE S15 3000
with open/close indicator & open-close limit switching
DN 40 - 600 PN10/16

01.601LS



continued from previous page

DN	PN	code	D mm	L mm	H mm	H1 mm	K mm	n° x d1 mm	b mm	∅a mm	∅ a1 mm	a2 mm	turns to open	Kg approx.
300	10	10726310	455	500	774	1016	400	12 x 23	24.5	27.1	36	47	50	137
300	16	10726315	455	500	774	1016	410	12 x 28	24.5	27.1	36	47	50	137
350	10	10726320	505	550	1114	1404	460	16 x 23	24.5	32.1	45	55	67	263
350	16	10726325	520	550	1114	1404	470	16 x 28	26.5	32.1	45	55	67	267
400	10	10726330	565	600	1114	1404	515	16 x 28	24.5	32.1	45	55	67	286
400	16	10726335	580	600	1114	1404	525	16 x 31	28	32.1	45	55	67	289
450	10	10726340	615	650	1284	1621	565	20 x 28	25.5	32.1	50	55	71	458
450	16	10726345	640	650	1284	1621	585	20 x 31	30	32.1	50	55	71	475
500	10	10726350	670	700	1284	1621	620	20 x 28	26.5	32.1	50	55	71	492
500	16	10726355	715	700	1284	1621	650	20 x 34	31.5	32.1	50	55	71	509
600	10	10726360	780	800	1491	1914	725	20 x 31	30	41.1	60	74	86	651
600	16	10726365	840	800	1491	1914	770	20 x 37	36	41.1	60	74	86	702



Fucoli Somepal
 FUNDIÇÃO DE FERRO, S. A.

Visit our website at www.fucoli-somepal.pt

Head office: Estrada de Coselhas, 3000-125 Coimbra – Portugal | Tel.: (+351) 239 490100 | Fax: (+351) 239 490198

Branch office: Rua de Aveiro 50, 3050-420 Pampilhosa – Portugal | Tel.: (+351) 239 490100 | Fax: (+351) 231 949292 | comercial@fucoli-somepal.pt

