

MANHOLE COVER OTHER MODELS

12.600

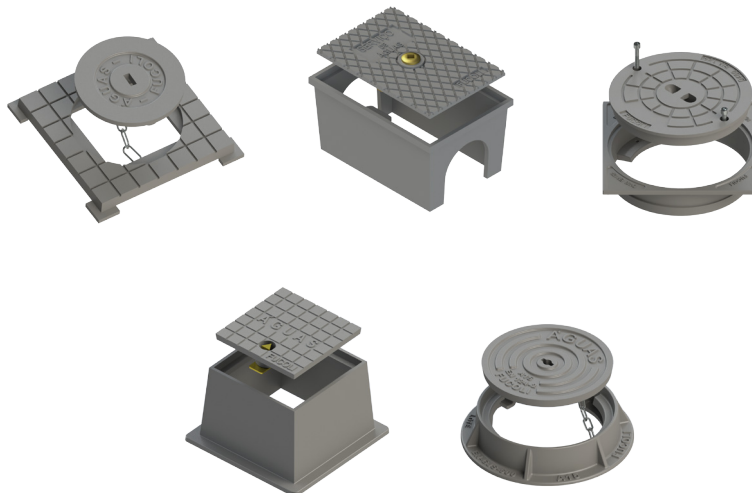


Product description

- Other manhole cover models
- Water based black painting

Features

- Ductile cast iron cover and frame (EN-GJS-500-7) with water based black painting and steel zinc frame
- Cover with non-slip raised pattern
- Models conceived tailor-made according to customer needs, with application in their own locations according to criteria defined by them.



Fucoli Somepal
FUNDAÇÃO DE FERRO, S. A.

Visit our website at www.fucoli-somepal.pt

Head office: Estrada de Coselhas, 3000-125 Coimbra – Portugal | Tel.: (+351) 239 490100 | Fax: (+351) 239 490198

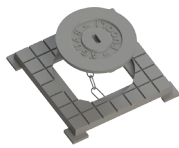
Branch office: Rua de Aveiro 50, 3050-420 Pampilhosa – Portugal | Tel.: (+351) 239 490100 | Fax: (+351) 231 949292 | comercial@fucoli-somepal.pt

MANHOLE COVER OTHER MODELS

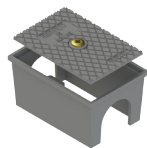
12.600



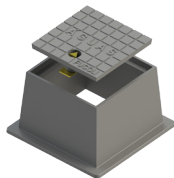
Models available



21 x 21
Serviço Águas



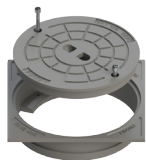
Serviço Águas
M G



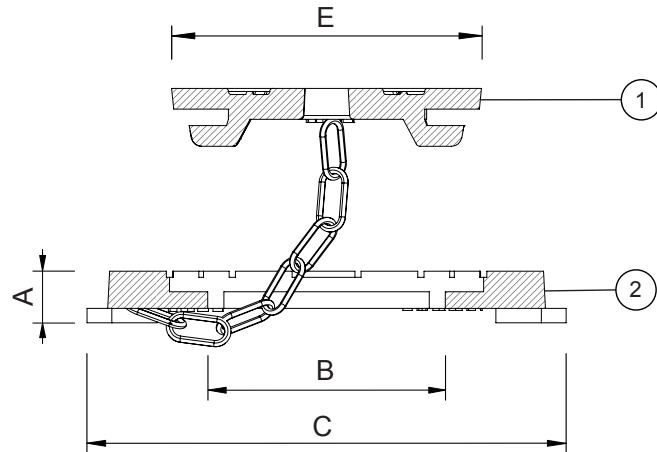
12 Figueira
da Foz



21 Nind



Cover for
telescopic box



Component list

pos.	components	material	standard
1	Cover	Ductile iron EN-GJS-500-7	EN 1563
2	Frame	Ductile iron EN-GJS-500-7	EN 1563

Reference and dimensions

Model	code	Frame			Cover	Weight	
		height mm A	clear opening mm B	ext. with stone-bolt mm C	exterior mm E	Cover kg approx.	Total kg approx.
21 x 21 Serviço Águas	24F1AV0ZNBAGZZZ00RA	25	115 x 115	232 x 232	∅ 150	2	5
Serviço Águas - M G	24D1AX0ZNBAGZZZ00CA	115	185 x 115	225 x 155	210 x 140	2	5
12 Figueira da Foz	24C1AM0ZNBAGZZZ00CA	105	107 x 107	174 x 174	122 x 122	1	5
Cover for telescopic box D400	24F1BG4ZNBAGZZZ00NA	78	∅ 225	340 x 340	∅ 315	9	16
21 Nind	24B1AV0ZNBAGZZZ00RA	50	∅ 160	∅ 250	∅ 250	2	5



Fucoli Somepal
FUNDAÇÃO DE FERRO, S.A.

Visit our website at www.fucoli-somepal.pt

Head office: Estrada de Coselhas, 3000-125 Coimbra – Portugal | Tel.: (+351) 239 490100 | Fax: (+351) 239 490198

Branch office: Rua de Aveiro 50, 3050-420 Pampilhosa – Portugal | Tel.: (+351) 239 490100 | Fax: (+351) 231 949292 | comercial@fucoli-somepal.pt



100% MADE IN EUROPE