

SOFT SEALING GATE VALVE SOCKET ENDS FOR UPVC NEXUS

for uPVC pipes

DN 50 - 250 PN16

01.402



Product description

- Soft sealing gate valve with socket ends for uPVC pipes series NEXUS for drinking water and neutral liquids
- Service temperature from 0°C (excluding frost) to 70°C

Standards

- Designed according to EN 1074 part 1 & 2 and EN 1171
- For PVC pipes according to EN ISO 1452-2

Tests

All valves are individually hydrostatically tested according to EN 1074-1/2 and EN 12266:

- Seal 1.1 x PN (in bar); Body: 1.5 x PN (in bar). Operation torque test

Corrosion protection

- Epoxy powder coating RAL 5005
- Applied internal and external with a minimum coating thickness of 250 µm
- Potable water approved epoxy coating, fusion bonded according DIN 3476-1, EN 14901 and GSK (RAL-GZ662) guidelines

Approvals

- ACS Potability Certificate 23 ACC NY 441

Features

- Isolation valve approved for drinking water
- Full bore
- Brass stem washer provides stress fixation and low operating torque
- Stainless steel stem with rolled threads produced by cold rolling process, which keeps the steel structure and increase its mechanical resistance
- Stem with stainless steel wedge stop to serve as backstop when the valve is fully open
- Stem sealing with POM bearing with 4 O-rings and a bottom joint in EPDM
- Wedge fully vulcanized with drinking water approved EPDM
- Wedge of polyamide coated guide rails avoiding friction and corrosion
- Wedge with brass nut fixed in the wedge core preventing vibration and ensure a long life span
- Round EPDM bonnet gasket fixed in a recess, surrounding the bolts, ensuring a perfect seal
- Body/bonnet bolts in stainless steel A2 encased and sealed ensuring full corrosion protection
- Suitable for PVC pipes
- Socket ends with EPDM double lip seal ring to ensure a perfect sealing
- Accessories: handwheel [ref.05.100], stem cap [ref. 05.200], extension spindle [ref. 05.300] and surface box [ref. 05.500]
- On request possibility of stem in stainless steel AISI 316L and NBR sealings.



Fucoli Somepal
FUNDAÇÃO DE FERRO, S. A.

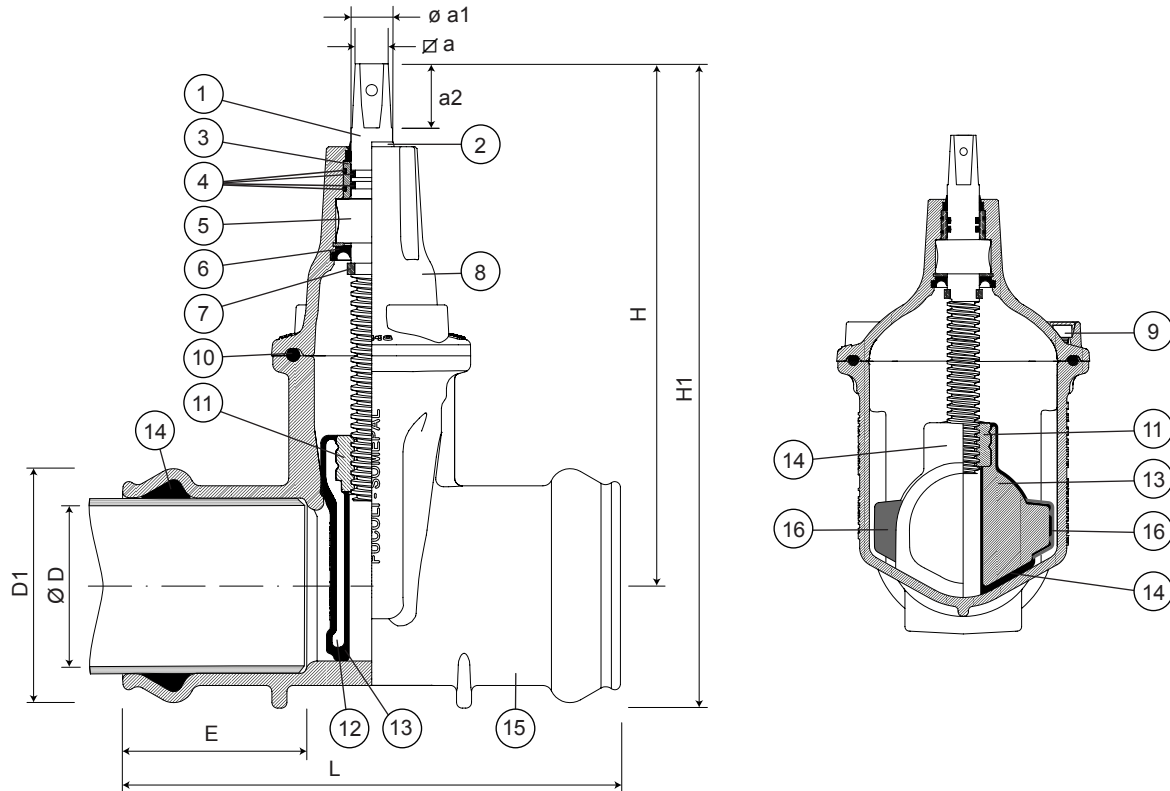
Visit our website at www.fucoli-somepal.pt

Head office: Estrada de Coselhas, 3000-125 Coimbra – Portugal | Tel.: (+351) 239 490100 | Fax: (+351) 239 490198

Branch office: Rua de Aveiro 50, 3050-420 Pampilhosa – Portugal | Tel.: (+351) 239 490100 | Fax: (+351) 231 949292 | comercial@fucoli-somepal.pt

SOFT SEALING GATE VALVE SOCKET ENDS FOR UPVC NEXUS
for uPVC pipes
DN 50 - 250 PN16

01.402



Component list

pos.	components	material	standard
1	Stem	Stainless steel AISI 420	EN 10088 - 1
2	Clearing joint	Elastomer	-
3	Bearing	POM	-
4	O-rings	Elastomer EPDM	EN 681 - 1
5	Stem washer	Brass	EN 12164
6	Joint	Elastomer EPDM	EN 681 - 1
7	Wedge stop	Stainless steel AISI 420	EN 10088 - 1
8	Bonnet	Ductile iron EN-GJS-500-7	EN 1563

pos.	components	material	standard
9	Bolts	Stainless steel A2	EN 10088 - 1
10	Bonnet gasket	Elastomer EPDM	EN 681 - 1
11	Wedge nut	Brass	EN 12164
12	Wedge	Ductile iron EN-GJS-500-7	EN 1563
13	Wedge covering	Elastomer EPDM	EN 681 - 1
14	Lip seal ring	Elastomer EPDM	EN 681 - 1
15	Body	Ductile iron EN-GJS-500-7	EN 1563
16	Wedge guide	Polyamide	-

Reference and dimensions

DN	Ø D ext. PVC	code	D1 mm	L mm	E min	H mm	H1 mm	Ø a mm	Ø a1 mm	a2 mm	turns to open	Kg approx.
50	63	10720805	93	235	91	214	263	14.1	18	29	13	6
65	75	10720810	106	260	99	252	308	17.1	22	34	14	8
80	90	10720815	124	265	102	277	342	17.1	22	34	16	10
100	110	10720820	147	275	111	306	380	19.1	23	38	20	13
125	125	10720825	161	315	117	342	425	19.1	23	38	25	17
150	160	10720835	201	320	117	400	500	19.1	26	38	30	26
200	200	10720840	245	370	137	471	600	24.1	28	38	40	40
200	225	10720845	271	-	135	471	-	24.1	28	38	40	40
250	250	10720850	302	-	150	601	-	27.1	32	47	42	-



Fucoli Somepal
FUNDAÇÃO DE FERRO, S.A.

Visit our website at www.fucoli-somepal.pt

Head office: Estrada de Coselhas, 3000-125 Coimbra – Portugal | Tel.: (+351) 239 490100 | Fax: (+351) 239 490198

Branch office: Rua de Aveiro 50, 3050-420 Pampilhosa – Portugal | Tel.: (+351) 239 490100 | Fax: (+351) 231 949292 | comercial@fucoli-somepal.pt



100% MADE IN EUROPE