

SURFACE BOX

for Gas

B125 and D400

12.700



Product description

- Surface box for Gas
- Water based black painting

Installation location

- Class B125 - Footways, pedestrian areas and comparable areas, car parks or car parking decks
- Class D400 - Carriageways of roads (including pedestrian streets), hard shoulders and parking areas for all types of road vehicles

Standards

- Performance according to EN 124-1/2

Certifications

- Certificate Certif "DN 150 B125" DDA - 004/2021
- Certificate Certif "DN 600 B125" DDA - 003/2021
- Certificate Certif "DN 600 D400" DDA - 006/2021

Features

- Ductile cast iron cover and frame (EN-GJS-500-7) with water based black painting
- Cover with non-slip raised pattern according to EN 124-1, designed to allow quick and easy installation
- Personalization of the cover with inscriptions and logo in high relief with minimal quantities.



D15 - B125
D60 - B125
D60 - D400



Fucoli Somepal
FUNDAÇÃO DE FERRO, S. A.

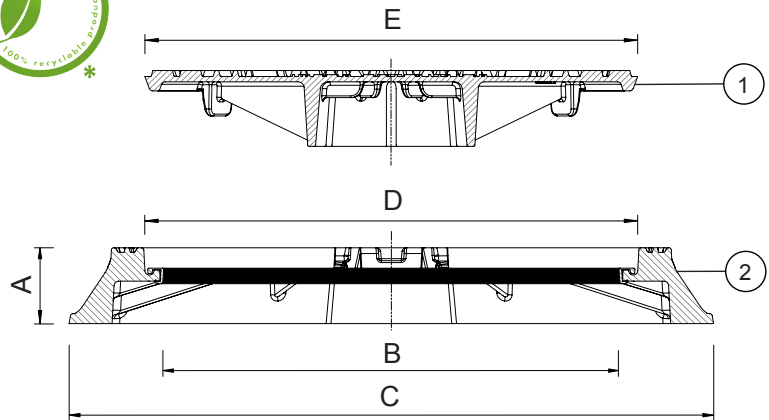
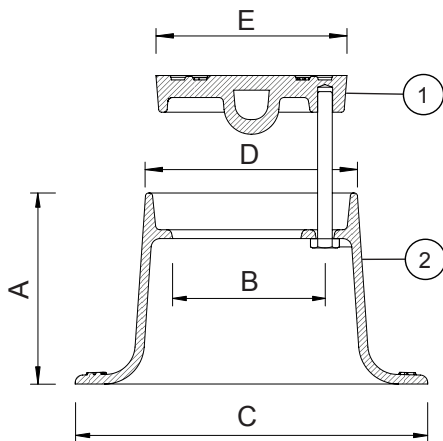
Visit our website at www.fucoli-somepal.pt

Head office: Estrada de Coselhas, 3000-125 Coimbra – Portugal | Tel.: (+351) 239 490100 | Fax: (+351) 239 490198

Branch office: Rua de Aveiro 50, 3050-420 Pampilhosa – Portugal | Tel.: (+351) 239 490100 | Fax: (+351) 231 949292 | comercial@fucoli-somepal.pt

SURFACE BOX for Gas B125 and D400

12.700



Modelos



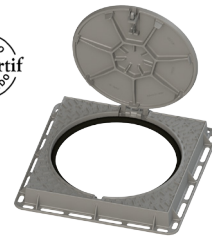
Series
* Conical
DN 100 and DN 200



Series
* DN 150



Eixo e Dobradiça
DN 600 B125 and DN 600 D400



Component list

pos.	components	material	standard
1	Cover	Ductile iron EN-GJS-500-7	EN 1563
2	Frame	Ductile iron EN-GJS-500-7	EN 1563

Reference and dimensions

Model - Class	code	Frame				Cover	Weight	
		height mm	clear opening mm	exterior mm	surface exterior mm	exterior mm	Cover kg	Total kg
		A	B	C	D	E	approx.	approx.
* Conical DN 100	24B1AK0ZKNKBGAZZ00NA	130	107	240	143	130	2	6
* Conical DN 200 - D400	24B1AU4ZNUBGAZZ00NA	232	200	320	248	232	5	16
* DN 150 - B125	24B1AP2ZNIBZZZZ00QA	105	140	185	185	172.5	2	4
Eixo e Dobradiça 600 - B125	24F1CI2EAIBZZZZ00EE	100	610	850	738	650	25	66
Eixo e Dobradiça 600 - D400	24F1CI4EAIBZZZZ00EE	100	610	850	738	650	30	80



Fucoli Somepal
FUNDIÇÃO DE FERRO, S.A.

Visit our website at www.fucoli-somepal.pt

Head office: Estrada de Coselhas, 3000-125 Coimbra – Portugal | Tel.: (+351) 239 490100 | Fax: (+351) 239 490198

Branch office: Rua de Aveiro 50, 3050-420 Pampilhosa – Portugal | Tel.: (+351) 239 490100 | Fax: (+351) 231 949292 | comercial@fucoli-somepal.pt



100% MADE IN EUROPE