

DOUBLE SOCKET TEE FOR uPVC WITH FLANGED BRANCH

11.1400

Fittings for uPVC pipes
63 - 400 PN10/16



Product description

- Double socket tee for uPVC pipes with flanged branch for waste water
- Service temperature from 0°C (excluding frost) to 70°C

Standards

- Designed according to EN 12842
- For uPVC pipes according EN ISO 1452-2
- Flange drilling to EN 1092-2 PN10/16

Corrosion protection

- Epoxy powder coating RAL 3011
- Applied internal and external with a minimum coating thickness of 250 µm
- Fusion bonded epoxy coating according EN 14901 and GSK (RAL-GZ662) guidelines

Features

- Fitting for waste water uPVC pipes connection
- Body in ductile cast iron (EN-GJS-500-7)
- Fast and easy to install
- Socket ends with NBR double lip seal ring to ensure a perfect sealing
- Maximum working pressure 16 bar, the maximum working and test pressure must be in accordance with the pipe standard
- This fitting does not guarantee the pipe blocking, they must be anchored by other means.



Fucoli Somepal
FUNDAÇÃO DE FERRO, S. A.

Visit our website at www.fucoli-somepal.pt

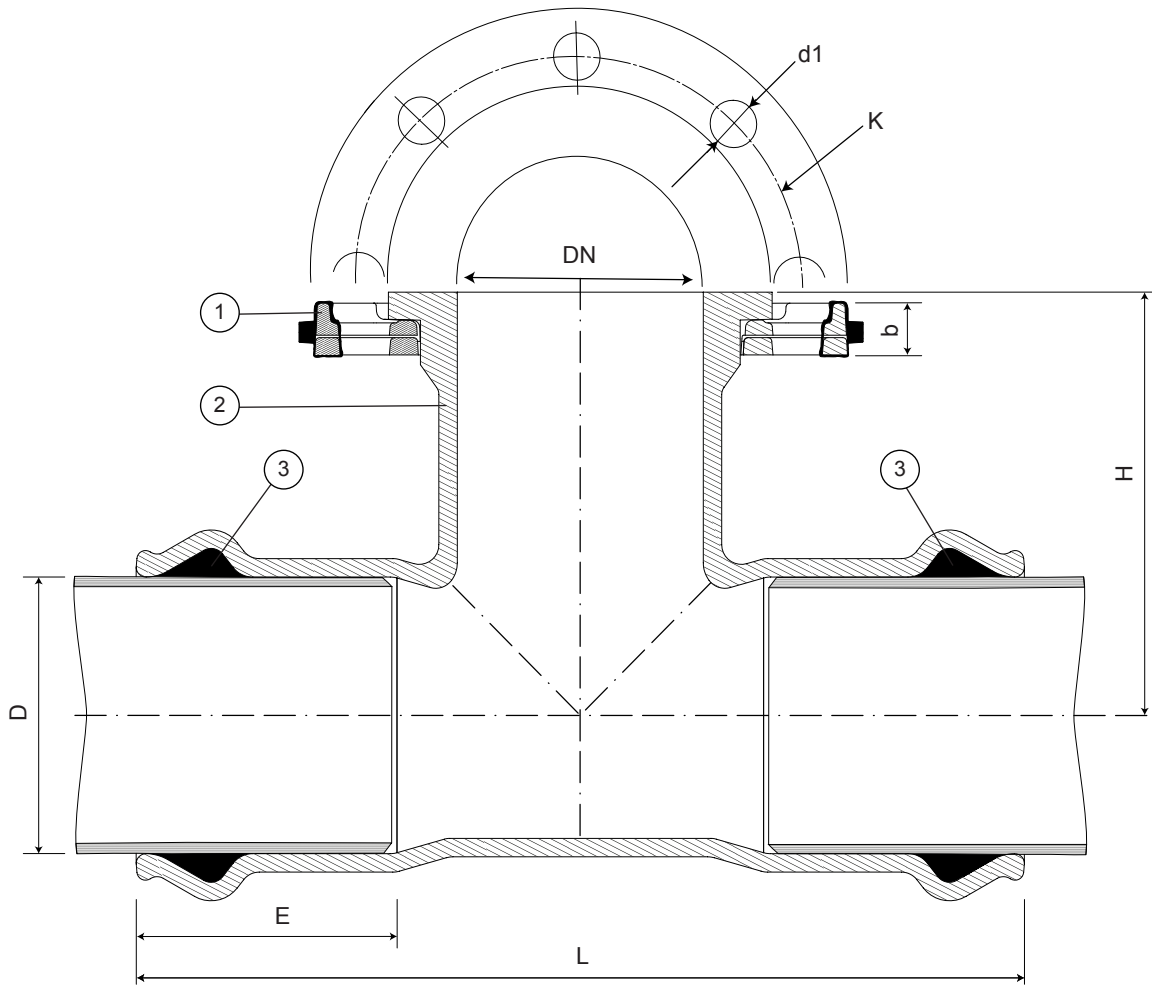
Head office: Estrada de Coselhas, 3000-125 Coimbra – Portugal | Tel.: (+351) 239 490100 | Fax: (+351) 239 490198

Branch office: Rua de Aveiro 50, 3050-420 Pampilhosa – Portugal | Tel.: (+351) 239 490100 | Fax: (+351) 231 949292 | comercial@fucoli-somepal.pt

DOUBLE SOCKET TEE FOR uPVC WITH FLANGED BRANCH

Fittings for uPVC pipes
63 - 400 PN10/16

11.1400



Component list

pos.	components	material	norma
1	Flange	Ductile iron EN-GJS-500-7	EN 1563
2	Body	Ductile iron EN-GJS-500-7	EN 1563
3	Sealing ring	Elastomer NBR	EN 681 - 1

Reference and dimensions

D x DN ext. PE/uPVC	PN	code	L mm	H mm	E mm	K mm	n° x d1 mm	b mm	Flange movable / fixed	Kg approx.
63 x 50	10/16	10490100	254	140	88	125	4 x 19	21	movable	6
63 x 60	10/16	10490103	263	135	88	135	4 x 19	21	movable	7
63 x 65	10/16	10490106	263	135	88	145	4 x 19	21	movable	7
75 x 50	10/16	10490109	265	140	90	125	4 x 19	21	movable	6
75 x 60	10/16	10490112	280	140	90	135	4 x 19	21	movable	7
75 x 65	10/16	10490115	280	140	90	145	4 x 19	21	movable	8
90 x 50	10/16	10490118	286	160	97	125	4 x 19	21	movable	8
90 x 60	10/16	10490121	301	161	97	135	4 x 19	21	movable	8
90 x 65	10/16	10490124	301	161	97	145	4 x 19	21	movable	9
90 x 80	10/16	10490127	316	161	97	160	8 x 19	21	movable	9
110 x 50	10/16	10490130	311	170	105	125	4 x 19	21	movable	10
110 x 60	10/16	10490133	326	175	105	135	4 x 19	21	movable	10
110 x 65	10/16	10490136	326	175	105	145	4 x 19	21	movable	11
110 x 80	10/16	10490139	341	172	105	160	8 x 19	21	movable	12
110 x 100	10/16	10490142	361	172	105	180	8 x 19	21	movable	12

continued on next page

DOUBLE SOCKET TEE FOR uPVC WITH FLANGED BRANCH**11.4000**

Fittings for uPVC pipes

63 - 400 PN10/16

continued from previous page

Reference and dimensions

D x DN ext. PE/uPVC	PN	code	L mm	H mm	E mm	K mm	n° x d1 mm	b mm	Flange movable / fixed	Kg approx.
125 x 50	10/16	10490145	327	160	108	125	4 x 19	21	movable	10
125 x 60	10/16	10490148	337	160	108	135	4 x 19	21	movable	11
125 x 65	10/16	10490151	337	160	108	145	4 x 19	21	movable	12
125 x 80	10/16	10490154	364	179	108	160	8 x 19	21	movable	13
125 x 100	10/16	10490157	382	180	108	180	8 x 19	21	movable	14
125 x 125	10/16	10490160	402	180	108	210	8 x 19	21	movable	15
140 x 50	10/16	10490163	335	176	110	125	4 x 19	21	movable	12
140 x 60	10/16	10490166	350	203	110	135	4 x 19	21	movable	14
140 x 65	10/16	10490169	350	203	110	145	4 x 19	21	movable	14
140 x 80	10/16	10490172	365	187	110	160	8 x 19	21	movable	15
140 x 100	10/16	10490175	385	197	110	180	8 x 19	21	movable	15
140 x 125	10/16	10490178	410	205	110	210	8 x 19	21	movable	18
160 x 50	10/16	10490181	362	200	123	125	4 x 19	21	movable	15
160 x 60	10/16	10490184	380	214	123	135	4 x 19	21	movable	15
160 x 65	10/16	10490187	380	214	123	145	4 x 19	21	movable	15
160 x 80	10/16	10490190	396	199	123	160	8 x 19	21	movable	17
160 x 100	10/16	10490193	415	208	123	180	8 x 19	21	movable	18
160 x 125	10/16	10490196	441	218	123	210	8 x 19	21	movable	21
160 x 150	10/16	10490199	465	218	123	240	8 x 23	21	movable	23
180 x 80	10/16	10490197	508	225	128	160	8 x 19	21	movable	23
180 x 150	10/16	10490201	508	240	128	240	8 x 23	21	movable	27
200 x 50	10/16	10490202	403	210	132	125	4 x 19	21	movable	18
200 x 60	10/16	10490205	418	214	132	135	4 x 19	21	movable	19
200 x 65	10/16	10490208	418	214	132	145	4 x 19	21	movable	19
200 x 80	10/16	10490211	435	223	132	160	8 x 19	21	movable	22
200 x 100	10/16	10490214	457	240	132	180	8 x 19	21	movable	24
200 x 125	10/16	10490217	480	233	132	210	8 x 19	21	movable	26
200 x 150	10/16	10490220	550	273	132	240	8 x 23	21	movable	32
200 x 200	10/16	10490223	552	280	132	295	8 - 12 x 23	22	movable	35
225 x 60	10/16	10490213	430	225	135	135	4 x 19	21	movable	23
225 x 65	10/16	10490215	430	225	135	145	4 x 19	21	movable	23
225 x 80	10/16	10490216	450	250	135	160	8 x 19	21	movable	25
225 x 100	10/16	10490221	450	250	135	180	8 x 19	21	movable	28
225 x 150	10/16	10490224	500	250	135	240	8 x 23	21	movable	32
225 x 200	10/16	10490225	550	260	135	295	8 - 12 x 23	22	movable	36
250 x 50	10/16	10490226	457	240	145	125	4 x 19	21	movable	28
250 x 60	10/16	10490229	472	245	145	135	4 x 19	21	movable	29
250 x 65	10/16	10490232	472	245	145	145	4 x 19	21	movable	29
250 x 80	10/16	10490235	487	250	145	160	8 x 19	21	movable	30
250 x 100	10/16	10490238	507	255	145	180	8 x 19	21	movable	31
250 x 125	10/16	10490241	532	260	145	210	8 x 19	21	movable	35
250 x 150	10/16	10490244	557	265	145	240	8 x 23	21	movable	40
250 x 200	10/16	10490247	607	275	145	295	8 - 12 x 23	22	movable	44
250 x 250	10	10490250	657	285	145	350	12 x 23	26	movable	52
250 x 250	16	10490251	657	285	145	355	12 x 28	26	movable	52
280 x 60	10/16	10490252	-	-	-	135	4 x 19	21	movable	33
280 x 80	10/16	10490254	500	285	150	160	8 x 19	21	movable	34
315 x 50	10/16	10490253	512	285	160	125	4 x 19	21	movable	42

continued on next page

DOUBLE SOCKET TEE FOR uPVC WITH FLANGED BRANCH

Fittings for uPVC pipes
63 - 400 PN10/16

11.4000



continued from previous page

Reference and dimensions

D x DN ext. PE/uPVC	PN	code	L mm	H mm	E mm	K mm	n° x d1 mm	b mm	Flange movable / fixed	Kg approx.
315 x 60	10/16	10490256	527	295	160	135	4 x 19	21	movable	44
315 x 65	10/16	10490259	527	295	160	145	4 x 19	21	movable	44
315 x 80	10/16	10490262	542	305	160	160	8 x 19	21	movable	45
315 x 100	10/16	10490265	562	309	160	180	8 x 19	21	movable	44
315 x 125	10/16	10490268	587	309	160	210	8 x 19	21	movable	52
315 x 150	10/16	10490271	612	309	160	240	8 x 23	21	movable	56
315 x 200	10/16	10490274	662	292	160	295	8 - 12 x 23	22	movable	65
315 x 250	10	10490277	712	305	160	350	12 x 23	26	movable	70
315 x 250	16	10490278	712	305	160	355	12 x 28	26	movable	70
315 x 300	10	10490280	762	309	160	400	12 x 23	32	movable	70
315 x 300	16	10490279	762	309	160	410	12 x 28	32	movable	70
400 x 50	10/16	10490283	753	320	173	125	4 x 19	21	movable	75
400 x 60	10/16	10490286	753	330	173	135	4 x 19	21	movable	81
400 x 65	10/16	10490289	753	330	173	145	4 x 19	21	movable	81
400 x 80	10/16	10490292	753	341	173	160	8 x 19	21	movable	84
400 x 100	10/16	10490295	753	356	173	180	8 x 19	21	movable	84
400 x 125	10/16	10490298	753	360	173	210	8 x 19	21	movable	84
400 x 150	10/16	10490301	753	360	173	240	8 x 23	21	movable	87
400 x 200	10/16	10490304	753	365	173	295	8 - 12 x 23	22	movable	91
400 x 250	10	10490307	803	375	173	350	12 x 23	26	movable	110
400 x 250	16	10490305	803	375	173	355	12 x 28	26	movable	112
400 x 300	10	10490310	853	385	173	400	12 x 23	32	movable	118
400 x 300	16	10490311	853	385	173	410	12 x 28	32	movable	120
400 x 400	10	10490316	953	394	173	515	16 x 28	38	movable	129
400 x 400	16	10490317	953	394	173	525	16 x 31	38	movable	132



Fucoli Somepal
FUNDIÇÃO DE FERRO, S.A.

Visit our website at www.fucoli-somepal.pt

Head office: Estrada de Coselhas, 3000-125 Coimbra – Portugal | Tel.: (+351) 239 490100 | Fax: (+351) 239 490198

Branch office: Rua de Aveiro 50, 3050-420 Pampilhosa – Portugal | Tel.: (+351) 239 490100 | Fax: (+351) 231 949292 | comercial@fucoli-somepal.pt



100% MADE IN EUROPE