

FLANGED SOFT SEALING GATE VALVE S14 3000

with position indicator & open-close limit switch

DN 40 - 600 PN10/16

01.600LS



Product description

- Flanged soft sealing gate valve series 3000 with position indicator and open-close switch, for drinking water and neutral liquids
- Service temperature from 0°C (excluding frost) to 70°C

Standards

- Designed according to EN 1074 part 1 & 2 and EN 1171
- Flange drilling to EN 1092-2 PN10/16
- Face-to-face according to EN 558 series 14

Tests

All valves are individually hydrostatically tested according to EN 1074-1/2 and EN 12266-1:

- Seal: 1.1 x PN (in bar); Body: 1.5 x PN (in bar). Operation torque test

Corrosion protection

- Epoxy powder coating RAL 5005
- Applied internal and external with a minimum coating thickness of 250 µm
- Potable water approved epoxy coating, fusion bonded according to DIN 3476-1, EN 14901-1 and GSK approved

Approvals

- ACS Potability Certificate 26 ACC NY 096
- GSK Epoxy Coating Certificate GSK-ID:1247 (RAL-GZ 662)

Features

- Isolation valve approved for drinking water
- Full bore
- Low operating torque
- The valves from DN 250 to DN 300 are equipped with an axial bearing, from DN 350 to DN 600 are equipped with two thrust bearings to ensure reduced operating torque
- Stainless steel stem with rolled threads produced by cold rolling process, which keeps the steel structure and increase its mechanical resistance
- Stem sealing system with 4 O-rings in EPDM
- O-ring stem sealing exchangeable under pressure
- Wedge fully vulcanized with drinking water approved EPDM
- Top of the wedge conceived with "soft stop" system, which acts as an end stop for the fully open valve
- Wedge with brass nut fixed in the wedge core preventing vibration and ensure a long life span
- Wedge and body designed with "monorail" system
- Round EPDM bonnet gasket fixed in a recess, surrounding the bolts, ensuring a perfect seal
- Body/bonnet bolts in stainless steel A2 encased and sealed ensuring full corrosion protection
- Position indicator for easy viewing of wedge position
- Limit switches for electrical signal transmission with open and close position of the valve
- Accessories: handwheel [ref. 05.100], stem cap [ref. 05.200]
- On request possibility of stem in stainless steel AISI 316L, NBR sealings and wedge nut in different brass alloys.



100% MADE IN EUROPE



Fucoli-Somepal
FUNDIÇÃO DE FERRO, S.A.

Visit our website at www.fucoli-somepal.pt

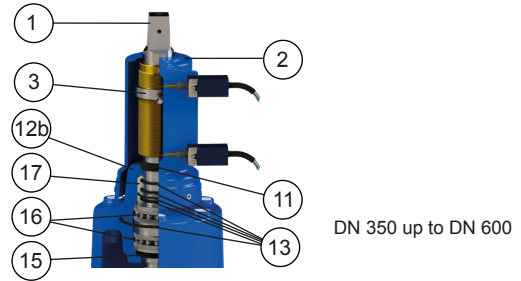
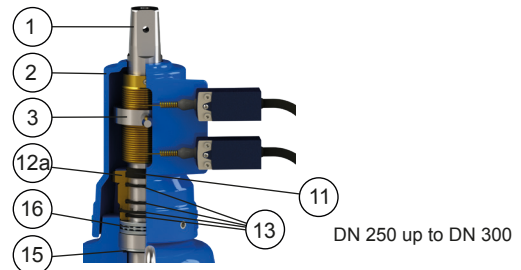
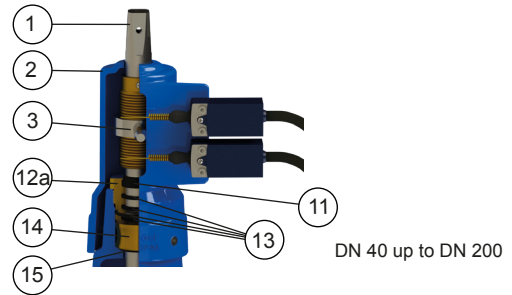
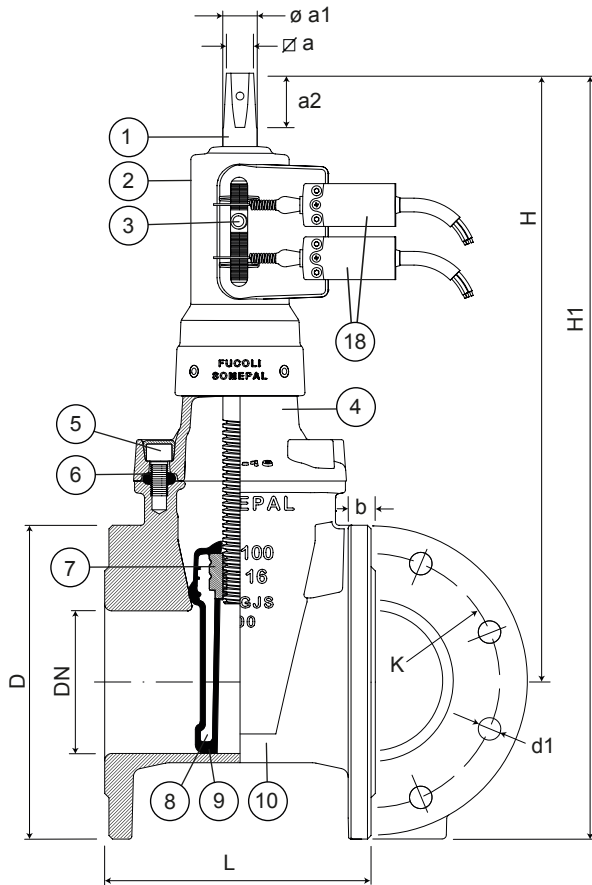
Head office: Estrada de Coselhas, 3000-125 Coimbra – Portugal | Tel.: (+351) 239 490100

Branch office: Rua de Aveiro 50, 3050-420 Pampilhosa – Portugal | Tel.: (+351) 239 490100 | comercial@fucoli-somepal.pt

FLANGED SOFT SEALING GATE VALVE S14 3000

with position indicator & open-close limit switch
DN 40 - 500 PN10/16

01.600LS



Component list

pos	components	material	standard
1	Stem	Stainless steel AISI 420	EN 10088-1
2	Coupling	Ductile iron EN-GJS-500-7	EN 1563
3	Position indicator	Stainless steel AISI 420	EN 10088-1
4	Bonnet	Ductile iron EN-GJS-500-7	EN 1563
5	Bolts	Stainless steel A2	EN 10088-1
6	Bonnet gasket	Elastomer EPDM	EN 681-1
7	Wedge nut	Brass DZR CW626N	EN 12164
8	Wedge	Ductile iron EN-GJS-500-7	EN 1563
9	Wedge covering	Elastomer EPDM	EN 681-1
10	Body	Ductile iron EN-GJS-500-7	EN 1563

pos	components	material	standard
11	Clearing joint	Elastomer	-
12a	Gland	Brass DZR CW602N	EN 12164
12b	Gland	Ductile iron EN-GJS-500-7	EN 1563
13	O-rings	Elastomer EPDM	EN 681-1
14	Stem washer	Brass DZR CW602N	EN 12164
15	O-ring	Elastomer EPDM	EN 681-1
16	Bearing	Steel	ISO 20516
17	Gland bush	POM	-
18	Open-close limit switch	-	-

Reference and dimensions

DN	PN	code	D mm	L mm	H mm	H1 mm	K mm	n° x d1 mm	b mm	a mm	ø a1 mm	a2 mm	turns to open	Kg approx.
40	10/16	10725012	150	140	298	373	110	4 x 19	19	14.1	20	29	10	12
50	10/16	10725023	165	150	327	410	125	4 x 19	19	14.1	20	29	13	13
60	10/16	10725032	175	170	341	434	135	4 x 19	19	17.1	22	34	13	15
65	10/16	10725043	185	170	341	434	145	4 x 19	19	17.1	22	34	13	15
80	10/16	10725052	200	180	361	462	160	8 x 19	19	17.1	22	34	16	20
100	10/16	10725063	220	190	427	537	180	8 x 19	19	19.1	24	38	20	23
125	10/16	10725072	250	200	469	594	210	8 x 19	19	19.1	26	38	25	28
150	10/16	10725083	285	210	538	681	240	8 x 23	19	19.1	28	38	30	36
200	10	10725092	340	230	616	786	295	8 x 23	20	24.1	32	42	34	54

continued on next page

All the drawing, technical data, dimensions and weights are not binding. Subject to change. The components may be replaced by equivalent or higher materials without prior notice.

Ed.8 Rev.8 2/3

FLANGED SOFT SEALING GATE VALVE S14 3000
with position indicator & open-close limit switching
DN 40 - 600 PN10/16

01.600LS



continued from previous page

DN	PN	code	D mm	L mm	H mm	H1 mm	K mm	n° x d1 mm	b mm	∅ a mm	∅ a1 mm	a2 mm	turns to open	Kg approx.
200	16	10725102	340	230	616	786	295	12 x 23	20	24.1	32	42	34	54
250	10	10725112	400	250	702	902	350	12 x 23	22	27.1	36	47	42	76
250	16	10725122	400	250	702	902	355	12 x 28	22	27.1	36	47	42	76
300	10	10725132	455	270	774	1016	400	12 x 23	24.5	27.1	36	47	50	108
300	16	10725142	455	270	774	1016	410	12 x 28	24.5	27.1	36	47	50	108
350	10	10725152	505	290	1114	1404	460	16 x 23	24.5	32.1	45	55	67	226
350	16	10725162	520	290	1114	1404	470	16 x 28	26.5	32.1	45	55	67	230
400	10	10725172	565	310	1114	1404	515	16 x 28	24.5	32.1	45	55	67	245
400	16	10725182	580	310	1114	1404	525	16 x 31	28	32.1	45	55	67	251
450	10	10725192	615	330	1284	1621	565	20 x 28	25.5	32.1	50	55	71	385
450	16	10725202	640	330	1284	1621	585	20 x 31	30	32.1	50	55	71	403
500	10	10725212	670	350	1284	1621	620	20 x 28	26.5	32.1	50	55	71	419
500	16	10725222	715	350	1284	1621	650	20 x 34	31.5	32.1	50	55	71	436
600	10	10725232	780	390	1290	1680	725	20 x 31	30	41.1	60	74	86	-
600	16	10725242	840	390	1290	1710	770	20 x 37	36	41.1	60	74	86	-



Fucoli-Somepal
FUNDIÇÃO DE FERRO, S. A.

Visit our website at www.fucoli-somepal.pt

Head office: Estrada de Coselhas, 3000-125 Coimbra – Portugal | Tel.: (+351) 239 490100

Branch office: Rua de Aveiro 50, 3050-420 Pampilhosa – Portugal | Tel.: (+351) 239 490100 | comercial@fucoli-somepal.pt

