

# FLANGED SOFT SEALING GATE VALVE S15 3000

## with open/close indicator

### DN 40 - 600 PN10/16

01.601



#### Product description

- Flanged soft sealing gate valve series 3000 with open/close indicator for drinking water and neutral liquids
- Service temperature from 0°C (excluding frost) to 70°C

#### Standards

- Designed according to EN 1074 part 1 & 2 and EN 1171
- Flange drilling to EN 1092-2 PN10/16
- Face-to-face according to EN 558 series 15

#### Tests

All valves are individually hydrostatically tested according to EN 1074-1/2 and EN 12266:

- Seal 1.1 x PN (in bar); Body: 1.5 x PN (in bar). Operation torque test

#### Corrosion protection

- Epoxy powder coating RAL 5005
- Applied internal and external with a minimum coating thickness of 250 µm
- Potable water approved epoxy coating, fusion bonded according to DIN 3476-1, EN 14901 and GSK approved

#### Approvals

- ACS Potability Certificate 15 ACC NY 005
- GSK Certificate GSK-ID:1247 (RAL-GZ 662)

#### Features

- Isolation valve approved for drinking water
- Full bore
- Low operating torque
- The valves from DN 250 to DN 300 are equipped with an axial bearing, from DN 350 to DN 600 are equipped with two thrust bearings to ensure reduced operating torque
- Stainless steel stem with rolled threads produced by cold rolling process, which keeps the steel structure and increase its mechanical resistance
- Stem sealing system with 4 O-rings in EPDM
- O-ring stem sealing exchangeable under pressure
- Wedge fully vulcanized with drinking water approved EPDM
- Top of the wedge conceived with "soft stop" system, which acts as an end stop for the fully open valve
- Wedge with brass nut fixed in the wedge core preventing vibration and ensure a long life span
- Wedge and body designed with "monorail" system
- Round EPDM bonnet gasket fixed in a recess, surrounding the bolts, ensuring a perfect seal
- Body/bonnet bolts in stainless steel A2 encased and sealed ensuring full corrosion protection
- Position indicator for visual display of gate position
- On request possibility of stem in stainless steel AISI 316L, NBR sealings and wedge nut in different brass grades.



**Fucoli Somepal**  
FUNDAÇÃO DE FERRO, S. A.

Visit our website at [www.fucoli-somepal.pt](http://www.fucoli-somepal.pt)

Head office: Estrada de Coselhas, 3000-125 Coimbra – Portugal | Tel.: (+351) 239 490100 | Fax: (+351) 239 490198

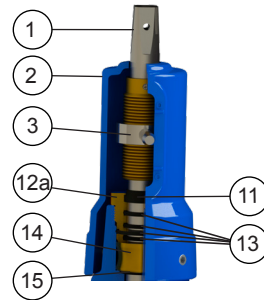
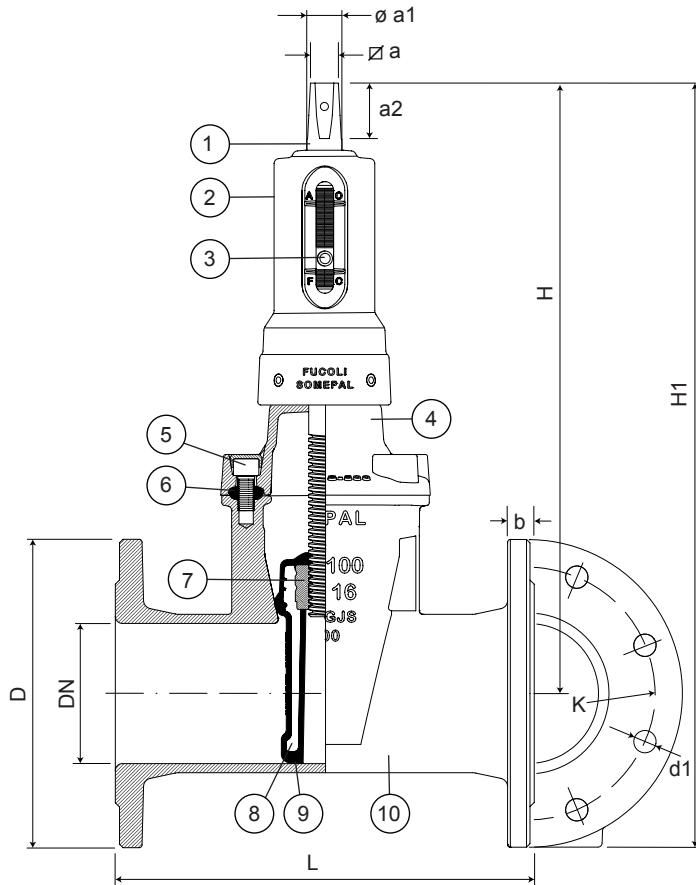
Branch office: Rua de Aveiro 50, 3050-420 Pampilhosa – Portugal | Tel.: (+351) 239 490100 | Fax: (+351) 231 949292 | [comercial@fucoli-somepal.pt](mailto:comercial@fucoli-somepal.pt)

# FLANGED SOFT SEALING GATE VALVE S15 3000

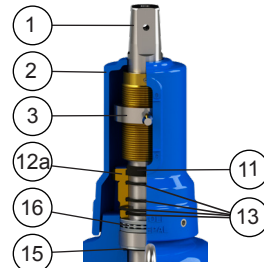
with open/close indicator

DN 40 - 600 PN10/16

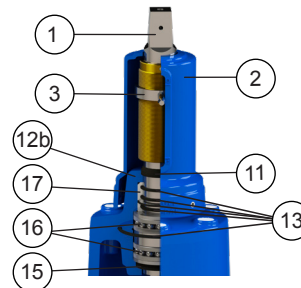
01.601



DN 40 up to DN 200



DN 250 up to DN 300



DN 350 up to DN 600

## Component list

pos.	components	material	standard
1	Stem	Stainless steel AISI 420	EN 10088 - 1
2	Coupling	Ductile iron EN-GJS-500-7	EN 1563
3	Open-close indicated	Stainless steel AISI 420	EN 10088 - 1
4	Bonnet	Ductile iron EN-GJS-500-7	EN 1563
5	Bolts	Stainless steel A2	EN 10088 - 1
6	Bonnet gasket	Elastomer EPDM	EN 681 - 1
7	Wedge nut	Brass CW603N	EN 12164
8	Wedge	Ductile iron EN-GJS-500-7	EN 1563
9	Wedge covering	Elastomer EPDM	EN 681 - 1

pos.	components	material	standard
10	Body	Ductile iron EN-GJS-500-7	EN 1563
11	Clearing joint	Elastomer	
12a	Gland	Brass CW614N	EN 12164
12b	Gland	Ductile iron EN-GJS-500-7	EN 1563
13	O-rings	Elastomer EPDM	EN 681 - 1
14	Stem washer	Brass CW603N	EN 12164
15	O-ring	Elastomer EPDM	EN 681 - 1
16	Bearing	Steel	ISO 20516
17	Gland bush	POM	

## Reference and dimensions

DN	PN	code	D	L	H	H1	K	n° x d1	b	∅ a	∅ a1	a2	turns to open	Kg approx.
			mm	mm	mm	mm	mm	mm	mm	mm	mm	mm		
40	10/16	10724800	150	240	298	373	110	4 x 19	19	14.1	20	29	10	12
50	10/16	10724810	165	250	327	410	125	4 x 19	19	14.1	20	29	13	13
60	10/16	10724820	175	270	341	434	135	4 x 19	19	17.1	22	34	13	15
65	10/16	10724830	185	270	341	434	145	4 x 19	19	17.1	22	34	13	15
80	10/16	10724840	200	280	361	462	160	8 x 19	19	17.1	22	34	16	20
100	10/16	10724850	220	300	427	537	180	8 x 19	19	19.1	24	38	20	24
125	10/16	10724860	250	325	469	594	210	8 x 19	19	19.1	26	38	25	29
150	10/16	10724870	285	350	538	681	240	8 x 23	19	19.1	28	38	30	39
200	10	10724880	340	400	616	786	295	8 x 23	20	24.1	32	42	34	60
200	16	10724885	340	400	616	786	295	12 x 23	20	24.1	32	42	34	60
250	10	10724890	400	450	702	902	350	12 x 23	22	27.1	36	47	42	81
250	16	10724895	400	450	702	902	355	12 x 28	22	27.1	36	47	42	81

continued on next page

**FLANGED SOFT SEALING GATE VALVE S15 3000**  
**with open/close indicator**  
**DN 40 - 600 PN10/16**

01.601



continued from previous page

DN	PN	code	D mm	L mm	H mm	H1 mm	K mm	n° x d1 mm	b mm	∅ a mm	∅ a1 mm	a2 mm	turns to open	Kg approx.
300	10	10724900	455	500	774	1016	400	12 x 23	24.5	27.1	36	47	50	136
300	16	10724905	455	500	774	1016	410	12 x 28	24.5	27.1	36	47	50	136
350	10	10724910	505	550	1114	1404	460	16 x 23	24.5	32.1	45	55	67	262
350	16	10724915	520	550	1114	1404	470	16 x 28	26.5	32.1	45	55	67	266
400	10	10724620	565	310	1114	1404	515	16 x 28	24.5	32.1	45	55	67	244
400	10	10724920	565	600	1114	1404	515	16 x 28	24.5	32.1	45	55	67	285
450	10	10724630	615	330	1284	1621	565	20 x 28	25.5	32.1	50	55	71	384
450	16	10724635	640	330	1284	1621	585	20 x 31	30	32.1	50	55	71	402
500	10	10724640	670	350	1284	1621	620	20 x 28	26.5	32.1	50	55	71	418
500	16	10724645	715	350	1284	1621	650	20 x 34	31.5	32.1	50	55	71	435
600	10	10724950	780	800	1491	1914	725	20 x 31	30	41.1	60	74	86	650
600	16	10724955	840	800	1491	1914	770	20 x 37	36	41.1	60	74	86	701



**Fucoli Somepal**  
 FUNDIÇÃO DE FERRO, S. A.

Visit our website at [www.fucoli-somepal.pt](http://www.fucoli-somepal.pt)

**Head office:** Estrada de Coselhas, 3000-125 Coimbra – Portugal | Tel.: (+351) 239 490100 | Fax: (+351) 239 490198

**Branch office:** Rua de Aveiro 50, 3050-420 Pampilhosa – Portugal | Tel.: (+351) 239 490100 | Fax: (+351) 231 949292 | [comercial@fucoli-somepal.pt](mailto:comercial@fucoli-somepal.pt)

