

# DISMANTLING JOINT

## with stainless steel bolts

### DN 40 - 1200 PN10/16

11.5001



#### Product description

- Dismantling joint with stainless steel bolts for waste water
- Service temperature from 0°C (excluding frost) to 70°C

#### Standards

- Flange drilling to EN 1092-2 PN10/16/25

#### Tests

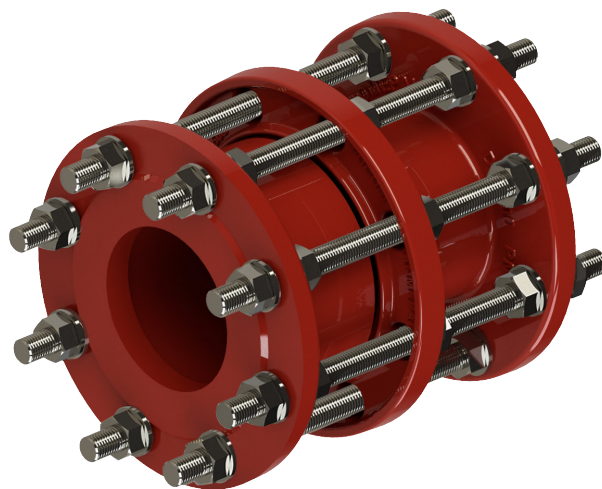
- Tested according to EN 12266-1

#### Corrosion protection

- Epoxy powder coating RAL 3011
- Applied internal and external with a minimum coating thickness of 250 µm
- Fusion bonded epoxy coating according EN 14901 and GSK (RAL-GZ662) guidelines

#### Features

- Dismantling joint for waste water
- Facilitates installation and disassembly of flanged pipework and fittings, or equipment with flanges, such as valves, meters and pumps
- Allows for 50mm axis/longitudinal adjustments across the entire range
- Appropriate for pipe force transmission
- It consists of two main flanged parts, which slide between them, and a loose flange that compresses the sealing
- NBR sealing gaskets
- Equipped with continuous threaded bolts, no additional screws are required for joint assembly
- On request possibility of bolts and washers in stainless steel A4.



**Fucoli Somepal**  
FUNDAÇÃO DE FERRO, S.A.

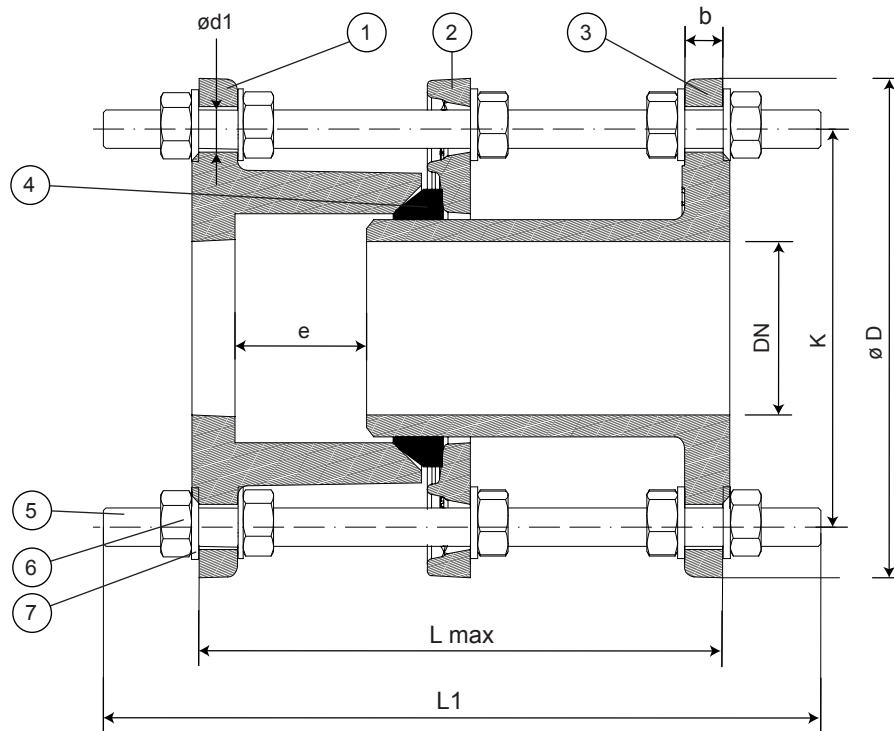
Visit our website at [www.fucoli-somepal.pt](http://www.fucoli-somepal.pt)

**Head office:** Estrada de Coselhas, 3000-125 Coimbra – Portugal | Tel.: (+351) 239 490100 | Fax: (+351) 239 490198

**Branch office:** Rua de Aveiro 50, 3050-420 Pampilhosa – Portugal | Tel.: (+351) 239 490100 | Fax: (+351) 231 949292 | [comercial@fucoli-somepal.pt](mailto:comercial@fucoli-somepal.pt)

**DISMANTLING JOINT**  
with stainless steel bolts  
**DN 40 - 1200 PN10/16**

11.5001



**Component list**

pos.	components	material	norma	pos.	components	material	norma
1	External flange	Ductile iron EN-GJS-500-7	EN 1563	4	Sealing	Elastomer NBR	EN 681 - 1
2	Loose flange	Ductile iron EN-GJS-500-7	EN 1563	5	Threaded bolts	Stainless steel A2	EN 10088-1
3	Inside flange	Ductile iron EN-GJS-500-7	EN 1563	6	Nuts	Stainless steel A4	EN 10088-1
				7	Washers	Stainless steel A2	EN 10088-1

**Reference and dimensions**

DN	PN	code	L max	e	$\varnothing D$	K	n° x d1	b	Kg	threaded bolts	L1
mm			mm	mm	mm	mm	mm	mm	approx.		mm
40	10/16	10181200	205	50	150	110	4 x 19	19	9	4 x M16	300
50	10/16	10181202	205	50	165	125	4 x 19	19	10	4 x M16	300
60	10/16	10181203	205	50	175	135	4 x 19	19	11	4 x M16	300
65	10/16	10181204	205	50	185	145	4 x 19	19	12	4 x M16	300
80	10/16	10181205	225	50	200	160	8 x 19	19	17	8 x M16	320
100	10/16	10181206	225	50	220	180	8 x 19	19	20	8 x M16	320
125	10/16	10181207	225	50	250	210	8 x 19	19	22	8 x M16	320
150	10/16	10181208	225	50	285	240	8 x 23	19	30	8 x M20	360
200	10	10181209	245	50	340	295	8 x 23	20	41	8 x M20	360
200	16	10181239	245	50	340	295	12 x 23	20	46	12 x M20	380
250	10	10181210	245	50	400	350	12 x 23	22	56	12 x M20	360
250	16	10181240	245	50	400	355	12 x 28	22	62	12 x M24	395
300	10	10181211	245	50	455	400	12 x 23	24.5	66	12 x M20	360
300	16	10181241	245	50	455	410	12 x 28	24.5	77	12 x M24	395
350	10	10181212	255	50	505	460	16 x 23	24.5	92	16 x M20	380
350	16	10181242	255	50	520	470	16 x 28	26.5	100	16 x M24	430
400	10	10181213	255	50	565	515	16 x 28	24.5	109	16 x M24	430
400	16	10181243	255	50	580	525	16 x 31	28	129	16 x M27	430
450	10	10181214	275	50	615	565	20 x 28	25.5	136	16 x M27	430

continued on next page

**DISMANTLING JOINT**  
with stainless steel bolts  
**DN 40 - 1200 PN10/16**

**11.5001**



continued from previous page

DN	PN	code	L max	e	ø D	K	n° x d1	b	Kg	threaded bolts	L1
mm			mm	mm	mm	mm	mm	mm	approx.		mm
450	16	10181244	275	50	640	585	20 x 31	30	170	20 x M27	430
500	10	10181215	285	50	670	620	20 x 28	26.5	152	20 x M24	430
500	16	10181245	285	50	715	650	20 x 34	31.5	219	20 x M30	480
600	10	10181223	285	50	780	725	20 x 31	30	192	20 x M27	430
600	16	10181246	285	50	840	770	20 x 37	36	299	20 x M33	500
700	10	10181216	285	50	895	840	24 x 31	32.5	255	24 x M27	430
700	16	10181247	285	50	910	840	24 x 37	39.5	367	24 x M33	500
800	10	10181217	315	50	1015	950	24 x 34	35	340	24 x M30	480
800	16	10181248	315	50	1025	950	24 x 41	43	477	24 x M36	550
900	10	10181218	350	50	1115	1050	28 x 34	37.5	427	28 x M30	480
900	16	10181249	350	50	1125	1050	28 x 41	46.5	547	28 x M36	550
1000	10	10181219	360	50	1230	1160	28 x 37	40	529	28 x M33	540
1000	16	10181250	360	50	1255	1170	28 x 44	50	732	28 x M39	600
1200	10	10181120	450	50	1455	1380	32 x 41	45	890	32 x M36	670
1200	16	10181251	450	50	1485	1390	32 x 50	57	1196	32 x M45	710



**Fucoli Somepal**  
FUNDIÇÃO DE FERRO, S. A.

Visit our website at [www.fucoli-somepal.pt](http://www.fucoli-somepal.pt)

**Head office:** Estrada de Coselhas, 3000-125 Coimbra – Portugal | Tel.: (+351) 239 490100 | Fax: (+351) 239 490198

**Branch office:** Rua de Aveiro 50, 3050-420 Pampilhosa – Portugal | Tel.: (+351) 239 490100 | Fax: (+351) 231 949292 | [comercial@fucoli-somepal.pt](mailto:comercial@fucoli-somepal.pt)

